

03 Diaphragm Pumps

ACCESSORIES & FITTINGS

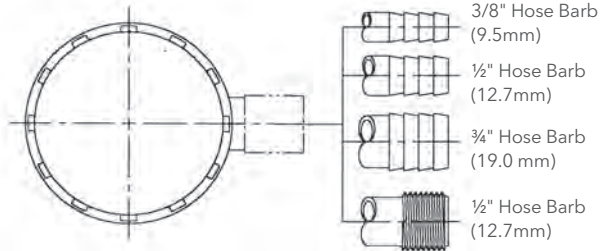
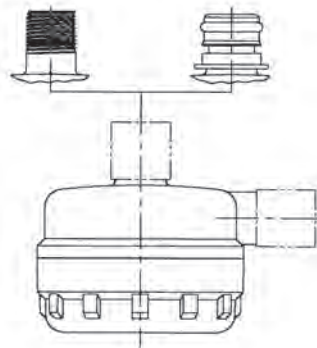


1720/1740/1745 SERIES INLET STRAINERS

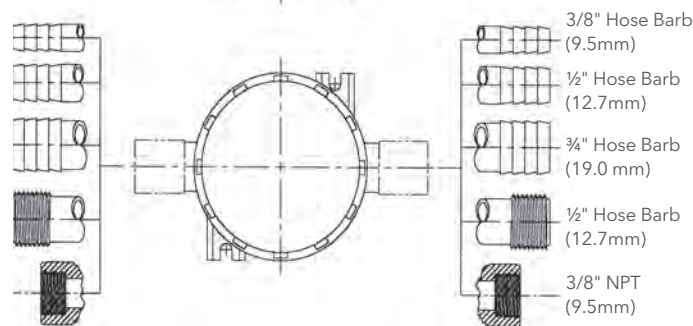
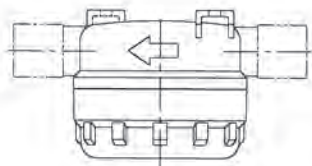
FOR INTERNATIONAL & US MARKETS



3/8" NPT (9.5mm) Quad Port



Inlet Strainer
(Plugs into Quad pump port)



FEATURES

- Low profile design for space saving installation.
- Very strong reinforced plastic base with clear cover.
- Wide variety of port configurations from 3/4" (19.4=1mm) to 3/8" (9.5mm).

SPECIFICATIONS

MATERIALS	Base	Polypropylene, black
	Cover	Polysulfane, smoke tinted
	Screen	Stainless Steel, 20 and 40 mesh Polypropylene Screen, 20 mesh
	O-rings	Buna-N FDA Compound
TEMPERATURE	160°F (70°C) max.	
DIMENSIONS	2.75" (70 mm) diameter x 2.25" (57 mm) high 4.75" (121 mm) max. port to port (3/4" hose barb) Plug-in style, 3.75" (96 mm) max. length	

INST. SHEET #12345-000

MODELS

MODEL #	DESCRIPTION
01720-000	3/4" (19.0mm) x 3/4" (19.0mm) hose barb SS 20m
01720-002	1/2" (12.7mm) x 1/2" (12.7mm) hose barb SS 20m
01720-023	3/8" (9.5mm) hb x 3/8" (9.5mm) NPT (m) 90° SS 20m
01720-102	1/2" (12.7mm) x 1/2" (12.7mm) hose barb PP 20m
01720-103	3/8" (9.5mm) x 3/8" (9.5mm) hose barb PP 20m
01720-112	1/2" (12.7mm) x Quad port 90° PP 20m
01720-123	3/8" (9.5mm) hb x 3/8" (9.5mm) NPT (m) 90° PP 20m
01720-375	3/8" (9.5mm) NPT(f) x 3/8" (9.5mm) NPT(f) SS 20m
01740-000	3/4" (19.0mm) x 3/4" (19.0mm) hose barb SS 40m
01740-002	1/2" (12.7mm) x 1/2" (12.7mm) hose barb SS 40m
01740-003	3/8" (9.5mm) x 3/8" (9.5mm) hose barb SS 40m
01740-004	1/2" (12.7mm) x 1/2" (12.7mm) SS 40m
01740-010	3/4" (19.0mm) x Quad port 90° SS 40m
01740-012	1/2" (12.7mm) x Quad port 90° SS 40m
01740-014	1/2" (12.7mm) x Quad port 90° SS 40m
01740-375	3/8" (9.5mm) NPT(f) x 3/8" (9.5mm) NPT(f) SS 40m
017450-00S	Strainer In-line 3/4" (19.0mm) HB X 3/4" (19.0mm) HB SS 40M PETG VIT
017450-10S	Strainer In-line 3/4" (19.0mm) HB X QUAD PORT 90° 40M PETG VIT
017450-12S	Strainer In-Line 1/2" (12.7mm) HB X QUAD PORT 90° 40M PETG VIT
017450-23S	Strainer In-Line 3/8" (9.5mm) HB X 3/8" (9.5mm) MNPT SS 40M PETG VIT

SS - Stainless Steel PP - Polypropylene m - Mesh

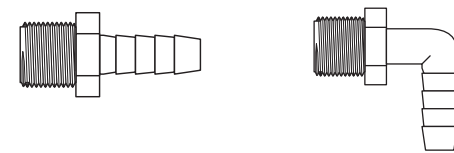


ELECTRIC PUMP FITTINGS

FOR INTERNATIONAL & US MARKETS

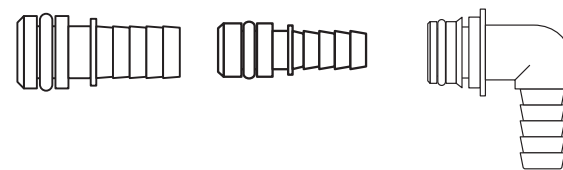
NYLON BARBED STRAIGHT/ELBOW

For use with all Duplex II Series Pumps (3/8" (9.5mm) NPT only).



PLASTIC (POLYPROPYLENE, EPDM)* INLETS & OUTLETS

For use with all Quad and G57 Series Pumps



MODELS

PART # STRAIGHT	PART # ELBOW	DESCRIPTION
91010-032	91010-033	3/8" (9.5mm) NPT Male x 1/4" (6.4mm) Barb
91010-004	91010-003	1/4" (6.4mm) NPT Male x 3/8" (9.5mm) Barb
91010-002	91010-001	3/8" (9.5mm) NPT Male x 3/8" (9.5mm) Barb
91010-034	91010-025	1/4" (6.4mm) NPT Male x 3/8" (12.7mm) Barb
91010-006	91010-005	3/8" (9.5mm) NPT Male x 1/2" (6.4mm) Barb
91010-053	91010-052	1/4" (6.4mm) NPT Male x 1/4" (6.4mm) Barb
91006-477A	N/A	Wire Harness 9' (2.74m) with fuse rocker switch and inline connector

MODELS

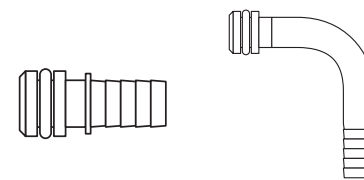
PART # STRAIGHT	PART # ELBOW	DESCRIPTION
20381-000	20381-008	Quad Port x 1/2"-14 Male Straight
20381-002	20381-009	Quad Port x 1/2" Hose Barb
20381-006	20381-010	Quad Port x 3/4" Hose Barb
20381-007	N/A	Quad Port x Garden Hose Adapter

*Other Elastomers Available **Packaged 2 per bag

GAS PUMP FITTINGS

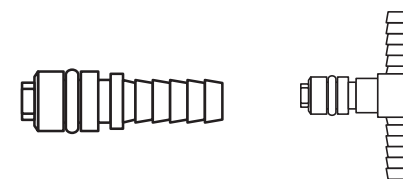
STAINLESS STEEL INLETS & OUTLETS (LIQUID FITTINGS)

For use with all 5100 Series Pumps



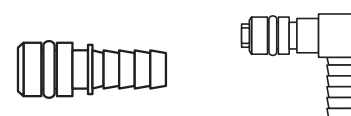
BRASS CO2/AIR INLETS WITH SHUT-OFF VALVE (AIR FITTINGS)

For use with all 5100 and G Series Pumps



PLASTIC (CELCON) CO2/AIR INLETS

For use with all 5100 and G Series Pumps



MODELS

PART # STRAIGHT	PART # ELBOW	DESCRIPTION
20324-030	20607-100	1/4" (6.4mm) Hose Barb
20325-030	20608-100	3/8" (9.5mm) Hose Barb
20606-100	N/A	1/2" (12.7 mm) Hose Barb

MODELS

PART #S	DESCRIPTION
1510-000	1/4" (6.4mm) Hose Barb, Straight
1520-000	1/4" (6.4mm) Hose Barb, Tee
1521-000	1/4" (6.4mm) Hose Barb, Elbow

MODELS

PART #S	DESCRIPTION
20325-033	1/4" (6.4mm) Hose Barb, Straight