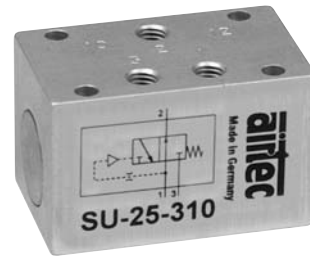
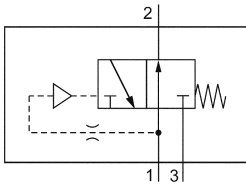


# Signal interrupters series SU

3/2-way

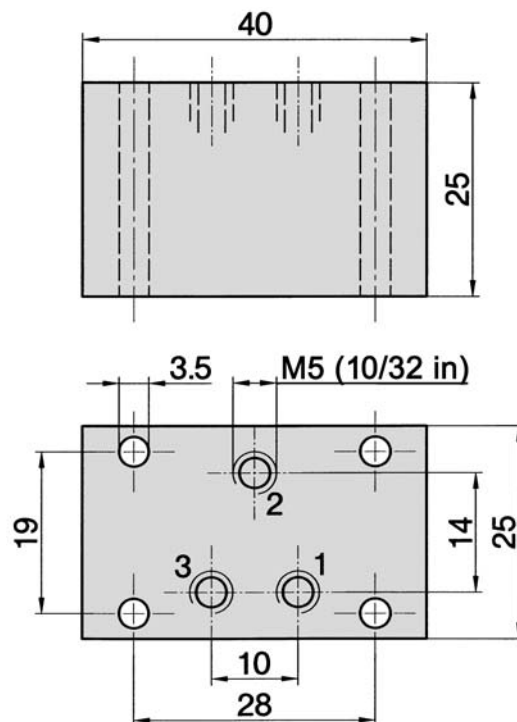
M5 (10/32 UNF) • 160 NI/min (0.163 Cv)



## Design, function and technical data

3/2-way one-shot valve. It converts a continuous pneumatic signal into a 0.3 s pulse.

### SU-25-310



- 1 = signal input
- 2 = signal output
- 3 = exhaust (pressure supply)

<b>Order number</b>	<b>SU-25-310</b>
<b>Connection</b>	M5 (10/32 UNF)
<b>Nominal size</b>	3.2 mm
<b>Nominal flow</b>	160 NI/min (0.163 Cv)
<b>Working pressure range</b>	3 ... 10 bar (44 ... 145 psi)
<b>Duration of pulse</b>	0.3 s
<b>Reset time</b>	0.1 s
<b>Temperature range</b>	- 10 °C ... + 70 °C (+ 14 °F ... + 158 °F)
<b>Materials</b>	Body: Al (anodized), Seals: NBR and POM, Inner parts: Al, stainless steel, brass
<b>Medium</b>	Compressed air in accordance with ISO 8573-1:2010, Class 7:2:4 – and free of aggressive additives.
<b>Weight</b>	0,063 kg (0.139 lb.)