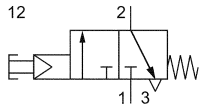


# Series ST-18-310

Push button valves with low actuating force, 3/2-way  
G1/8 • 220 NI/min (0.224 Cv)



### Design, function and technical data

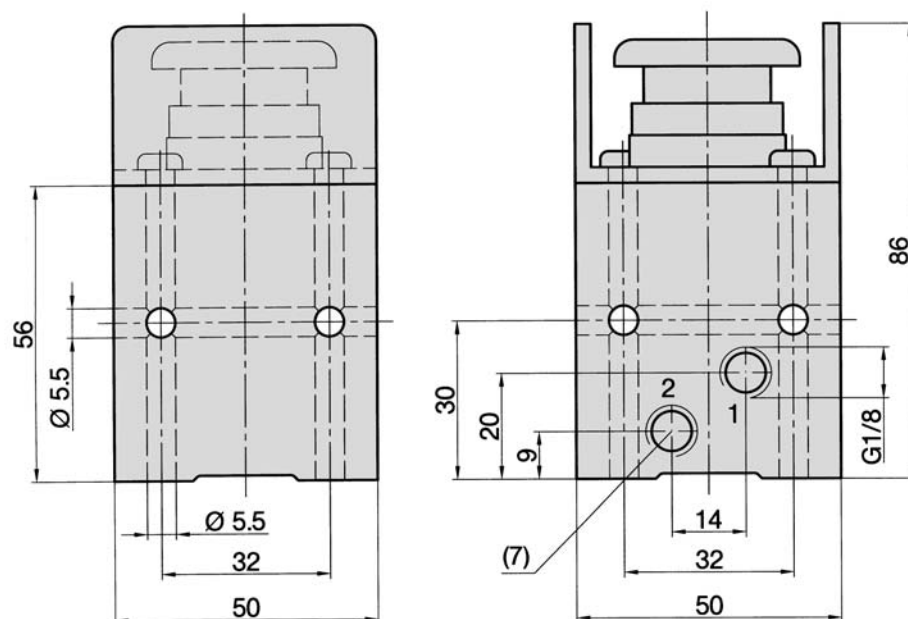
Servo-operated spool valve with a low actuating force. In the resting position the valve vents an insignificant amount of air (2.5 NI/min). The attached guard prevents accidental actuation.

Pressure supply is always at port 1, outlet at port 2. The exhaust air is vented through a small orifice at the bottom of the valve.

### Application

As a start button for all types of machines and jigs, particularly in pairs as a part of a two-hand control system.

<b>Order number</b>	<b>ST-18-310</b>
<b>Function</b>	3/2-way spring return
<b>Connection</b>	G1/8
<b>Nominal size</b>	3 mm
<b>Flow rate</b>	220 NI/min (0.224 Cv)
<b>Pressure range</b>	3 ... 10 bar (43 ... 145 psi)
<b>Actuating force at 6 bar</b>	3.5 N
<b>Temperature range</b>	- 10 °C ... + 70 °C (+ 14 °F ... + 158 °F)
<b>Materials</b>	Body: Al (anodized), Inner parts: Al, brass, stainless steel, Seals: NBR and POM
<b>Medium</b>	Compressed air in accordance with ISO 8573-1: 2010, Class 7:2:4 – and free of aggressive additives.
<b>Weight</b>	0.390 kg (0.860 lb.)



1 = pressure inlet

2 = outlet

(7) = outlet 2 is at the front and the rear of the valve. The rear outlet is plugged at the factory.