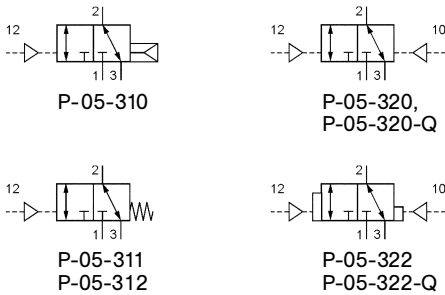
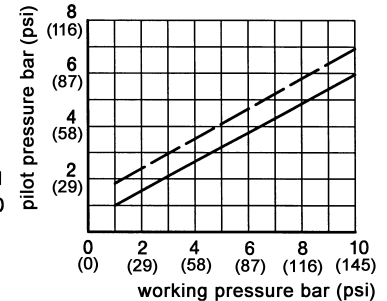


# Series P-05

Pneumatically operated valves, 3/2-way  
G1/8 • 750 NI/min (0.762 Cv)



--- P-05-311  
— P-05-310



## Design, function and technical data

Pneumatically operated spool valve. The valve switches upon pressurization of the pilot port (10 or 12).

Valve P-05-311 is available for use with vacuum, order number P-05-312.

The pressure can be connected at 1 (normally closed) or at 3 (normally open).

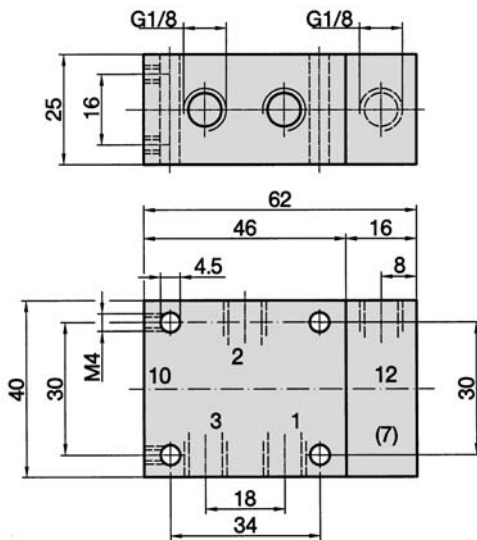
For manifold mounting see series R-181/n (page 4.113).

Valves P-05-320 and P-05-322 are available for use with vacuum (-0.95 ... 10 bar / -14 ... 175 psi).

Order number changes to P-05-320-Q and P-05-322-Q.

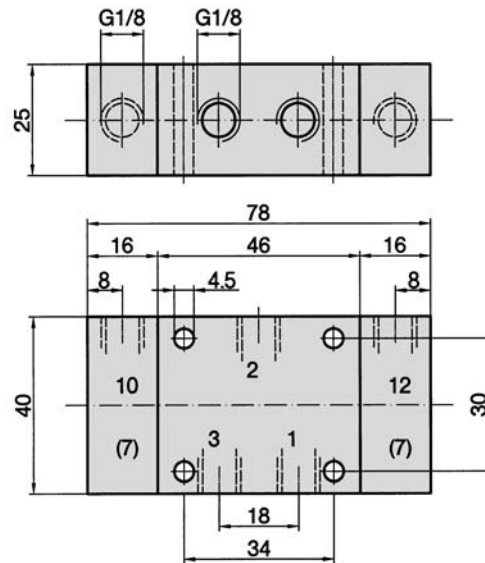
Valves of this series are available in explosion proof design in accordance with 2014/34/EU (ATEX). For further details see chapter 13 of this catalogue.

### P-05-310, P-05-311, P-05-312



1, 3 = pressure inlet or exhaust  
2 = outlet  
12 = pilot port  
(7) = The pilot port can be repositioned by (180°).

### P-05-320, P-05-320-Q, P-05-322, P-05-322-Q

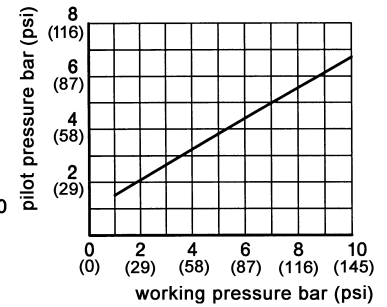
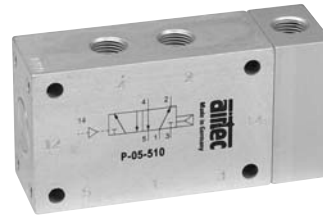
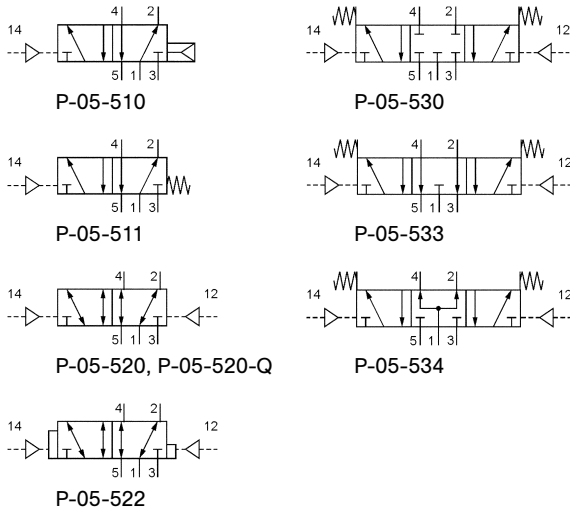


1, 2, 3 = for interchangeable use  
12, 10 = pilot port  
(7) = The pilot port can be repositioned by (180°).

Order number	P-05-310	P-05-311	P-05-312	P-05-320	P-05-322
Function	3/2-way, single pilot air spring return	3/2-way, single pilot spring return		3/2-way, double pilot	3/2-way, double pilot dominant
Connection	G1/8				
Nominal size	6 mm				
Flow rate	750 NI/min (0.762 Cv)				
Pressure range	2 ... 10 bar (29 ... 145 psi)	1 ... 10 bar (14 ... 145 psi)	- 0,95 ... 10 bar (- 14 ... 145 psi)	0 ... 10 bar (0 ... 145 psi)	
Pilot pressure range	see diagram			2 ... 10 bar (29 ... 145 psi)	
Temperature range	- 10 °C ... + 70 °C (+ 14 °F ... + 158 °F)				
Materials	Body: Al (anodized), Inner parts: Al, brass, stainless steel, Seals: NBR and POM				
Medium	Compressed air in accordance with ISO 8573-1: 2010, Class 7:2:4 - and free of aggressive additives.				
Weight	0.156 kg (0.344 lb.)	0.158 kg (0.348 lb.)	0.195 kg (0.430 lb.)	0.200 kg (0.441 lb.)	

# Series P-05

Pneumatically operated valves, 5/2- and 5/3-way  
G1/8 • 650 and 750 NI/min (0.661 and 0.762 Cv)



### Design, function and technical data

Pneumatically operated spool valve. The valve switches upon pressurization of the pilot port (12 or 14).

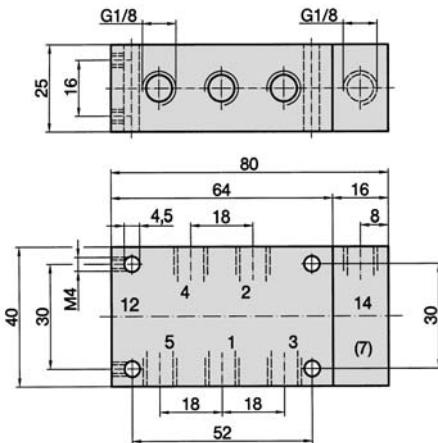
For manifold mounting see series R-181/n resp. R-183/n (page 4.113).

Valve P-05-520 is available for use with vacuum (-0.95 ... 10 bar/-14 ... 175 psi).

Order number changes to P-05-520-Q.

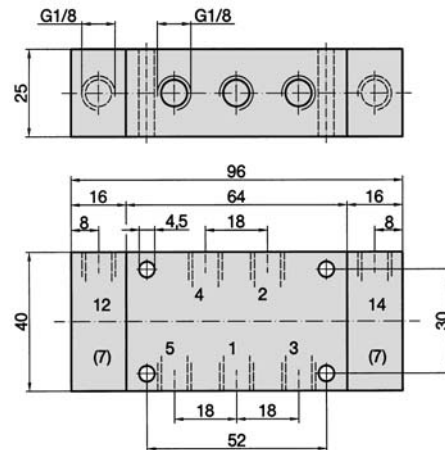
Valves of this series are available in explosion proof design in accordance with 2014/34/EU (ATEX). For further details see chapter 13 of this catalogue.

#### P-05-510, P-05-511



- 1 = pressure inlet
- 2, 4 = outlet
- 3, 5 = exhausts
- 14 = pilot port
- (7) = The pilot port can be repositioned by (180°).

#### P-05-520, P-05-520-Q, P-05-522, P-05-530, P-05-533, P-05-534



- 1 = pressure inlet
- 2, 4 = outlet
- 3, 5 = exhausts
- 12, 14 = pilot port
- (7) = The pilot port can be repositioned by (180°).
- P-05-520, P-05-520-Q, P-05-522  
1, 2, 3, 4, 5 = for interchangeable use
- 12, 14 = pilot port

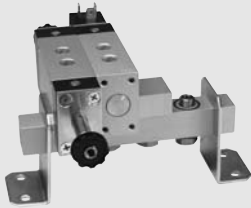
Order number	P-05-510	P-05-511	P-05-520	P-05-522	P-05-530	P-05-533	P-05-534
Function	5/2-way single pilot air spring return	5/2-way single pilot spring return	5/2-way double pilot	5/2-way double pilot dominant	5/3-way center position closed	5/3-way center position exhausted	5/3-way center position pressurized
Connection	G1/8				5 mm		
Nominal size	6 mm				5 mm		
Flow rate	750 NI/min (0.762 Cv)				650 NI/min (0.661 Cv)		
Pressure range	2 ... 10 bar (29 ... 145 psi)	0 ... 10 bar (0 ... 145 psi)		2 ... 10 bar (29 ... 145 psi)		3 ... 10 bar (43 ... 145 psi)	
Pilot pressure range	see diagram	3 ... 10 bar (43 ... 145 psi)	2 ... 10 bar (29 ... 145 psi)		3 ... 10 bar (43 ... 145 psi)		
Temperature range	- 10 °C ... + 70 °C (+ 14 °F ... + 158 °F)						
Materials	Body: Al (anodized), Inner parts: Al, brass, stainless steel, Seals: NBR and POM						
Medium	Compressed air in accordance with ISO 8573-1: 2010, Class 7:2:4 – and free of aggressive additives.						
Weight	0,200 kg (0,441 lb.)	0,205 kg (0,452 lb.)	0,245 kg (0,540 lb.)				

# Manifolds for valve

Series M-05 and P-05



## P-manifolds for M-05 and P-05



P-manifold will be delivered completely assembled with valves if requested.



P-manifold with hollow bolts and O-rings. Available from 1 to 12 stations. See page 4.113.  
**R-181/n**



Hollow bolt without O-ring  
**H-183**

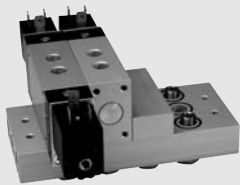


Blind plate for blank station  
**R-181-V**  
page 4.113



Brackets (pair)  
**R-181-W**  
page 4.113

## P-R-S manifolds for M-05 and P-05



P-R-S-manifold will be delivered completely assembled with valves if requested



P-R-S-manifold with hollow bolts and O-rings. Available number of stations: see table on page 4.113  
**R-183/n**



Hollow bolt without O-ring  
**H-183**



Blind plate for blank station  
**R-183-V**  
page 4.113

