

# Series T

Panel-mounted valves, Ø 22.5 mm



**Basic valves**  
3/2-way, M5 (10/32 UNF)  
M5 and G1/8

3

**Basic valves**  
3/2-way, M5 (10/32 UNF)  
M5 and G1/8

5



**Push buttons**  
Ø 22.5 mm

18-T-23-011 6

**Mushrooms**  
Ø 22.5 mm

18-T-23-012 6



**2-position switches**  
Ø 22.5 mm

18-T-23-013 7

**Key returns**  
Ø 22.5 mm

18-T-23-014 7



**Stop/Key returns**  
lockable  
Ø 22.5 mm

18-T-23-015 8

**Toggles**  
Ø 22.5 mm

18-T-23-016 8





**Push buttons**  
Ø 30 mm  
18-T-30-011 10

**Mushrooms**  
Ø 30 mm  
18-T-30-012 10



**2-position switches**  
Ø 30 mm  
18-T-30-013 11

**Key returns**  
Ø 30 mm  
18-T-30-014 11



**Toggles**  
Ø 30 mm  
18-T-30-016 12

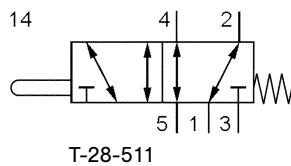
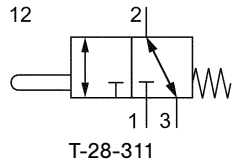
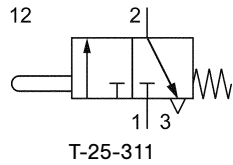
**Emergencies**  
Ø 30 mm  
18-T-30-018 12



# Series T-25 and T-28

Basic valves, 3/2- and 5/2-way

M5 (10/32 UNF) and G1/8 • 95 to 465 NI/min



## Design, function and technical data

T-25-311: pressure inlet at 1. The exhaust air is vented through a small orifice on the side.

T-28-311 and T-28-511: All ports are interchangeable.

The actuators are attached to the body by sliding the locking lever. Valves of this series are available in explosion proof design in accordance with 2014/34/EU (ATEX). For further details see chapter 13 of this catalogue.



Actuators for the model T-25-311, T-28-311 and T-28-511, see page 2.121 and 2.122.

Order number	T-25-311	T-28-311	T-28-511
<b>Design and function</b>	3/2-way seat valve, spring return	3/2-way spool valve, spring return	5/2-way spool valve, spring return
<b>Connection</b>	M5 (10/32 UNF)	G1/8	
<b>Nominal size</b>	2.5 mm		4 mm
<b>Flow rate</b>	95 NI/min (0.097 Cv)	450 NI/min (0.457 Cv)	465 NI/min (0.473 Cv)
<b>Pressure range</b>	0 ... 12 bar (0 ... 175 psi)		2 ... 10 bar (0 ... 145 psi)
<b>Actuating force bei 6 bar</b>	22 N	25 N	15 N
<b>Temperature range</b>	- 10 °C ... + 70 °C (+ 14 °F ... + 158 °F)		
<b>Materials</b>	Body: Al (anodized), Inner parts: Al, stainless steel, brass Seals: NBR		
<b>Medium</b>	Compressed air in accordance with ISO 8573-1:2010, Class 7:2:4 – and free of aggressive additives.		
<b>Weight</b>	0.034 kg (0.075 lb.)	0.054 kg (0.119 lb.)	0.066 kg (0.145 lb.)

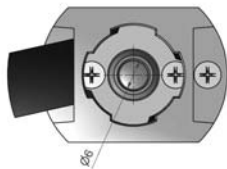
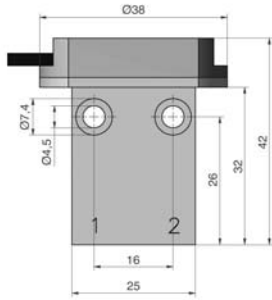
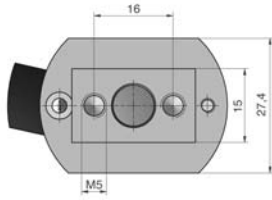
# Series T-25 and T-28

Basic valves, 3/2- and 5/2-way

M5 (10/32 UNF) and G1/8 • 95 to 465 NI/min



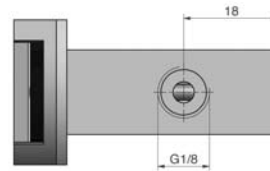
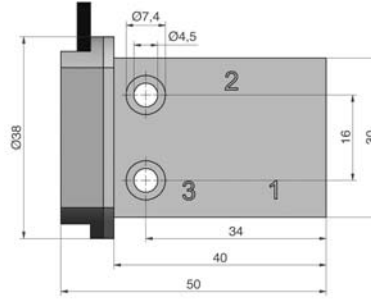
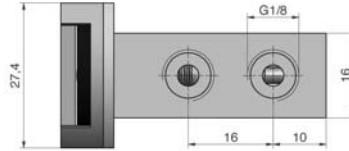
## 3/2-way seat valve M5, order number T-25-311



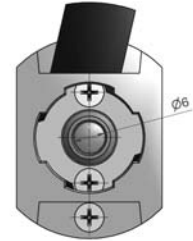
Stroke  
4 mm

1 = pressure inlet  
2 = outlet

## 3/2-way spool valve G 1/8, order number T-28-311

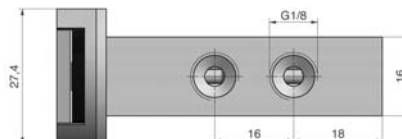
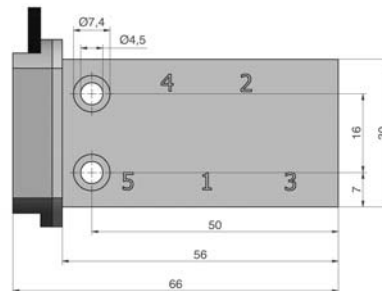
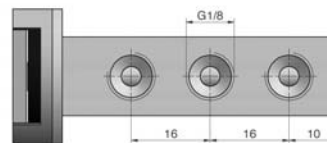


Stroke  
4 mm

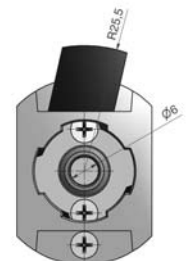


1, 2, 3 = for interchangeable use  
2 = outlet

## 5/2-way valve, order number T-28-511



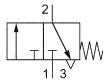
Stroke  
4 mm



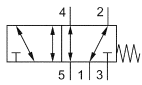
1, 2, 3, 4, 5 = for interchangeable use

# Series T-30

Basic valves, 3/2- and 5/2-way  
M5 (10/32 UNF) • 80 and 100 NI/min



T-30-310



T-30-510



### Design, function and technical data

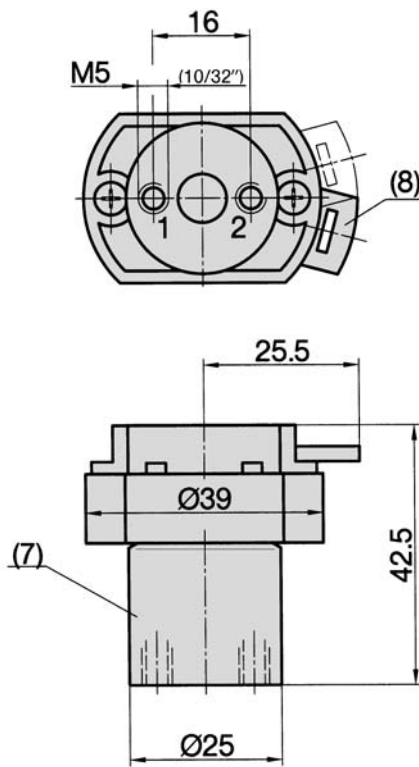
T-30-310 – direct operated seat valve, pressure inlet always at port 1.

T-30-510 – direct operated spool valve, all ports are interchangeable.

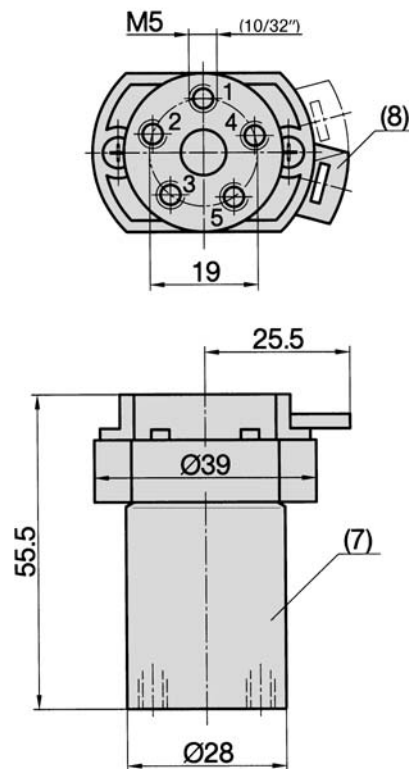
The actuators are attached to the body by sliding the locking lever.

Valves of this series are available in explosion proof design in accordance with 2014/34/EU (ATEX). For further details see chapter 13 of this catalogue.

#### Basic body, order number T-30-310



#### Basic body, order number T-30-510



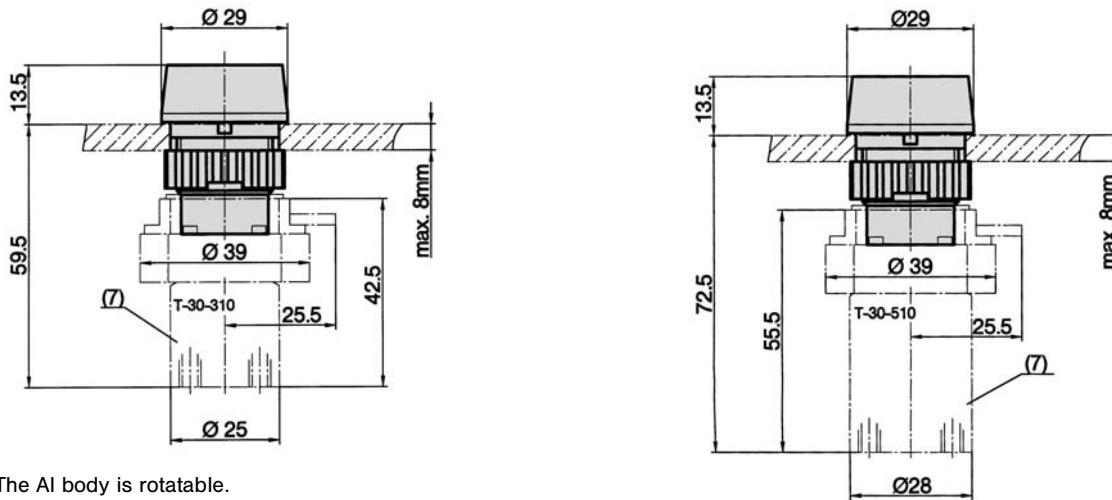
- 1 = pressure inlet
- 2 = outlet
- (7) = the Al body is free to rotate
- (8) = locking lever

- 1, 2, 3, 4, 5 = for interchangeable use
- (7) = the Al body is free to rotate
- (8) = locking lever

Order number	T-30-310	T-30-510
Function	3/2-way spring return	5/2-way spring return
Connection	M5 (10/32 UNF)	
Nominal size	2 mm	2.4 mm
Flow rate	80 NI/min (0.081 Cv)	100 NI/min (0.102 Cv)
Pressure range	0 ... 12 bar (0 ... 175 psi)	
Actuating force at 6 bar	10 N	21 N
Temperature range	- 10 °C ... + 70 °C (+ 14 °F ... + 158 °F)	
Materials	Body: Al (anodized), Inner parts: Al, brass, stainless steel	
	Seals: NBR	Seals: NBR and POM
Medium	Compressed air in accordance with ISO 8573-1:2010, Class 7:2:4 – and free of aggressive additives.	
Weight	0.052 kg (0.115 lb.)	0.076 kg (0.167 lb.)

**Dimensions for actuator Ø 22.5 mm**

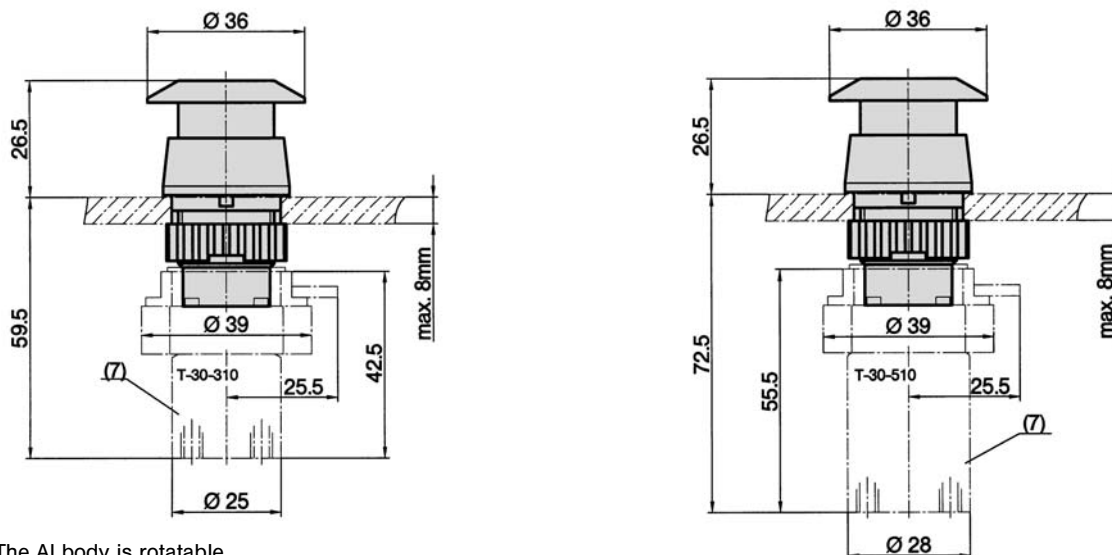
**Push button, order number 18-T-23-011-xx** (colour code according table)



(7) = The AI body is rotatable.  
Please specify actuator colours when ordering.

Mounted with	T-25-311*	T-28-311*	T-28-511*	T-30-310	T-30-510
Symbol					
Actuating force at 6 bar	24 N	23 N	15 N	13 N	23 N
Weight	0.049 kg (0.108 lb.)	0.069 kg (0.152 lb.)	0.081 kg (0.178 lb.)	0.067 kg (0.148 lb.)	0.090 kg (0.198 lb.)
Available colours	green with white line (ON) -21, red with white circle (OFF) -42, black -30, yellow -50, green -20 or blue -60				

**Mushroom, order number 18-T-23-012-xx** (colour code according table)



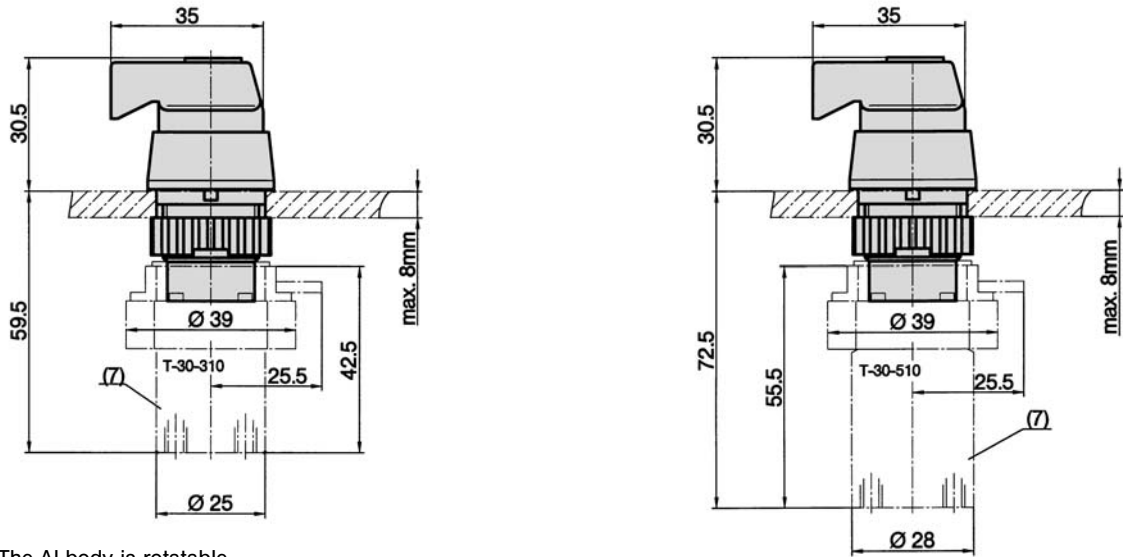
(7) = The AI body is rotatable.  
Please specify actuator colours when ordering.

Mounted with	T-25-311*	T-28-311*	T-28-511*	T-30-310	T-30-510
Symbol					
Actuating force at 6 bar	24 N	23 N	15 N	13 N	23 N
Weight	0.054 kg (0.119 lb.)	0.074 kg (0.163 lb.)	0.086 kg (0.190 lb.)	0.072 kg (0.159 lb.)	0.095 kg (0.209 lb.)
Available colourss	green -20, black -30, red -40				

\* for these versions dimensions see on page 9.

**Dimensions for actuator Ø 22.5 mm**

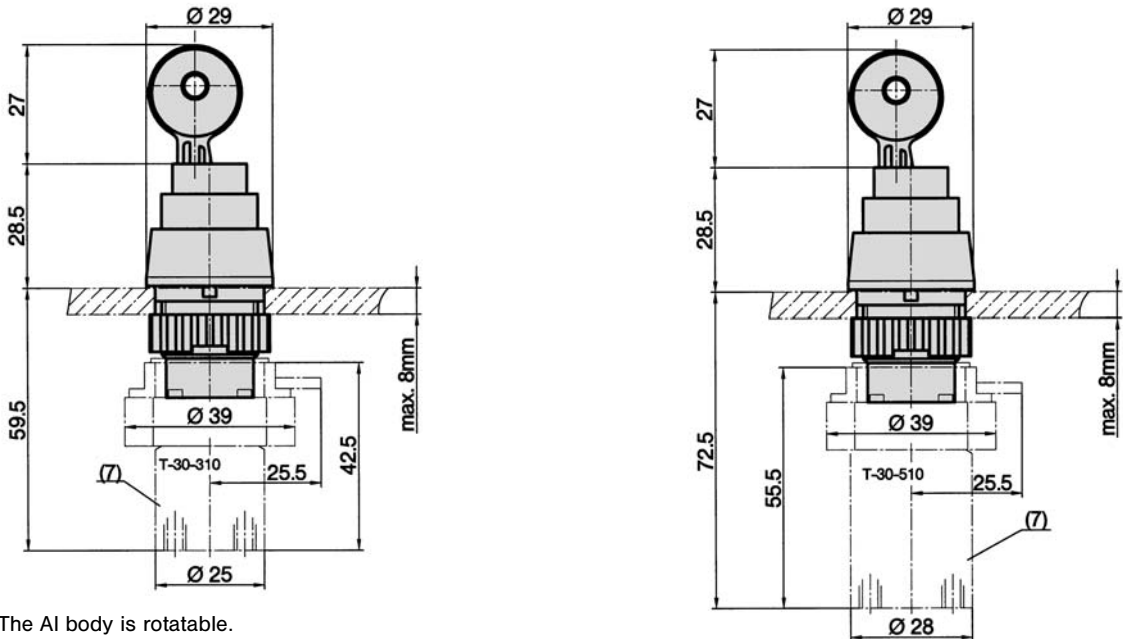
**2-position switch, order number 18-T-23-013**



(7) = The AI body is rotatable.

Mounted with	T-25-311*	T-28-311*	T-28-511*	T-30-310	T-30-510
Symbol					
Actuating force at 6 bar	24 N	23 N	15 N	26 N	25 N
Weight	0.055 kg (0.121 lb.)	0.075 kg (0.165 lb.)	0.087 kg (0.192 lb.)	0.073 kg (0.161 lb.)	0.096 kg (0.212 lb.)

**Key return, order number 18-T-23-014**



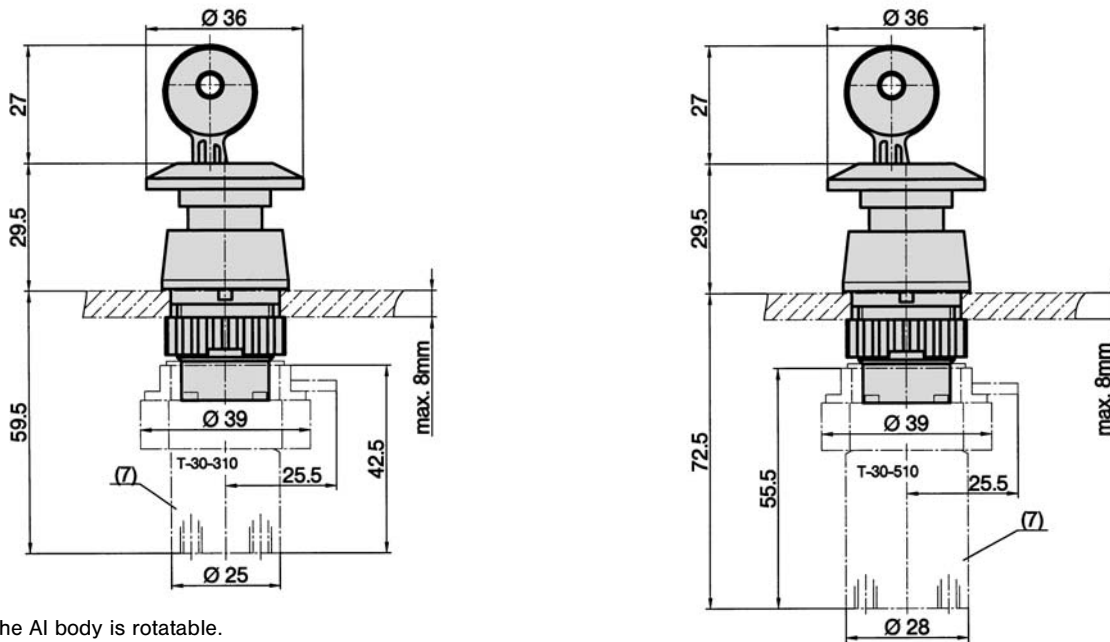
(7) = The AI body is rotatable.

Mounted with	T-25-311*	T-28-311*	T-28-511*	T-30-310	T-30-510
Symbol					
Actuating force at 6 bar	24 N	23 N	15 N	24 N	34 N
Weight	0.108 kg (0.238 lb.)	0.128 kg (0.282 lb.)	0.140 kg (0.309 lb.)	0.126 kg (0.278 lb.)	0.149 kg (0.328 lb.)

\* for these versions dimensions see on page 9.

**Dimensions for actuator Ø 22.5 mm**

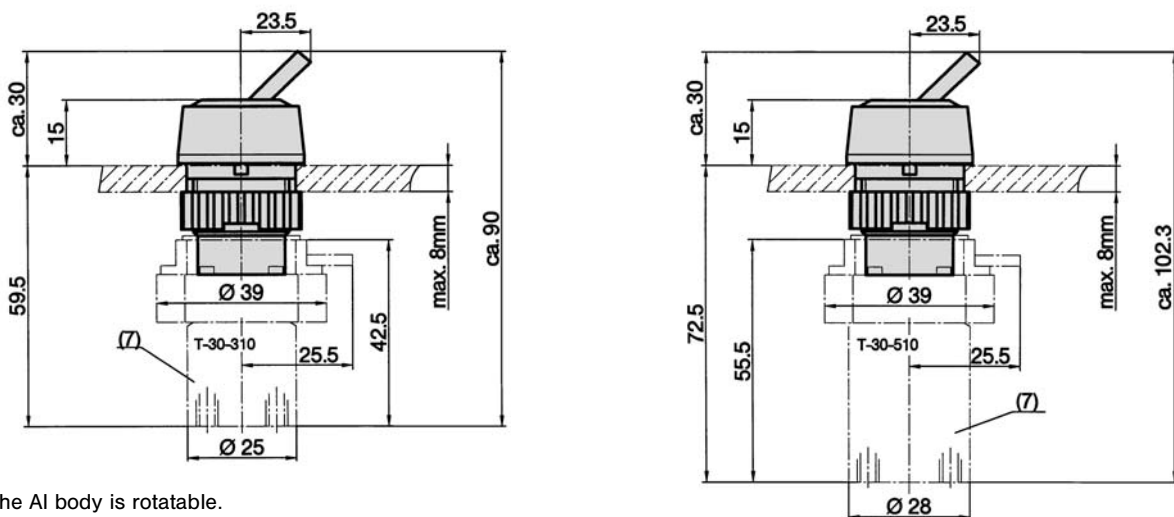
Stop/Key return, order number 18-T-23-015



(7) = The AI body is rotatable.

Mounted with	T-25-311*	T-28-311*	T-28-511*	T-30-310	T-30-510
Symbol					
Actuating force at 6 bar	24 N	23 N	15 N	17 N	27 N
Weight	0.110 kg (0.242 lb.)	0.130 kg (0.286 lb.)	0.142 kg (0.313 lb.)	0.128 kg (0.282 lb.)	0.151 kg (0.333 lb.)
Available colour	red -40				

Toggle, order number 18-T-23-016



(7) = The AI body is rotatable.

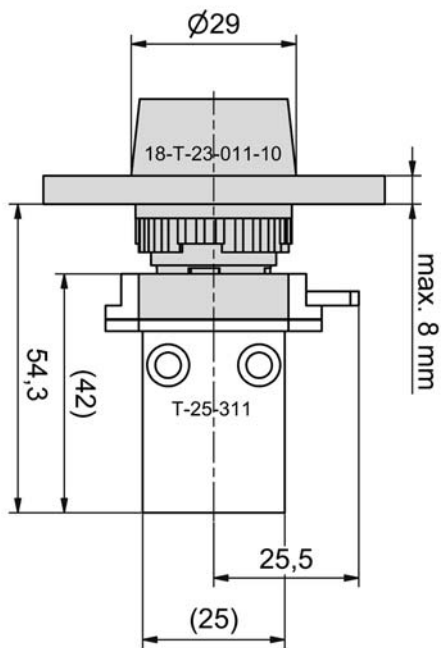
Mounted with	T-25-311*	T-28-311*	T-28-511*	T-30-310	T-30-510
Symbol					
Actuating force at 6 bar	24 N	23 N	15 N	6 N	12 N
Weight	0.053 kg (0.117 lb.)	0.073 kg (0.161 lb.)	0.085 kg (0.187 lb.)	0.071 kg (0.156 lb.)	0.094 kg (0.207 lb.)

\* for these versions dimensions see on page 9.

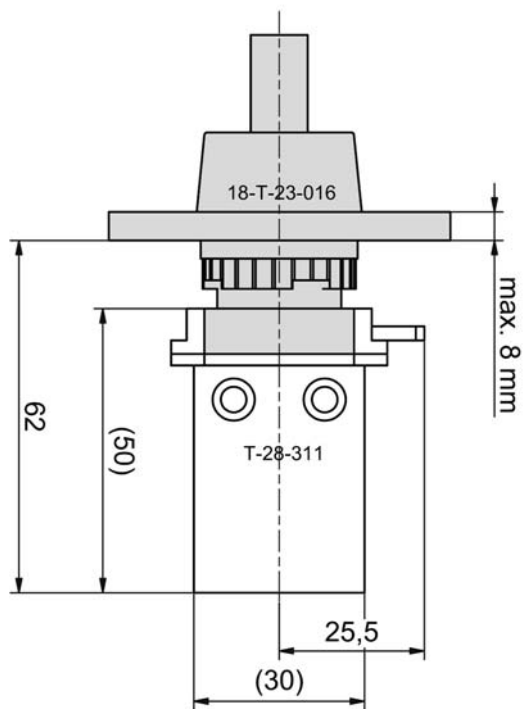


Please add the actuator dimension and the body dimension to get the total dimension: see example.

T-25-311 with 18-T-23-011-10

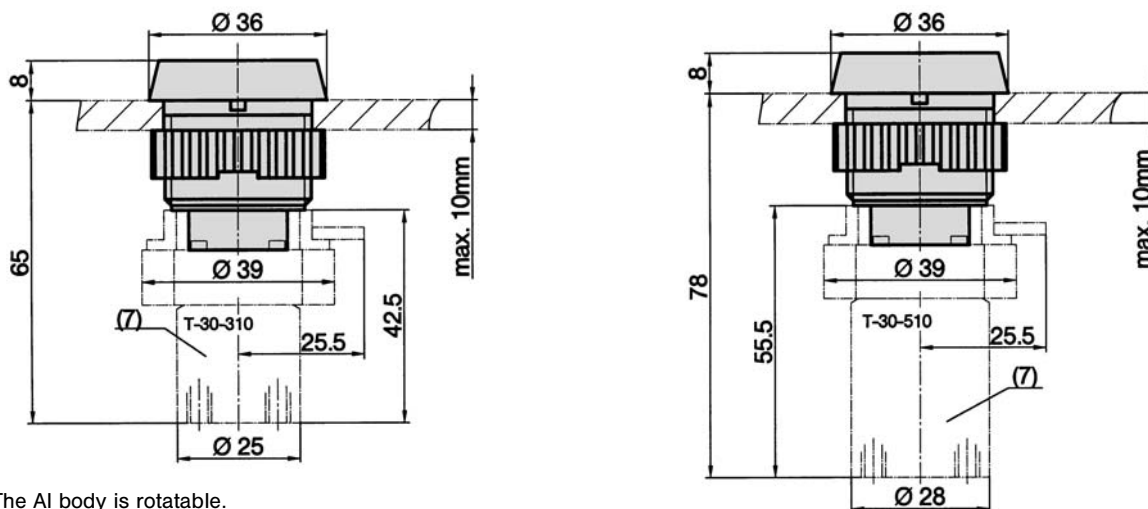


T-28-311 with 18-T-23-016



**Dimensions for actuator Ø 30 mm**

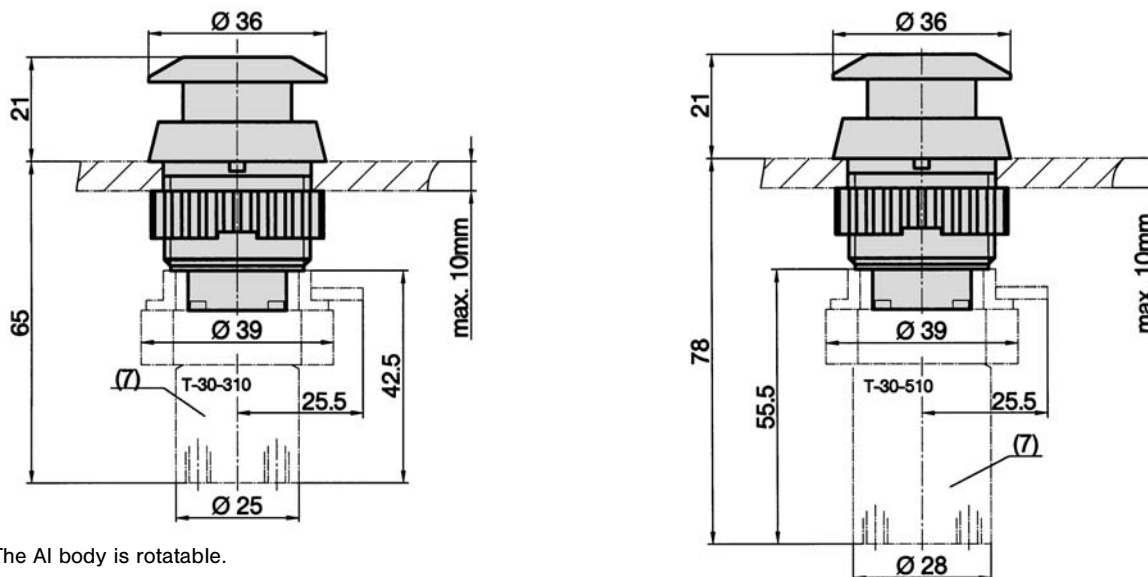
**Push button, order number 18-T-30-011-xx** (colour code according table)



(7) = The AI body is rotatable.  
Please specify actuator colours when ordering.

Mounted with	T-25-311*	T-28-311*	T-28-511*	T-30-310	T-30-510
Symbol					
Actuating force at 6 bar	24 N	23 N	15 N	15 N	24 N
Weight	0.058 kg (0.128 lb.)	0.078 kg (0.172 lb.)	0.090 kg (0.198 lb.)	0.076 kg (0.167 lb.)	0.099 kg (0.218 lb.)
Available colours	black -30, green -20, yellow -50 or red -40				

**Mushroom, order number 18-T-30-012-xx** (colour code according table)



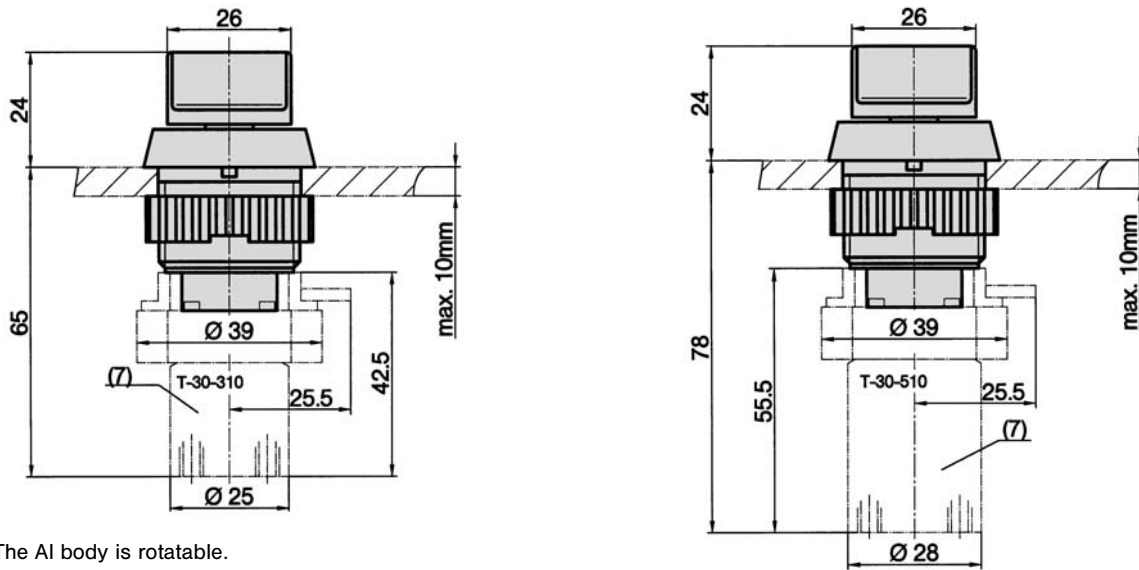
(7) = The AI body is rotatable.  
Please specify actuator colours when ordering.

Mounted with	T-25-311*	T-28-311*	T-28-511*	T-30-310	T-30-510
Symbol					
Actuating force at 6 bar	24 N	23 N	15 N	15 N	24 N
Weight	0.063 kg (0.139 lb.)	0.083 kg (0.183 lb.)	0.095 kg (0.209 lb.)	0.081 kg (0.178 lb.)	0.104 kg (0.229 lb.)
Available colours	black -30 or red -40				

\* for these versions dimensions see on page 9.

**Dimensions for actuator Ø 30 mm**

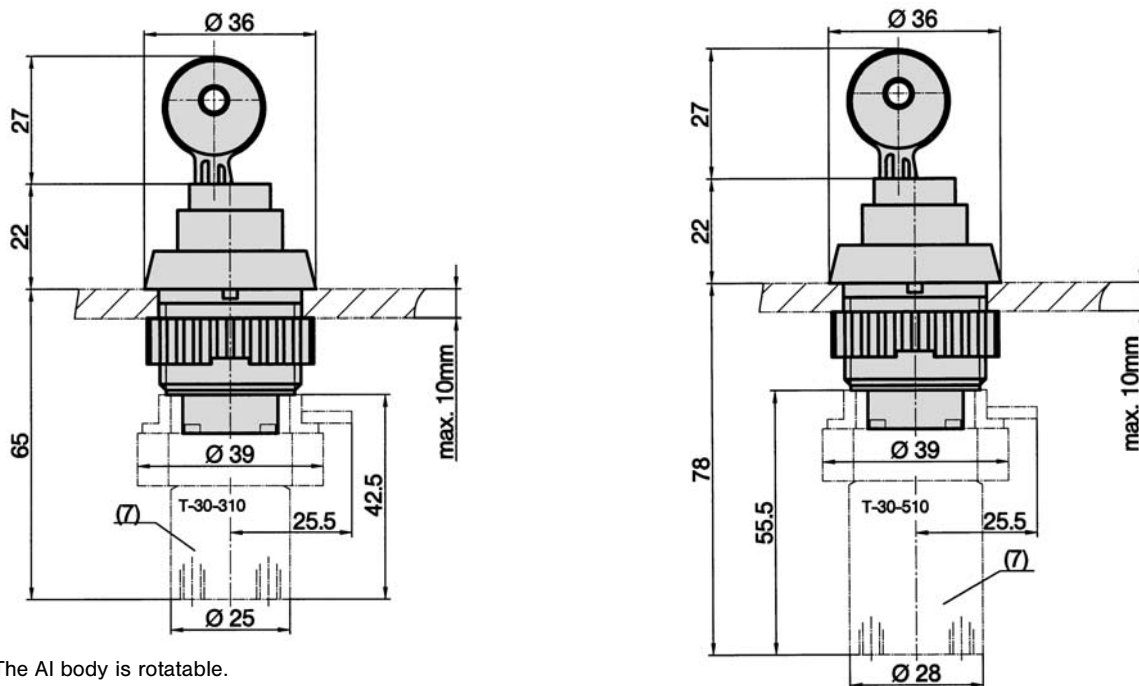
**2-position switch, order number 18-T-30-013**



(7) = The AI body is rotatable.

Mounted with	T-25-311*	T-28-311*	T-28-511*	T-30-310	T-30-510
Symbol					
Actuating force at 6 bar	24 N	23 N	15 N	15 N	25 N
Weight	0.062 kg (0.137 lb.)	0.082 kg (0.181 lb.)	0.094 kg (0.207 lb.)	0.080 kg (0.176 lb.)	0.103 kg (0.227 lb.)

**Key return, order number 18-T-30-014**



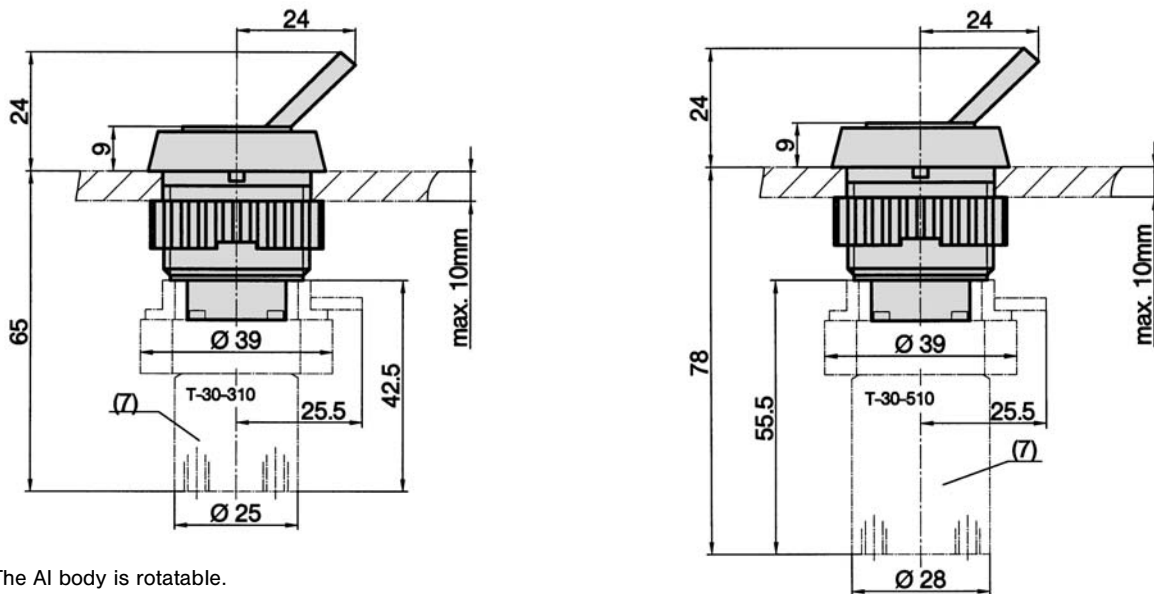
(7) = The AI body is rotatable.

Mounted with	T-25-311*	T-28-311*	T-28-511*	T-30-310	T-30-510
Symbol					
Actuating force at 6 bar	24 N	23 N	15 N	26 N	28 N
Weight	0.115 kg (0.253 lb.)	0.135 kg (0.298 lb.)	0.147 kg (0.324 lb.)	0.133 kg (0.293 lb.)	0.156 kg (0.344 lb.)

\* for these versions dimensions see on page 9.

**Dimensions for actuator Ø 30 mm**

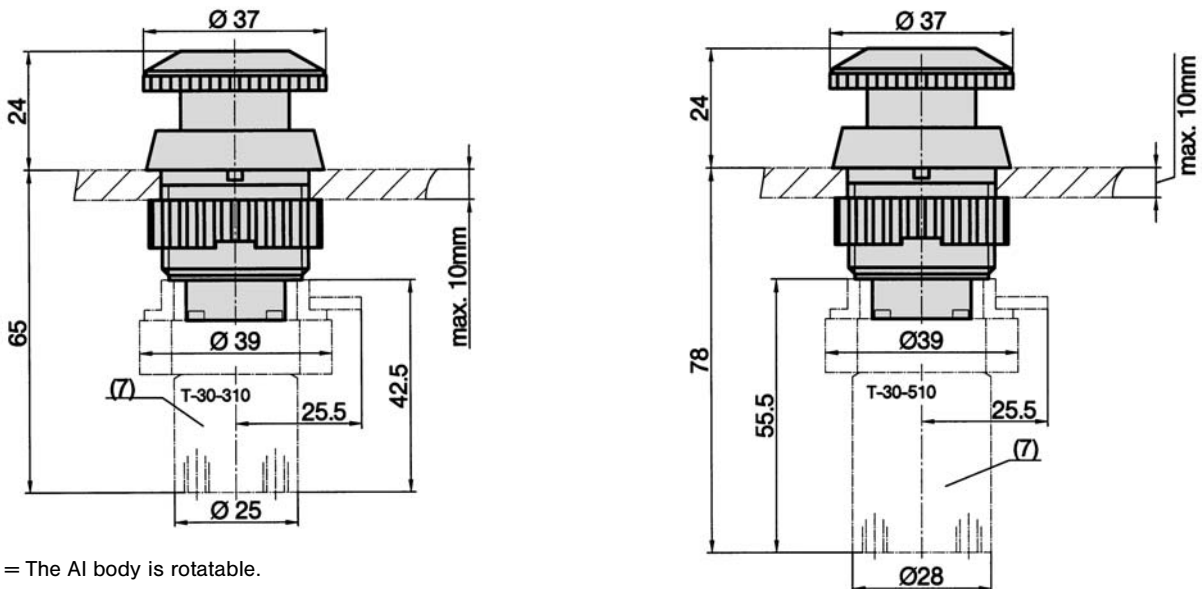
Toggle, order number 18-T-30-016



(7) = The AI body is rotatable.

Mounted with	T-25-311*	T-28-311*	T-28-511*	T-30-310	T-30-510
Symbol					
Actuating force at 6 bar	24 N	23 N	15 N	9 N	11 N
Weight	0.061 kg (0.134 lb.)	0.081 kg (0.178 lb.)	0.093 kg (0.205 lb.)	0.079 kg (0.174 lb.)	0.102 kg (0.225 lb.)

Stop button/twist release, order number 18-T-30-018



(7) = The AI body is rotatable.

Mounted with	T-25-311*	T-28-311*	T-28-511*	T-30-310	T-30-510
Symbol					
Actuating force at 6 bar	24 N	23 N	15 N	31 N	25 N
Weight	0.068 kg (0.150 lb.)	0.088 kg (0.194 lb.)	0.100 kg (0.220 lb.)	0.086 kg (0.189 lb.)	0.109 kg (0.240 lb.)
Available colour	red -40				

\* for these versions dimensions see on page 9.