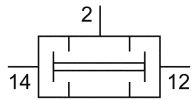


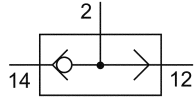
Series AND valves and OR valves

M5 (10/32 UNF) and G1/8

160 and 280 NI/min (0.163 - 0.285 Cv)



AND valve



OR valve



Design and function AN

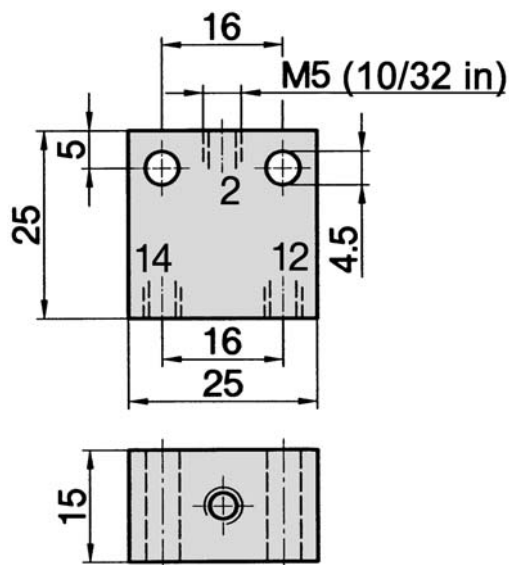
Output signal at port 2 is present if both inlets 12 and 14 are pressurized.

If both pressures are different (min. 0.2 bar 2.9 psi), the lower pressure is switched to 2.

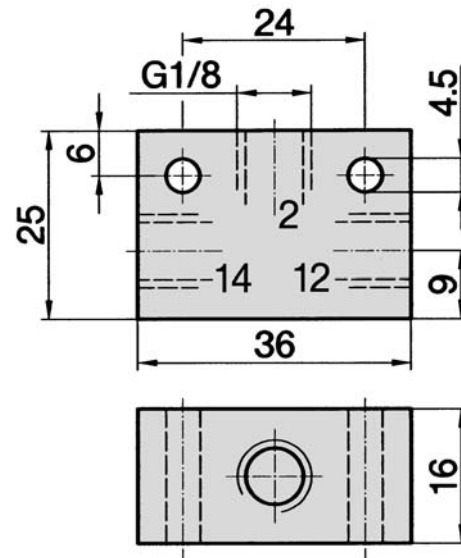
Design and function OR

Output signal is present if one inlet is pressurized. The higher input signal (min. difference 0.2 bar 2.9 psi) is dominant.

AN-25, OR-25



AN-18, OR-18



12 (X) + 14 (Y) = signal input
2 (A) = signal output

Order number	AN-25	OR-25	AN-18	OR-18
Connection	M5 (10/32 UNF)		G1/8	
Nominal size	3.2 mm		4 mm	
Nominal flow	160 NI/min (0.163 Cv)		280 NI/min (0.285 Cv)	
Working pressure range	- 0.95 ... 10 bar (- 14 ... 145 psi) (min. difference 0.2 bar 2.9 psi)			
Temperature range	- 10 °C ... + 70 °C (+ 14 °F ... + 158 °F)			
Materials	Body: Al (anodized), Seals: NBR, Inner parts: brass			
Medium	Compressed air in accordance with ISO 8573-1:2010, Class 7:2:4 – and free of aggressive additives.			
Weight	0.026 kg (0.057 lb.)		0.038 kg (0.084 lb.)	