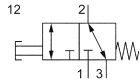
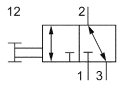


Series TK 28

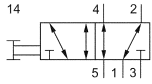
Manually operated valves, 3/2- and 5/2-way
G1/8 • 480 and 500 NI/min



TK-28-311



TK-28-320



TK-28-520



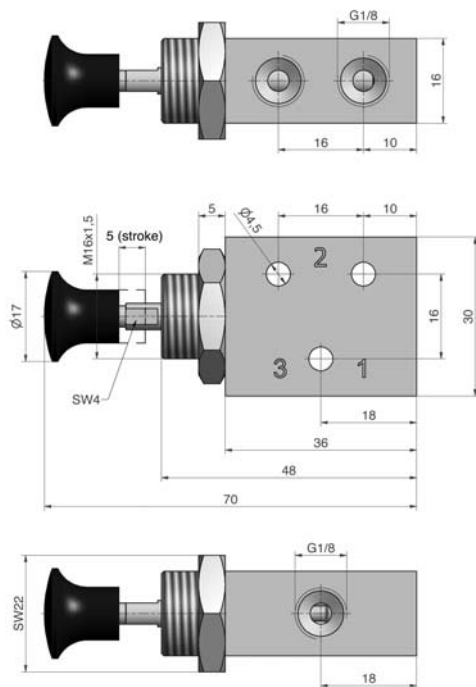
Design, function and technical data

All ports are interchangeable.

TK-28-311 and TK-28-320: Pressure inlet on 1: N/C
Pressure inlet on 3: N/O

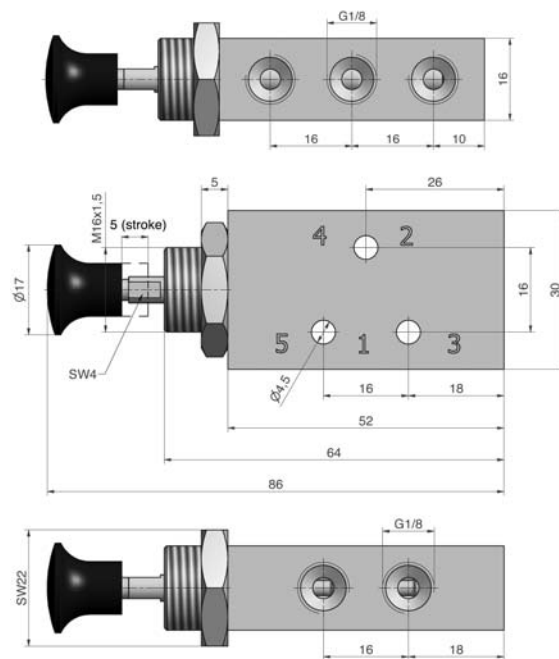
Throttle can be mounted in the exhaust port. The mounting nut RM-16, M16 x 1.5, is included.

3/2-way valve G1/8, Order number TK-28-311 and TK-28-320



1, 3 = pressure inlet or exhaust
2 = outlet

5/2-way valve G1/8, Order number TK-28-520



1 = pressure inlet
2, 4 = outlet
3, 5 = exhaust

Order number	TK-28-311	TK-28-320	TK-28-520
Design and function	3/2-way, spool valve, spring return	3/2-way, spool valve, manually operated	5/2-way, spool valve, manually operated
Connection	G1/8		
Nominal size	4 mm		
Flow rate	500 NI/min (0.508 Cv)		480 NI/min (0.488 Cv)
Pressure range	2 ... 10 bar (29 ... 145 psi)		
Actuating force at 6 bar	11 N	3 N	4 N
Temperature range	- 10 °C ... + 70 °C (+ 14 °F ... + 158 °F)		
Materials	Body: Al (anodized), Inner parts: Al, stainless steel, brass		Seals: NBR
Medium	Compressed air in accordance with ISO 8573-1:2010, Class 7:2:4 – and free of aggressive additives.		
Weight	0.048 kg (0.106 lb.)		0.066 kg (0.145 lb.)