

Series ICKN-55

Low temperature valves, 3/2-way acc. to NAMUR
G1/4 • 780 NI/min (0.793 Cv)



Order code

ICKN-55-310-HN-F42

Series and function

Coil options¹⁾

Standard coil²⁾

HN at ports 2 + 4 **HN at ports 1, 3 + 5**
F42 24 V DC, 4.2 W **F12**

Without coil and plug socket

HN at ports 2 + 4 **HN at ports 1, 3 + 5**
F70 Power consumption 4.2 W **F00**

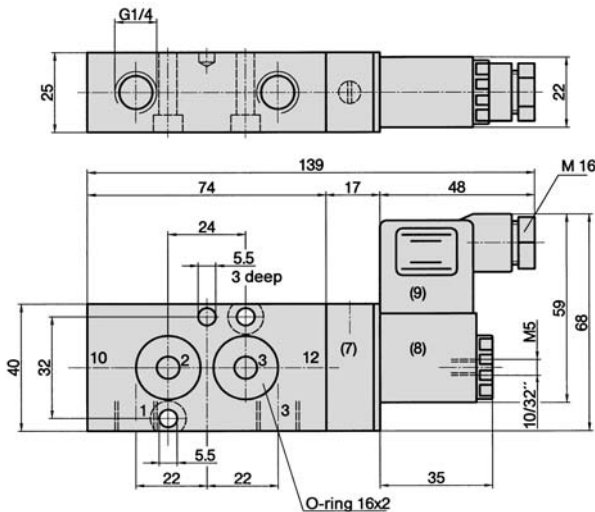
¹⁾ HN = Manual override. It can be repositioned by 180°. Manual override (HN) is on the side of ports 2 and 4 by default. It can be easily repositioned by 180° (side of ports 1, 3 and 5).

²⁾ Plug socket(s) not included in scope of delivery (see page 6.002).

Design, function and technical data

Spool valve for single acting actuators switched by an electrical signal.
The exhaust air is guided into the spring chamber of the actuator.
The locating pin, screws and seals are included.

ICKN-55-310-HN, ICKN-55-311-HN



- 1 = pressure inlet
- 2 = outlet
- 3 = exhaust
- (7) = manual override (detent) can be repositioned by 180°
- (8) = solenoid coil can be repositioned 4 x 90°
- (9) = plug socket can be repositioned by 180°

Order number	ICKN-55-310-HN	ICKN-55-311-HN
Please complete according to order code.		
Function	3/2-way, normally closed single solenoid, air spring return	3/2-way, normally closed single solenoid, spring return
Connection	G1/4 at 1 and 3; flange to NAMUR at 2 and 3	
Nominal size	6 mm	
Flow rate	780 NI/min (0.793 Cv)	
Pressure range	3 ... 8 bar (43.5 ... 116 psi)	
Actuating force at 6 bar	on 16 ms off 18 ms	on 13 ms off 16 ms
Temperature range	- 30 °C ... + 80 °C (- 22 °F ... + 176 °F)	
Materials	Body: Al (anodized), Seals: FKM, Inner parts: Al, stainless steel, brass	
Medium	Compressed air in accordance with ISO 8573-1:2010, Class 7:2:4 – and free of aggressive additives. T _{MEDIUM} – 30 °C ... + 50 °C (- 22 °F ... + 122 °F)	
Degree of protection	IP 65 according to EN 60529	
Weight	0.320 kg (0.705 lb)	

Series ICKN-55

Low temperature valves, 5/2- and 5/3-way acc. to NAMUR
G1/4 • 680 to 900 NI/min (0.691 to 0.915 Cv)



Order code

ICKN-55-510-HN-F42

Series and function

Coil options¹⁾

Standard coil²⁾

HN at ports 2 + 4 F42 24 V DC, 4.2 W

Without coil and plug socket

HN at ports 2 + 4 F70 Power consumption 4.2 W
HN at ports 1, 3 + 5 F00

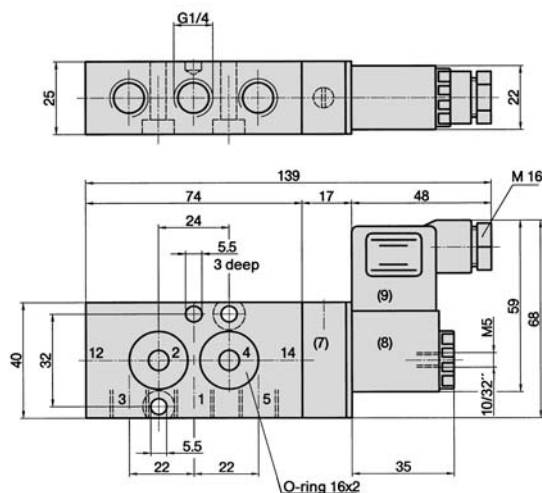
¹⁾ HN = Manual override. It can be repositioned by 180°. Manual override (HN) is on the side of ports 2 and 4 by default. It can be easily repositioned by 180° (side of ports 1, 3 and 5).

²⁾ Plug socket(s) not included in scope of delivery (see page 6.002).

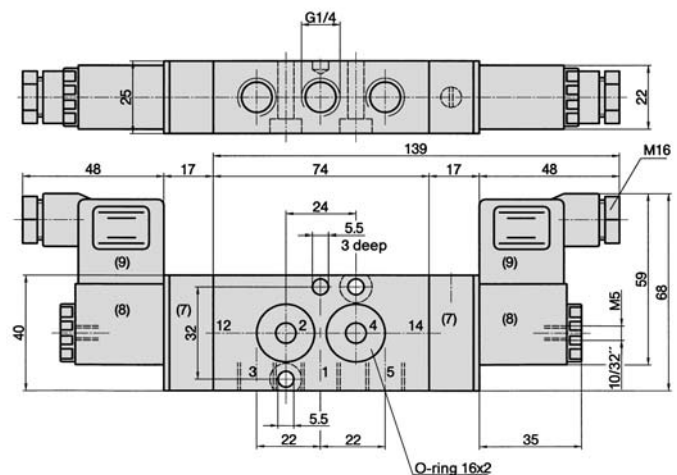
Design, function and technical data

Spool valve for double acting actuators switched by an electrical signal.
The locating pin, screws and seals are included.

ICKN-55-510-HN, ICKN-55-511-HN



ICKN-55-520-HN, ICKN-55-530-HN, ICKN-55-533-HN



- 1 = pressure inlet
- 2, 4 = outlets
- 3, 5 = exhausts

- (7) = manual override (detent) can be repositioned by 180°
- (8) = solenoid coil can be repositioned 4 x 90°
- (9) = plug socket can be repositioned by 180°

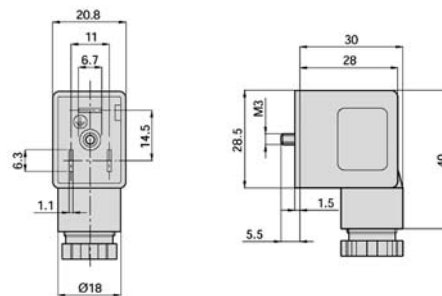
Order number Please complete according to order code.	ICKN-55-510-HN	ICKN-55-511-HN	ICKN-55-520-HN	ICKN-55-530-HN	ICKN-55-533-HN
Function	 5/2-way single solenoid air spring return	 5/2-way single solenoid spring return	 5/2-way double solenoid	 5/3-way center position closed	 5/3-way center position exhausted
Connection	G1/4 at 1, 3 and 5; flange to NAMUR at 2 and 4				
Nominal size	6 mm				
Flow rate	900 NI/min (0.915 Cv)	800 NI/min (0.813 Cv)	900 NI/min (0.915 Cv)	680 NI/min (0.691 Cv)	
Pressure range	3 ... 8 bar (43.5 ... 116 psi)		2...8 bar (29...116 psi)	3 ... 8 bar (43.5 ... 116 psi)	
Actuating force at 6 bar	on 16 ms off 17 ms	on 16 ms off 18 ms	14 ms	on 14 ms off 16 ms	
Temperature range	- 30 °C ... + 80 °C (- 22 °F ... + 176 °F)				
Materials	Body: Al (anodized), Seals: FKM + PU, Inner parts: Al, stainless steel, brass				
Medium	Compressed air in accordance with ISO 8573-1:2010, Class 7:2:4 – and free of aggressive additives. T _{MEDIUM} - 30 °C ... + 50 °C (- 22 °F ... + 122 °F)				
Degree of protection	IP 65 according to EN 60529				
Weight	0.320 kg (0.705 lb)		0.440 kg (0.970 lb)		

Accessories for electrically operated valves

Plug sockets for coil



Plug sockets pursuant to DIN EN 175301-803 Shape B
(2pol. + PE, 21 x 28 mm, Contact distance 11 mm)



Order number	28-ST-01	28-ST-04-112	28-ST-04-127	28-ST-06-112	28-ST-06-127	28-ST-06-K3-112	28-ST-06-K3-127
Standard voltage	all	24 V DC	230 V AC	24 V DC	230 V AC	24 V DC	230 V AC
Protective circuit	no	no	no	yes	yes	yes	yes
Status indicator	without	yes	yes	yes	yes	yes	yes
Degree of protection	IP 65 pursuant to EN 60529 requires a flat gasket						
Connecting cable	without					3 m	3m
Ø Connecting cable	6 – 8 mm					–	–
Max. wire cross section	1,5 mm ²					–	–
for coil	23-SP-011, 23-SP-011-1						

4