

Series ICK-10

Low temperature valves, 5/2- and 5/3-way
G1/4 • 1500 to 2100 NI/min (1.524 to 2.134 Cv)



Order code

ICK-10-511-HN-F42

Coil options¹⁾

Series and function

Standard coil²⁾

HN at ports 2 + 4 HN at ports 1, 3 + 5
F42 24 V DC, 4.2 W F12

Without coil and plug socket

HN at ports 2 + 4 HN at ports 1, 3 + 5
F70 Power consumption 4.2 W F00

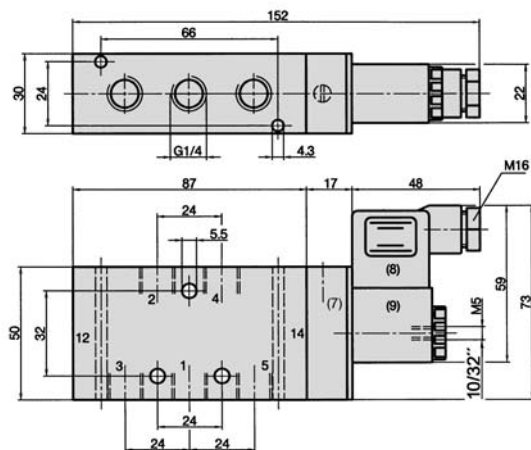
¹⁾ HN = Manual override. It can be repositioned by 180°. Manual override (HN) is on the side of ports 2 and 4 by default. It can be easily repositioned by 180° (side of ports 1, 3 and 5).

²⁾ Plug socket(s) not included in scope of delivery (see page 6.002).

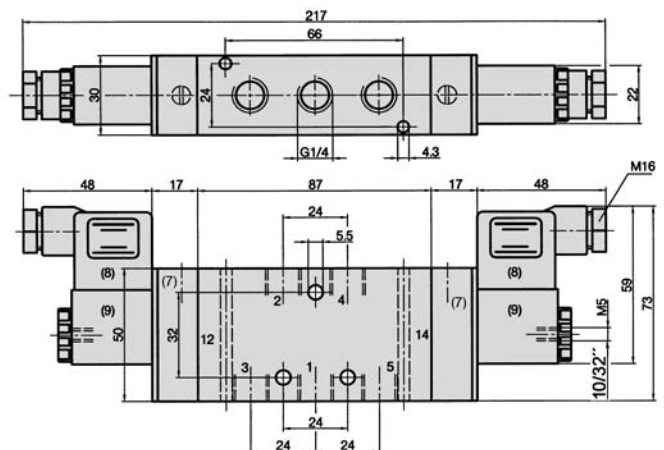
Design, function and technical data

Spool valve actuated by an electrical signal. Please specify required control voltage when ordering.

ICK-10-511-HN



ICK-10-520-HN, ICK-10-530-HN



- 1 = pressure inlet
- 2, 4 = outlets
- 3, 5 = exhausts

- (7) = manual override (detent) can be repositioned by 180°
- (8) = plug socket can be repositioned by 180°
- (9) = solenoid coil can be repositioned 4 x 90°

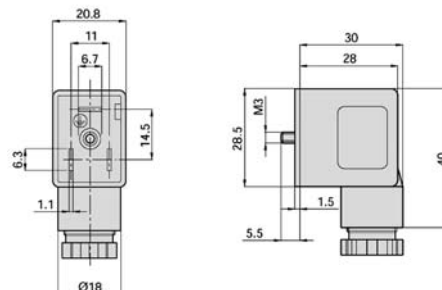
Order number	ICK-10-511-HN	ICK-10-520-HN	ICK-10-530-HN
Please complete according to order code.			
Function	5/2-way single solenoid spring return	5/2-way double solenoid	5/3-way center position closed
Connection	G1/4		
Nominal size	9 mm		
Flow rate	1800 NI/min (1.829 Cv)	2100 NI/min (2.134 Cv)	1500 NI/min (1.524 Cv)
Pressure range	2.5 ... 8 bar (36.25 ... 116 psi)		3 ... 8 bar (43.5 ... 116 psi)
Actuating force at 6 bar	on 16 ms off 27 ms	18 ms	on 16 ms off 22 ms
Temperature range	- 30 °C ... + 80 °C (- 22 °F ... + 176 °F)		
Materials	Body: Al (anodized), Seals: FKM, Inner parts: Al, stainless steel, brass		
Medium	Compressed air in accordance with ISO 8573-1: 2010, Class 7:2:4 – and free of aggressive additives. T _{MEDIUM} - 30 °C ... + 50 °C (- 22 °F ... + 122 °F)		
Degree of protection	IP 65 according to EN 60529		
Weight	0.470 kg (1.036 lbs)	0.630 kg (1.389 lbs)	

Accessories for electrically operated valves

Plug sockets for coil



Plug sockets pursuant to DIN EN 175301-803 Shape B
(2pol. + PE, 21 x 28 mm, Contact distance 11 mm)



Order number	28-ST-01	28-ST-04-112	28-ST-04-127	28-ST-06-112	28-ST-06-127	28-ST-06-K3-112	28-ST-06-K3-127
Standard voltage	all	24 V DC	230 V AC	24 V DC	230 V AC	24 V DC	230 V AC
Protective circuit	no	no	no	yes	yes	yes	yes
Status indicator	without	yes	yes	yes	yes	yes	yes
Degree of protection	IP 65 pursuant to EN 60529 requires a flat gasket						
Connecting cable	without					3 m	3m
Ø Connecting cable	6 – 8 mm					–	–
Max. wire cross section	1,5 mm ²					–	–
for coil	23-SP-011, 23-SP-011-1						

4