

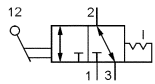
# Hand lever valves

3/2-, 5/2- and 5/3-way

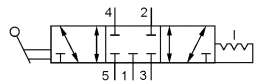
G1/8 to G1/2 • 750 to 3300 NI/min (0.762 - 3.354 Cv)



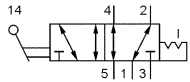
## Series HR with detent function



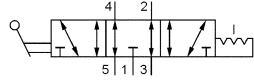
HR-18-320, HR-18-320-Q  
HR-14-320, HR-12-320



HR-18-530, HR-18-530-Q  
HR-14-530, HR-12-530



HR-18-520, HR-18-520-Q  
HR-14-520, HR-12-520



HR-18-533, HR-18-533-Q  
HR-14-533, HR-12-533



### Design, function and technical data

Spool valve with two or three fixed positions. All ports are interchangeable.

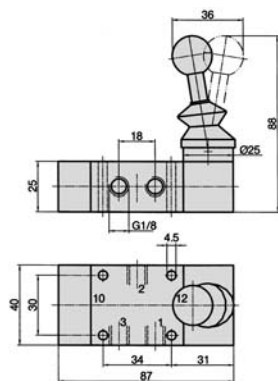
Valves of this series are available for use with vacuum (-0.95 ... 12 bar/-14 ... 175 psi). Order number changes to HR-18-320-Q and HR-18-520-Q.

Valves of this series are available in explosion proof design in accordance with 2014/34/EU (ATEX). For further details see chapter 13 of this catalogue.

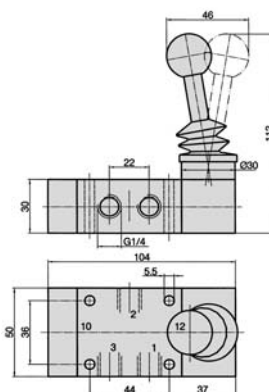
Order number	HR-18-320	HR-14-320	HR-12-320	HR-18-520	HR-14-520	HR-12-520
<b>Function</b>	3/2-way, 2 fixed positions			5/2-way, 2 fixed positions		
<b>Connection</b>	G1/8	G1/4	G1/2	G1/8	G1/4	G1/2
<b>Nominal size</b>	6 mm	9 mm	14 mm	6 mm	9 mm	14 mm
<b>Flow rate</b>	750 NI/min (0.762 Cv)	1580 NI/min (1.606 Cv)	3300 NI/min (3.354 Cv)	750 NI/min (0.762 Cv)	1580 NI/min (1.606 Cv)	3300 NI/min (3.354 Cv)
<b>Pressure range</b>	0 ... 12 bar (0 ... 175 psi)					
<b>Actuating force at 6 bar</b>	16 N	24 N	36 N	16 N	24 N	36 N
<b>Temperature range</b>	- 10 °C ... + 70 °C (+ 14 °F ... + 158 °F)					
<b>Materials</b>	Body: Al (anodized), Inner parts: Al, stainless steel, Lever: stainless steel, Seals: NBR and POM					
<b>Medium</b>	Compressed air in accordance with ISO 8573-1:2010, Class 7:2:4 – and free of aggressive additives.					
<b>Weight</b>	0.268 kg (0.591 lb.)	0.485 kg (1.069 lbs.)	1.215 kg (2.678 lbs.)	0.312 kg (0.688 lb.)	0.564 kg (1.243 lbs.)	1.430 kg (3.152 lbs.)

Order number	HR-18-530	HR-14-530	HR-12-530	HR-18-533	HR-14-533	HR-12-533
<b>Function</b>	5/3-way, center position closed			5/3-way, center position exhausted		
<b>Connection</b>	G1/8	G1/4	G1/2	G1/8	G1/4	G1/2
<b>Nominal size</b>	6 mm	9 mm	14 mm	6 mm	9 mm	14 mm
<b>Flow rate</b>	780 NI/min (0.793 Cv)	1800 NI/min (1.829 Cv)	3300 NI/min (3.354 Cv)	780 NI/min (0.793 Cv)	1800 NI/min (1.829 Cv)	3300 NI/min (3.354 Cv)
<b>Pressure range</b>	0 ... 12 bar (0 ... 175 psi)					
<b>Actuating force at 6 bar</b>	20 N	25 N	40 N	20 N	25 N	40 N
<b>Temperature range</b>	- 10 °C ... + 70 °C (+ 14 °F ... + 158 °F)					
<b>Materials</b>	Body: Al, Lever: stainless steel; Bellows: Molerit®; Screws: steel zinc-plated/nickel-plated Inner parts: Al, stainless steel, brass; Seals: NBR, PU (at HF-18 and HF-14), NBR, POM (at HF-12)					
<b>Medium</b>	Compressed air in accordance with ISO 8573-1:2010, Class 7:2:4 – and free of aggressive additives.					
<b>Weight</b>	0.320 kg (0.719 lb.)	0.580 kg (1.278 lbs.)	1.430 kg (3.152 lbs.)	0.320 kg (0.719 lb.)	0.580 kg (1.278 lbs.)	1.430 kg (3.152 lbs.)

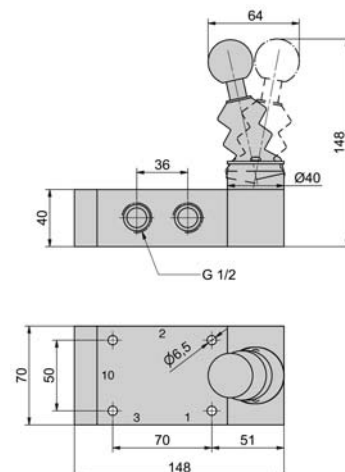
### HR-18-320, HR-18-320-Q



### HR-14-320



### HR-12-320



- 1 = pressure inlet
- 2 = outlet
- 3 = exhaust

Further dimensions see page 2.103.

# Hand lever valves with spring return or detent

3/2-, 5/2- and 5/3-way

G1/8 to G1/2 • 750 to 3300 NI/min (0.762 - 3.354 Cv)

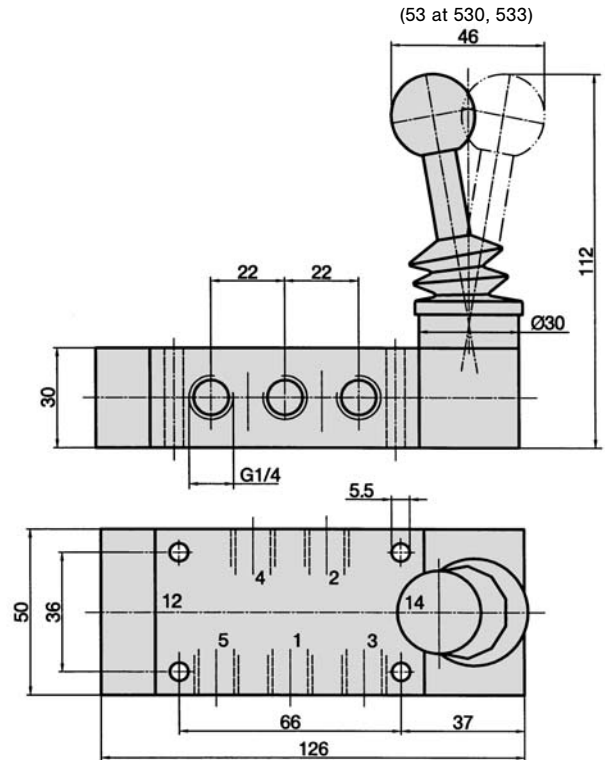
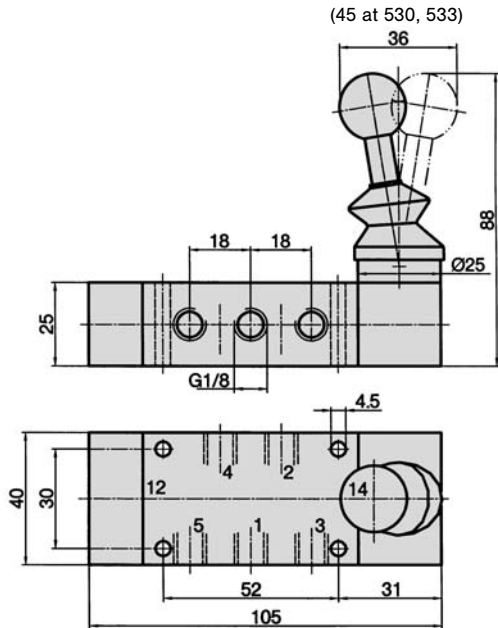


## Dimensions for series HF, HR

HF-18-510, HF-18-530, HF-18-533, HR-18-520, HR-18-530, HR-18-533, HF-18-510-Q, HF-18-530-Q, HF-18-533-Q, HR-18-520-Q, HR-18-530-Q, HR-18-533-Q

HF-14-510, HF-14-530, HF-14-533, HR-14-520, HR-14-530, HR-14-533

- 1 = pressure inlet
  - 2, 4 = outlets
  - 3, 5 = exhausts
- All ports are interchangeable.



HF-12-510, HR-12-520, HR-12-530, HR-12-533

HF-12-530, HF-12-533

- 1 = pressure inlet
  - 2, 4 = outlets
  - 3, 5 = exhausts
- All ports are interchangeable.

