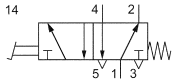
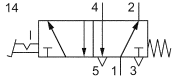


Series 84-4F

Foot-operated valves, 5/2-way
G1/4 • 530 NI/min (0.54 Cv)



84-4FF-511-14-H



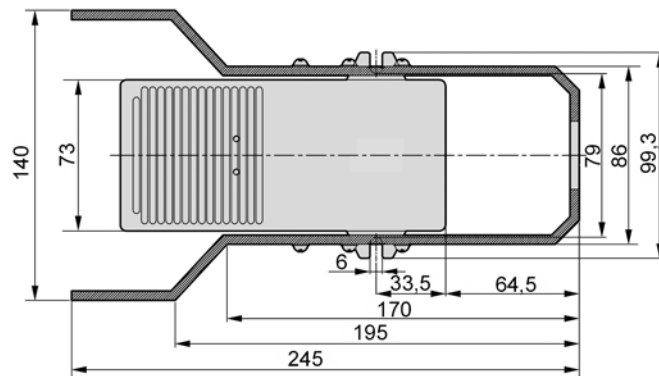
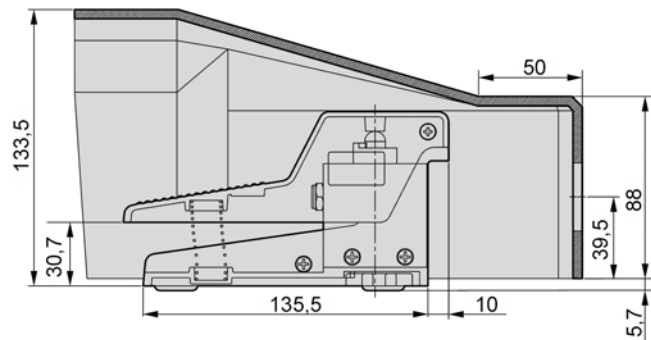
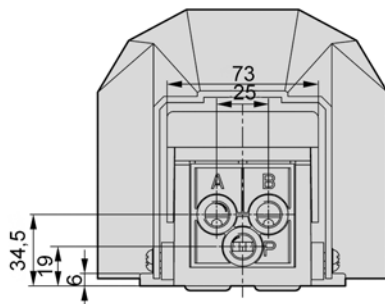
84-4FR-520-14-H



Design, function and technical data

By closing port A or B the valve can be used as well as 3/2-way valve. Silencers, provided at the exhaust ports 5 and 3 are included. A plastic cover is part of delivery.

84-4FF-511-14-H, 84-4FR-520-14-H



A, B = outlet
P = pressure inlet

Order number	84-4FF-511-14-H	84-4FR-520-14-H
Function	5/2-way valve with spring return	5/2-way valve with mechanical detent
Connection	G1/4	
Nominal size	9 mm	
Flow rate	530 NI/min (0.54 Cv)	
Pressure range	0 ... 8 bar (0 ... 116 psi)	
Temperature range	0 ... + 60 °C (32 °F ... 140 °F)	
Materials	Body: Al (anodized), and POM; Seals: NBR	
Medium	Compressed air in accordance with ISO 8573-1:2010, Class 7:2:4 – and free of aggressive additives.	
Weight	0,9 kg (1.984 lbs.)	