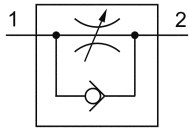


Flow control valves, series DR

M5 (10/32 UNF) to G 1/2

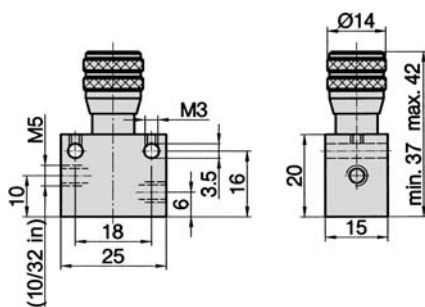
5 to 1400 NI/min (0.005 to 1.423 Cv)



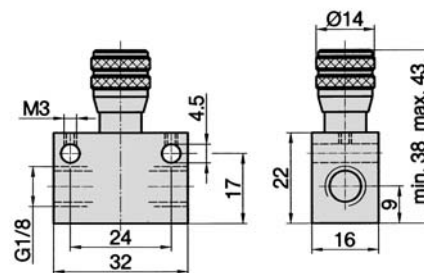
Function and technical data

This valve is used for the speed control of a pneumatic cylinder. The adjusting knob controls the flow rate in one direction and permits fine adjustment.

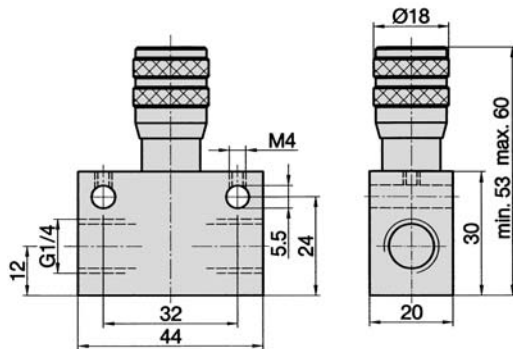
DR-25



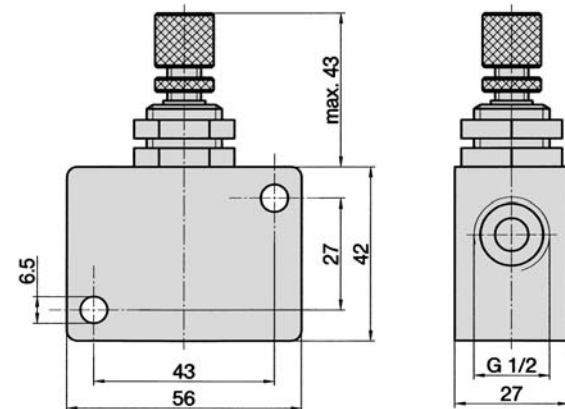
DR-18



DR-14



DR-10



Order number	DR-25	DR-18	DR-14	DR-10
Connection	M5 (10/32 UNF)	G 1/8	G 1/4	G 1/2
Nominal size controlled flow direction	0.5 ... 1.5 mm	0.5 ... 2 mm	1 ... 5 mm	1 ... 7 mm
Nominal size free flow direction	2.5 mm	4.5 mm	7.5 mm	11 mm
Nominal flow controlled flow direction	5 ... 40 NI/min (0.005 ... 0.041 Cv)	5 ... 90 NI/min (0.005 ... 0.091 Cv)	50 ... 600 NI/min (0.051 ... 0.610 Cv)	50 ... 600 NI/min (0.051 ... 0.610 Cv)
Nominal flow free flow direction	120 NI/min (0.122 Cv)	480 NI/min (0.488 Cv)	1300 NI/min (1.321 Cv)	1400 NI/min (1.423 Cv)
Working pressure range	0.5 ... 10 bar (7 ... 145 psi)			2 ... 10 bar (29 ... 145 psi)
Temperature range	- 10 °C ... + 70 °C (+ 14 °F ... + 158 °F)			
Materials	Body: Al (anodized), Inner parts: brass, Seals: NBR and PU			Body: Al (anodized) and brass, Inner parts: brass and stainless steel, Seals: NBR
Medium	Compressed air in accordance with ISO 8573-1:2010, Class 7:2:4 – and free of aggressive additives.			
Weight	0.034 kg (0.075 lb.)	0.040 kg (0.088 lb.)	0.098 kg (0.216 lb.)	0.215 kg (0.473 lb.)