



Series FY

Filter,
G1/4 to G1 12.071

Series RY + RYP

Pressure regulator,
G1/4 to G1 12.076



Series FRY

Filter/regulator,
G1/4 to G1 12.080

Series OY

Lubricator,
G1/4 to G1 12.083



Series FROY

Filter, Regulator, Lubricator
combination,
G1/4 to G1 12.085

Series KY

Ball valve,
G1/4 to G1 12.088



Series NY

Non-return valve,
G1/4 to G1/2 12.090

Series VMY

3/2-way inline valve,
G1/4 to G1 12.092

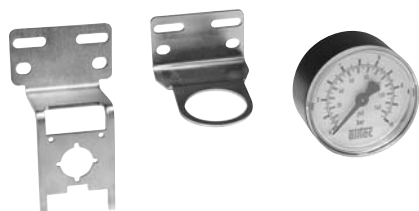


Series DAY

Soft start valve,
G1/4 to G1 12.094

Series TY

Distribution block and
pressure switch,
G1/4 to G1 12.096

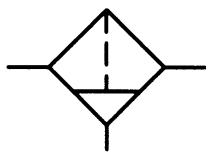


Accessories for series Y 12.099

Series RP

Precision pressure
regulator,
G1/4 to G1/2 12.110





Order code

FY-12-00-5-1201

Series

- FY*** = standard 5 µm
- FYA = activated carbon filter 0.005 µm
- FYF = coalescing filter 0.3 µm
- FYM = micro filter 0.01 µm

Size

- 14 = 1/4 (Y1)
- 37 = 3/8 (Y1)
- 38 = 3/8 (Y2)
- 12 = 1/2 (Y2)
- 34 = 3/4 (Y3)
- 10 = 1 (Y3)

Filter element

- 5*** = 5 µm
- 3 = 0.3 µm
- 1 = 0.01 µm
- A = activated carbon filter

Options for digit No. 2, 3, 4

- 201*** = semi-automatic drain
- 301 = auto drain, opened without pressure
- 401 = auto drain, closed without pressure

Pressure range

- 00 = standard

Options for digit No. 1

- 1*** = polycarbonate bowl with PA-guard
- 3 = metal bowl with sight glass

Design and function

The FYA series is only available as option 1001 or 2001. The bowl is always without drain.

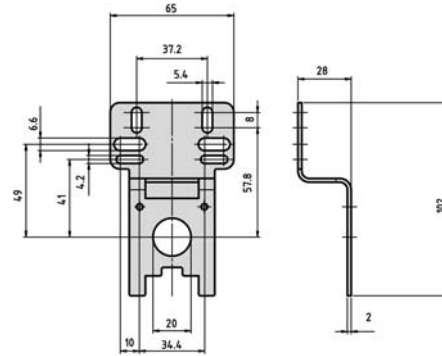
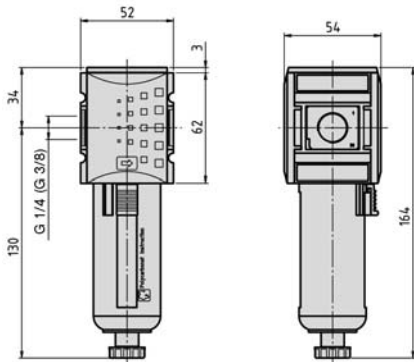
Order number Please complete according to order code.	FY-14-00-...	FY-37-00-...	FY-38-00-...	FY-12-00-...	FY-34-00-...	FY-10-00-...
Connection size	G1/4	G3/8	G3/8	G1/2	G3/4**	G1**
Series	Y1		Y2		Y3	
Nominal size*	2200 NI/min (2.236 Cv)	2400 NI/min (2.44 Cv)	3500 NI/min (3.557 Cv)		13000 NI/min (13.22 Cv)	
Mounting	vertically, drain plug at bottom					
Input range	0.5 ... 16 bar (7.25 ... 232 psi) Min. 1.5 bar with auto drain		0.5 ... 16 bar (7.25 ... 232 psi) 1.5 ... 12 bar with auto drain		1.5 ... 16 bar (21.75 ... 232 psi)	
Temperature range	- 10 °C ... + 50 °C (+ 14 °F ... + 122 °F)					
Materials	Housing: Grivory (PA66); Connection: Grivory (PA66)					
Bowl volume	max. 28 cm ³		max. 49 cm ³		max. 87 cm ³	
Weight*	0.212 kg (0.467 lb.)		0.361 kg (0.796 lb.)		0.700 kg (1.543 lbs.)	

* = standard type

** = max. internal air consumption 1.5 l/min. Regulator vents.

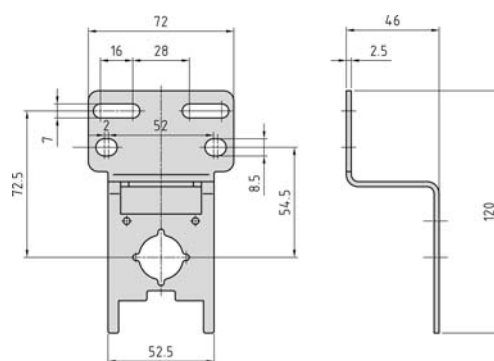
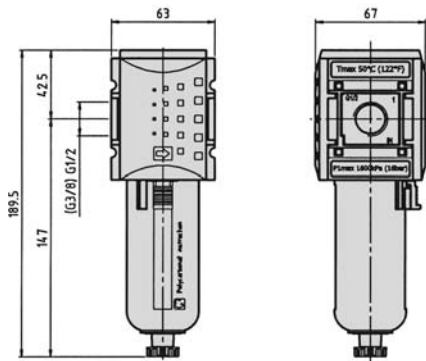
FY-14, FY-37

WYP-01 see page 12.099



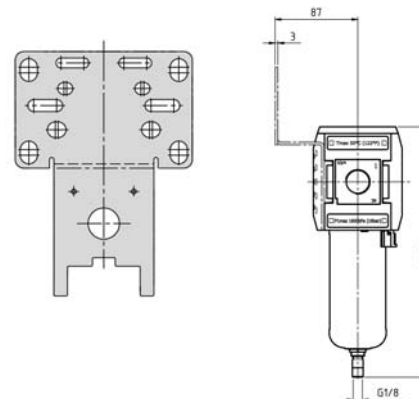
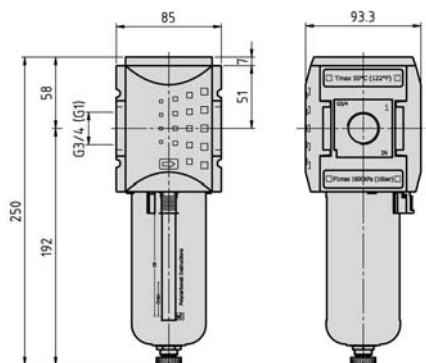
FY-38, FY-12

WYP-02 see page 12.099



FY-34, FY-10

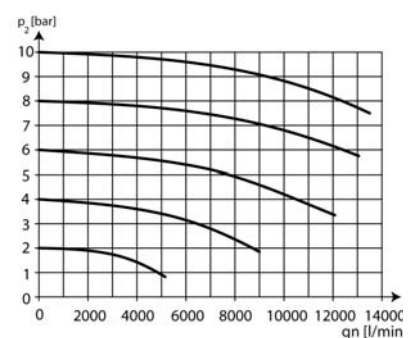
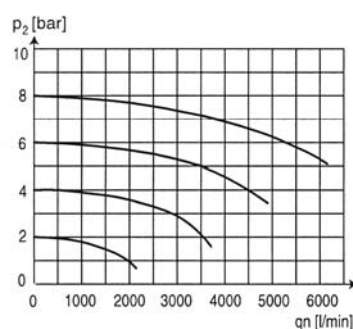
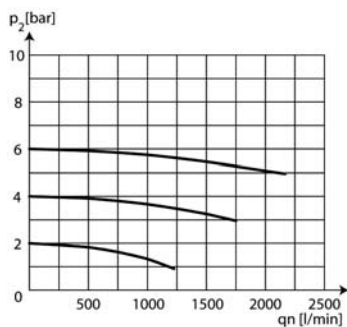
WYP-03 see page 12.099



Flow characteristic FY-14, FY-37

Flow characteristic FY-38, FY-12

Flow characteristic FY-34, FY-10



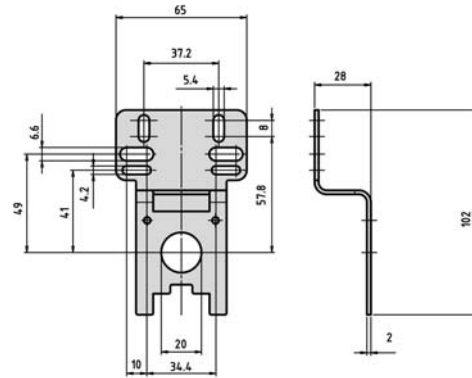
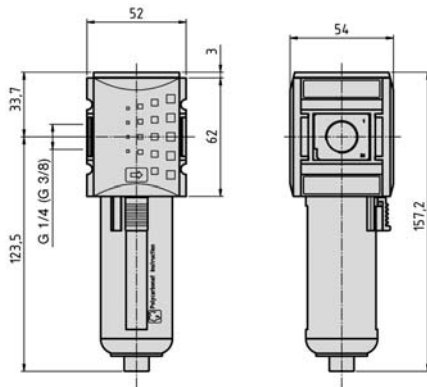
Series Y

Filter, model FYA – Active carbon filter
G1/4 to G1



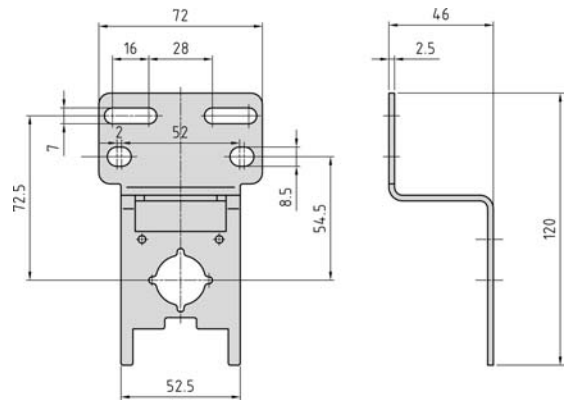
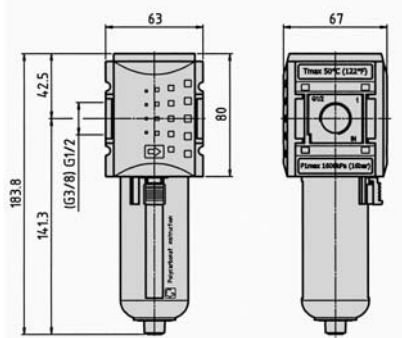
FYA-14, FYA-37

WYP-01 see page 12.099



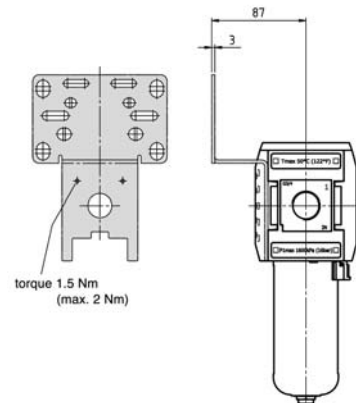
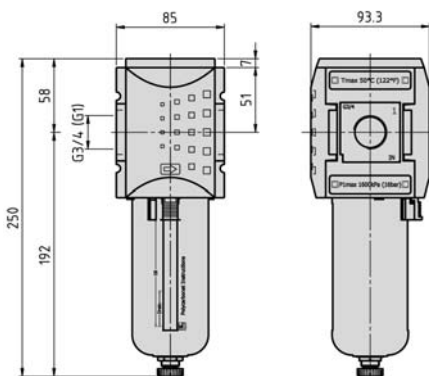
FYA-38, FYA-12

WYP-02 see page 12.099

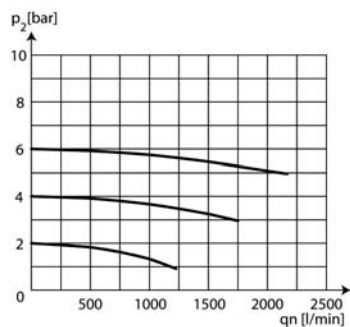


FYA-34, FYA-10

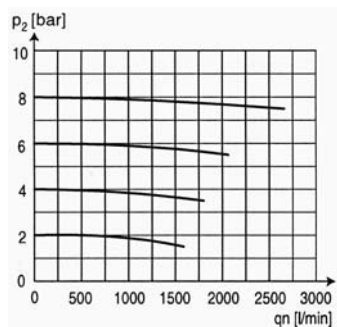
WYP-03 see page 12.099



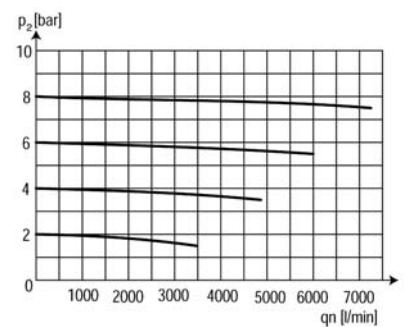
Flow characteristic FYA-14, FYA-37



Flow characteristic FYA-38, FYA-12



Flow characteristic FYA-34, FYA-10



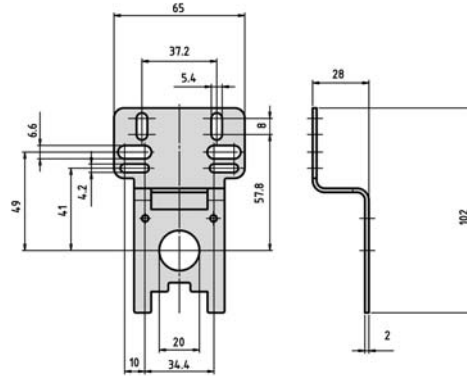
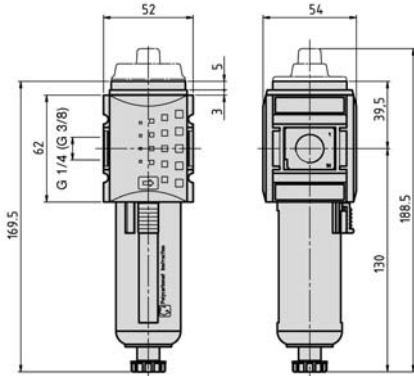
Series Y

Filter, model FYF – Coalescing filter (pre-filter)
G1/4 to G1



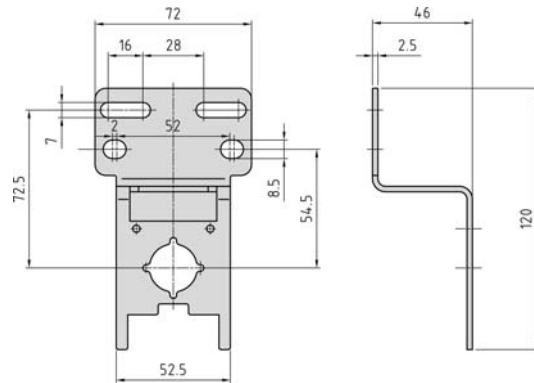
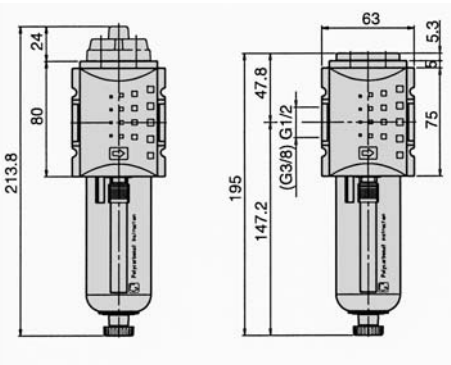
FYF-14, FYF-37

WYP-01 see page 12.099



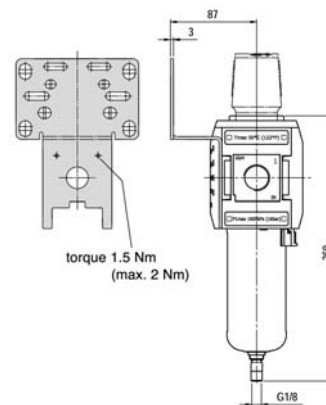
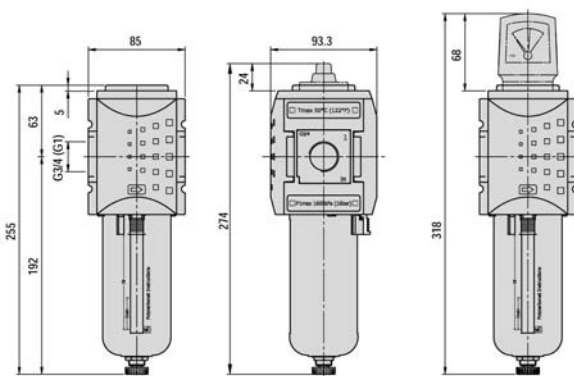
FYF-38, FYF-12

WYP-02 see page 12.099



FYF-34, FYF-10

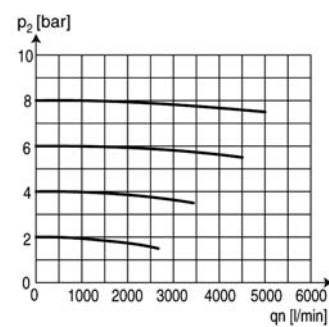
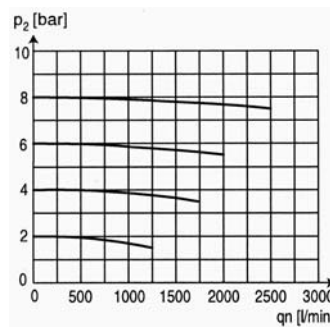
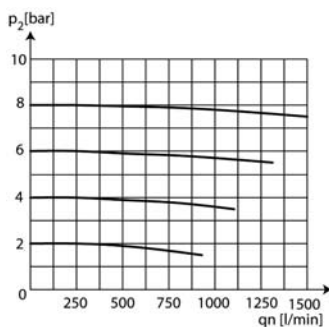
WYP-03 see page 12.099



Flow characteristic FYF-14, FYF-37

Flow characteristic FYF-38, FYF-12

Flow characteristic FYF-34, FYF-10

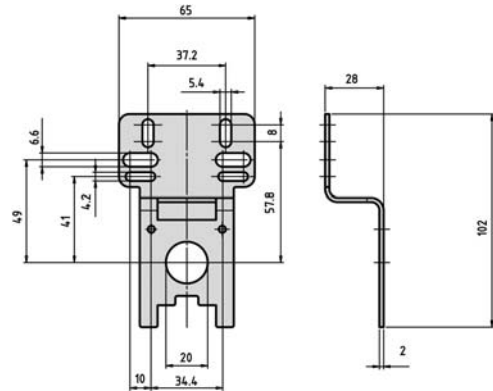
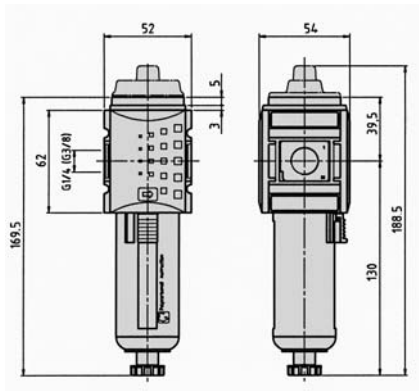


Series Y

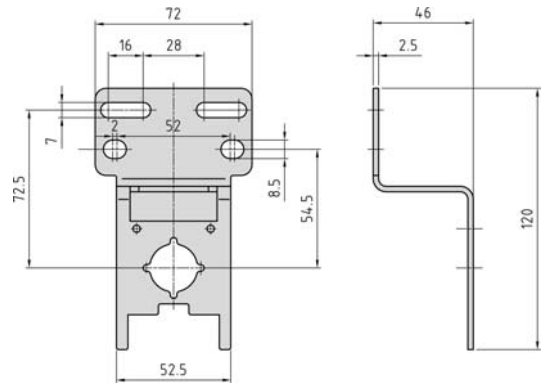
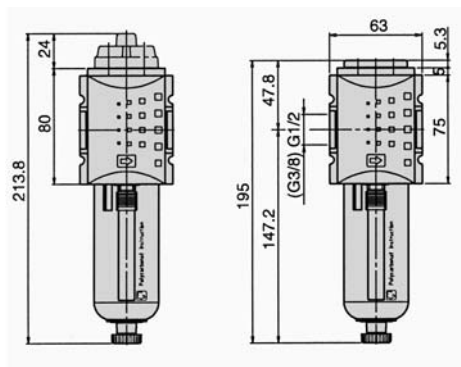
Filter, model FYM – Micro filter
G1/4 to G1



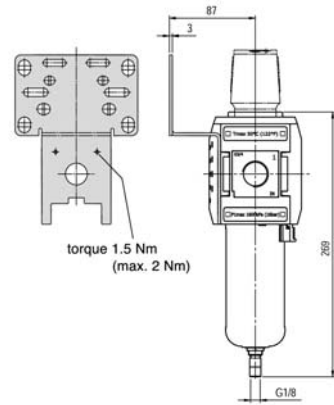
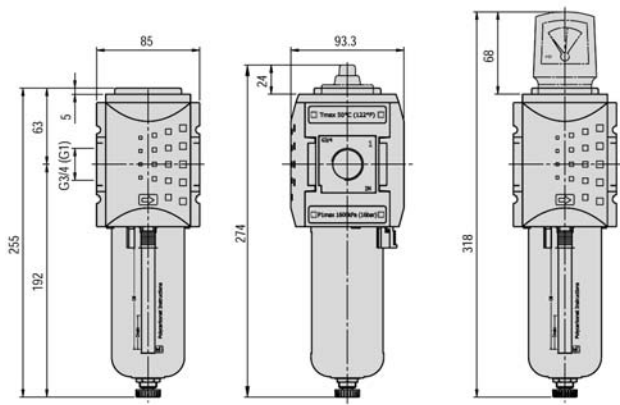
FYM-14, FYM-37 **WYP-01** see page 12.099



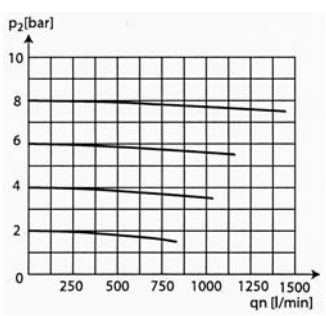
FYM-38, FYM-12 **WYP-02** see page 12.099



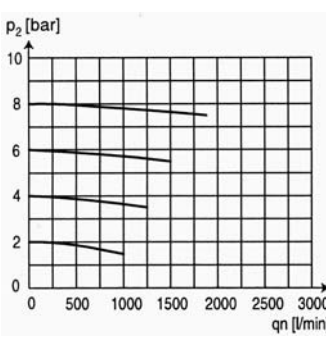
FYM-34, FYM-10 **WYP-03** see page 12.099



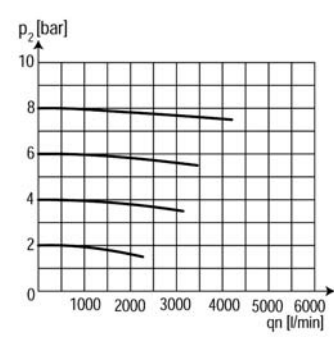
Flow characteristic FYM-14, FYM-37



Flow characteristic FYM-38, FYM-12

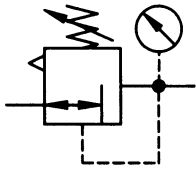


Flow characteristic FYM-34, FYM-10



Series Y

Pressure regulator, model RY
G1/4 to G1



Order code

RY-14-10-0-0021

Series	Size	Pressure range	Options for digit No.n 1, 2, 3	Options for digit No. 4
RY = standard	14 = 1/4 (Y1) 37 = 3/8 (Y1) 38 = 3/8 (Y2) 12 = 1/2 (Y2) 34 = 3/4 (Y3) 10 = 1 (Y3)	04 = 0.2 ... 4 bar (2.9 ... 58 psi) 08 = 0.5 ... 8 bar (7.25 ... 116 psi) 10* = 0.5 ... 10 bar (7.25 ... 145 psi)	000 = without gauge, flow from left to right 001 = without gauge, flow from right to left 002* = with gauge, flow from left to right 003 = with gauge, flow from right to left	1 = standard

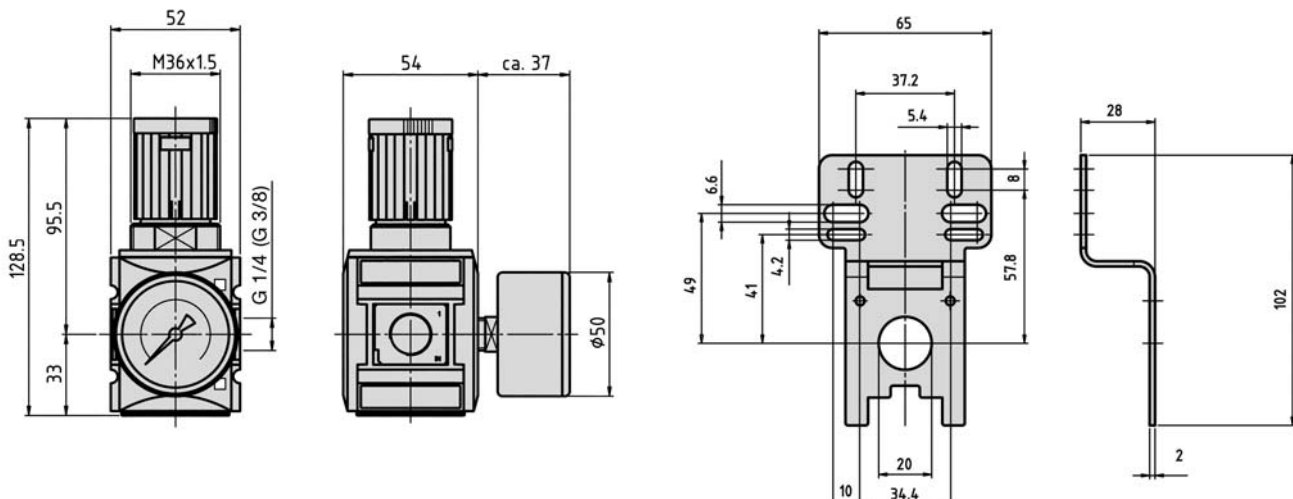
Order number Please complete according to order code.	RY-14-...	RY-37-...	RY-38-...	RY-12-...	RY-34-...	RY-10-...
Connection size	G1/4	G3/8	G3/8	G1/2	G3/4**	G1**
Series	Y1		Y2		Y3	
Mounting	with bracket or in-line, horizontal or vertical					
Input range	max. 16 bar (max. 232 psi)					
Output range*	0.5 ... 10 bar (7.25 ... 145 psi)* (others see order code)					
Flow rate	2200 NI/min (2.236 Cv)	2700 NI/min (2.744 Cv)	4300 NI/min (4.37 Cv)		14500 NI/min (14.74 Cv)	
Temperature range	- 10 °C ... + 50 °C (+ 14 °F ... + 122 °F)					
Materials	Housing: Grivory (PA66); Connection: Grivory (PA66)					
Medium	Compressed air in accordance with ISO 8573-1:2001, Class 7 4 – and free of aggressive additives					
Weight without pressure gauge	0.292 kg (0.644 lb.)		0.8 kg (1.764 lbs.)		0.997 kg (2.216 lbs.)	

* = standard type

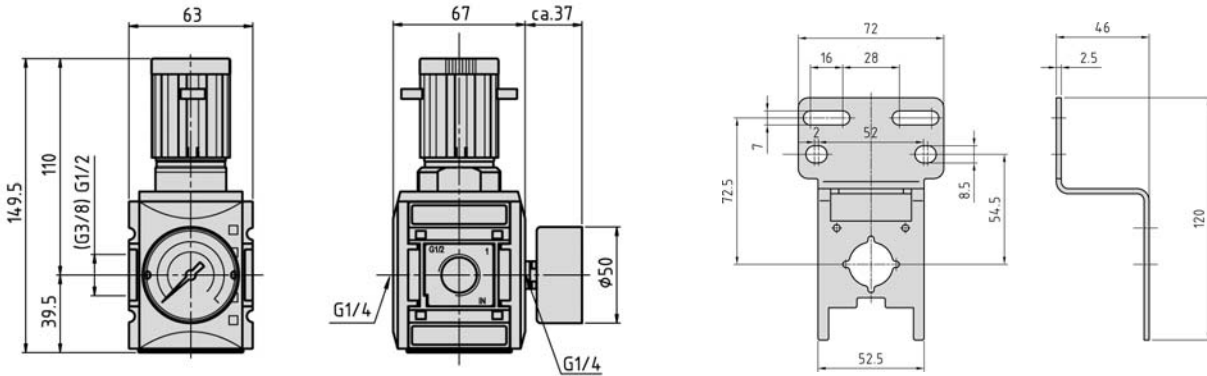
** = max. internal air consumption 1.5 l/min. Regulator vents.

RY-14, RY-37

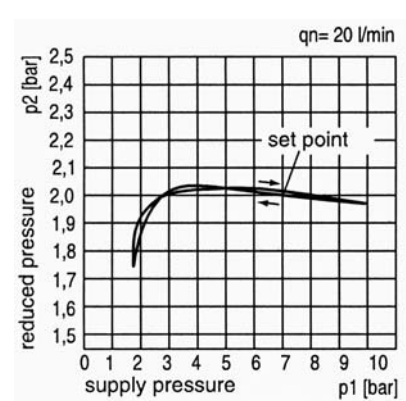
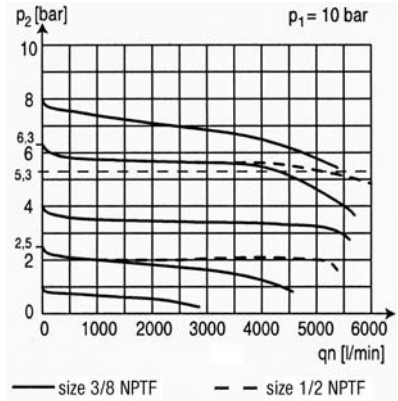
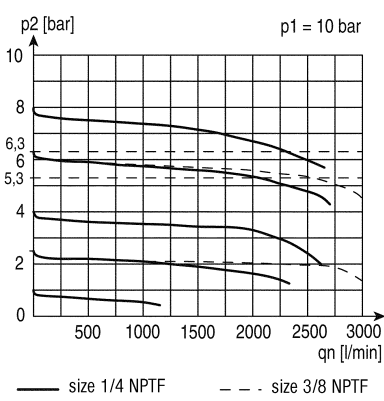
WYP-01 see page 12.099



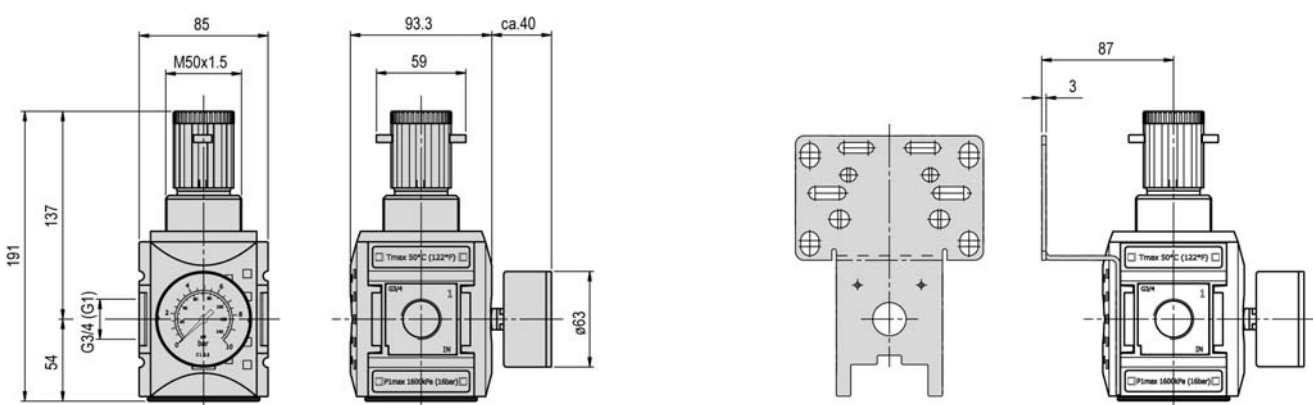
RY-38, RY-12 **WYP-02** see page 12.099



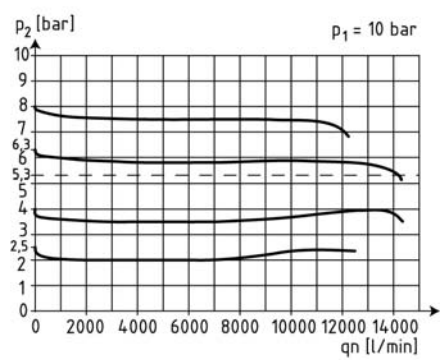
Flow characteristic: RY-14, RY-37 **Flow characteristic: RY-38, RY-12** **Pressure characteristic**



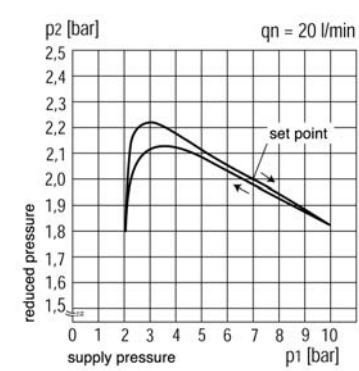
RY-34, RY-10 **WYP-03** see page 12.099



Flow characteristic: RY-34, RY-10



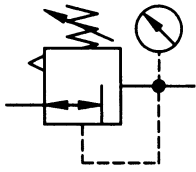
Pressure characteristic



Series Y

Precision regulator, modell RYP

G1/4 to G1/2



Order code

RYP-14-10-0-0001

Series

RYP = Standard

Size

14 = 1/4 (Y1)
 37 = 3/8 (Y1)
 38 = 3/8 (Y2)
 12 = 1/2 (Y2)

Pressure range

01 = 0.1 ... 1 bar
 (1.45 ... 14.5 psi)
 02 = 0.1 ... 2 bar
 (1.45 ... 29 psi)
 04 = 0.2 ... 4 bar
 (2.9 ... 58 psi)
 08 = 0.5 ... 8 bar
 (7.25 ... 116 psi)
 10 = 0.5 ... 10 bar
 (7.25 ... 145 psi)
 16 = 0.5 ... 16 bar
 (7.25 ... 232 psi)

Options for digit No.1, 2, 3

000* = without gauge,
 flow from left to right
 002 = with gauge,
 flow from left to right

Options for digit No. 4

1 = Standard

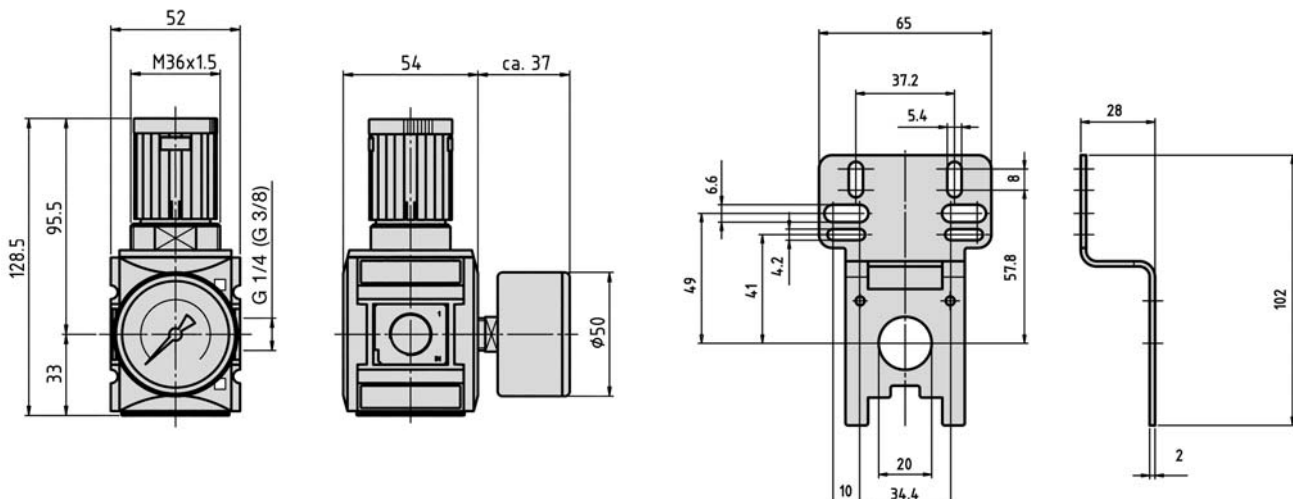
Order number Please complete according to order code.	RYP-14-...	RYP-37-...	RYP-38-...	RYP-12-...
Connection size	G1/4	G3/8	G3/8	G1/2
Series	Y1		Y2	
Mounting	with bracket or in-line, horizontal or vertical			
Input range	max. 16 bar (max. 232 psi)			
Output range*	0.5 ... 10 bar (7.25 ... 145 psi)* (others see order code)			
Flow rate	2200 NI/min (2.236 Cv)	2700 NI/min (2.744 Cv)	5000 NI/min (5.081 Cv)	
Temperature range	- 10 °C ... + 50 °C (+ 14 °F ... + 122 °F)			
Materials	Housing: Grivory (PA66); Connection: Grivory (PA66)			
Medium	Compressed air in accordance with ISO 8573-1:2001, Class 7 4 – and free of aggressive additives			
Weight without pressure gauge	0,292 kg		0,5 kg	

* = standard type

max. internal air consumption 2,6 l/min. bei p₂ = 6 bar. Regulator vents.

RYP-14, RYP-37

WYP-01 see page 12.099

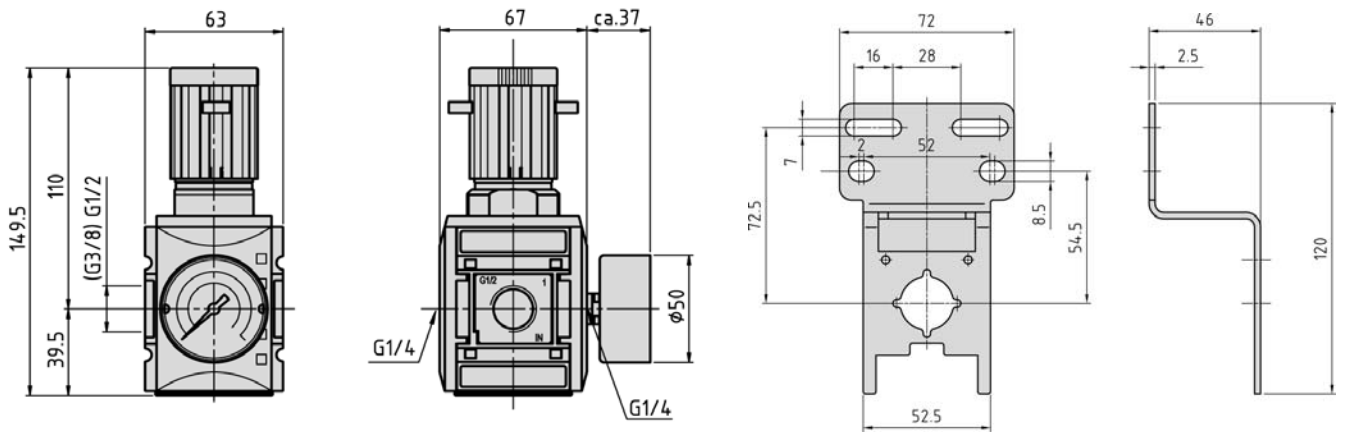


Series Y

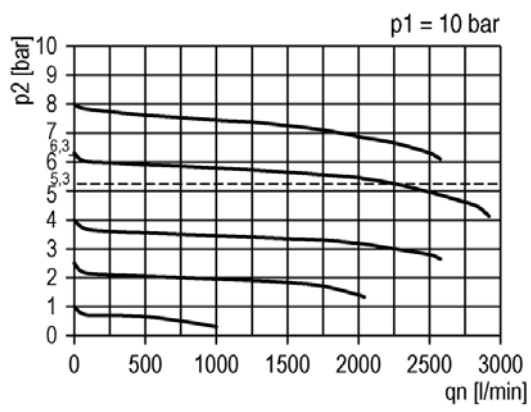
Precision regulator, modell RYP
G1/4 to G1/2



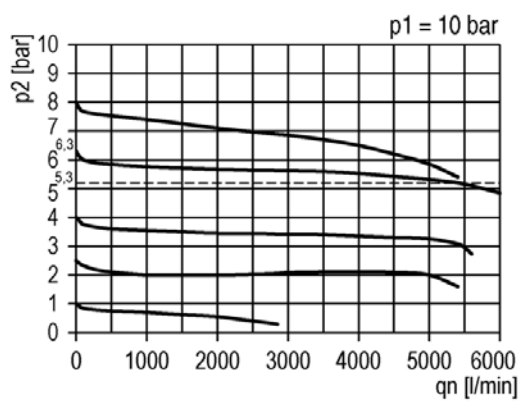
RYP-38, RYP-12 **WYP-02** see page 12.099



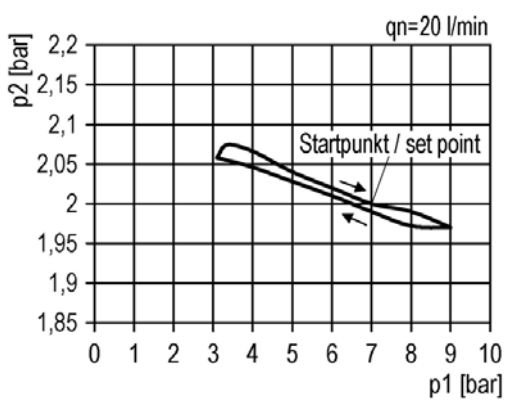
Flow characteristics: RYP-14, RYP-37



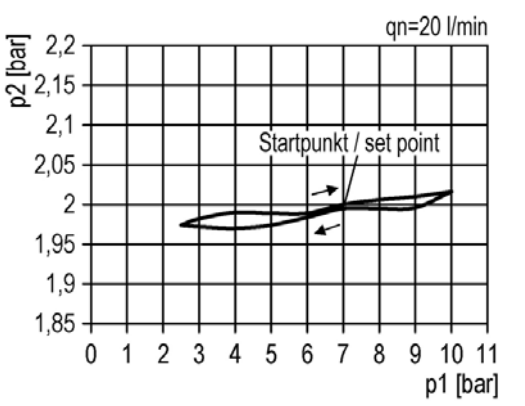
Flow characteristics: RYP-38, RYP-12



Pressure characteristic: RYP-14, RYP-37

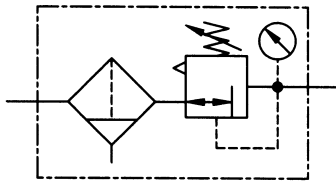


Pressure characteristic: RYP-38, RYP-12



Series Y

Filter/regulator, model FRY
G1/4 to G1



Order code

FRY-14-10-5-1221

Series

Size

14 = 1/4 (Y1)
37 = 3/8 (Y1)
38 = 3/8 (Y2)
12 = 1/2 (Y2)
34 = 3/4 (Y3)
10 = 1 (Y3)

Pressure range

04 = 0.2 ... 4 bar
(2.9 ... 58 psi)
08 = 0.5 ... 8 bar
(7.25 ... 116 psi)
10* = 0.5 ... 10 bar
(7.25 ... 145 psi)

Options for digit No. 1

1* = polycarbonate bowl
with PA-guard
3 = metal bowl with
sight glass

Options for digit No. 3

0 = without gauge,
flow from left to right
1 = without gauge,
flow from right to left
2* = with gauge,
flow from left to right
3 = with gauge,
flow from right to left

Options for digit No. 2

2* = semi-automatic drain
3 = auto drain,
NO at operating
pressure 0 bar
4 = auto drain,
NC at operating
pressure 0 bar

Options for digit No. 4

1 = standard

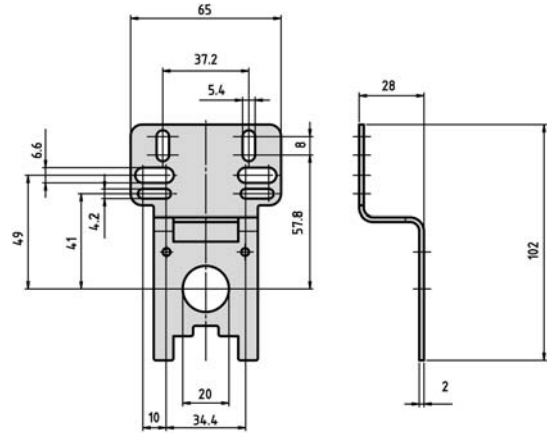
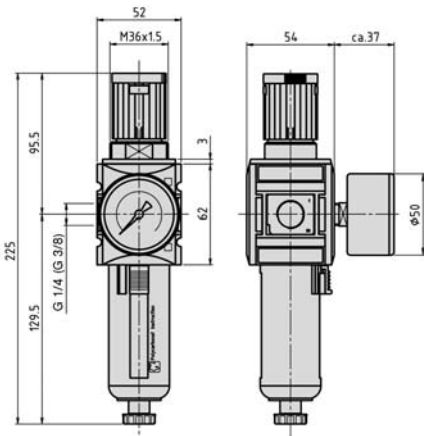
Order number Please complete according to order code.	FRY-14-...	FRY-37-...	FRY-38-...	FRY-12-...	FRY-34-...	FRY-10-...
Connection size	G1/4	G3/8	G3/8	G1/2	G3/4**	G1**
Series	Y1		Y2		Y3	
Mounting	vertically, drain plug at bottom					
Input range	max. 16 bar (max. 232 psi) 1.5 ... 10 bar with auto drain		max. 16 bar (max. 232 psi) 1.5 ... 12 bar with auto drain		max. 16 bar (max. 232 psi) 1.5 ... 10 bar with auto drain	
Output range*	0.5 ... 10 bar (7.25 ... 145 psi)* (others see order code)					
Flow rate	2600 NI/min (2.642 Cv)		4300 NI/min (4.37 Cv)	5200 NI/min (5.285 Cv)	14500 NI/min (14.74 Cv)	
Filter element	5 µm					
Bowl volume	28 cm ³		49 cm ³		87 cm ³	
Temperature range	50 °C (122 °F)					
Materials	Housing: Grivory (PA66); Connection: Grivory (PA66)					
Medium	Compressed air in accordance with ISO 8573-1:2001, Class 7 4 – and free of aggressive additives					
Weight without pressure gauge*	0.360 kg (0.794 lb.) 0.530 kg lockable (1.168 lbs.)		0.850 kg (1.874 lb.) 1.050 kg lockable (2.315 lbs.)		0.990 kg (2.18 lb.)	

* = standard type

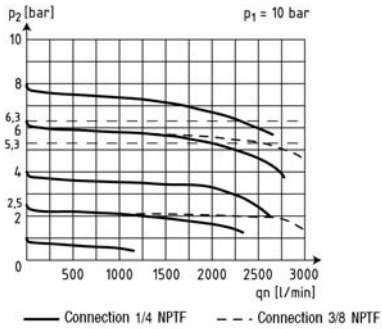
** = max. internal air consumption 1.5 l/min. Regulator vents.

FRY-14, FRY-37

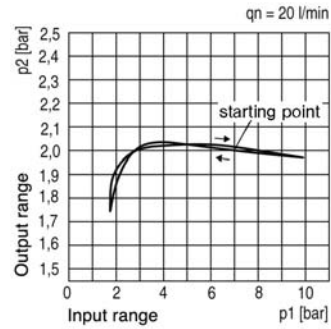
WYP-01 see page 12.099



Flow characteristic FRY-14, FRY-37

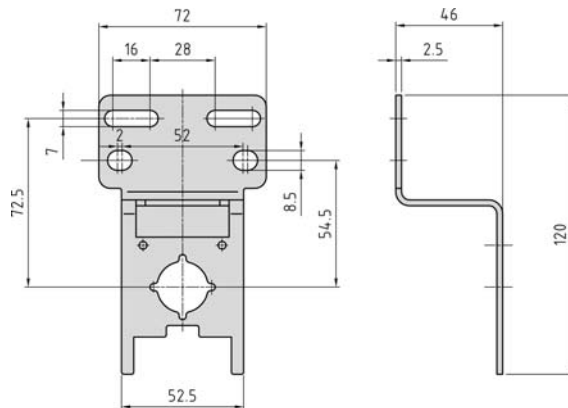
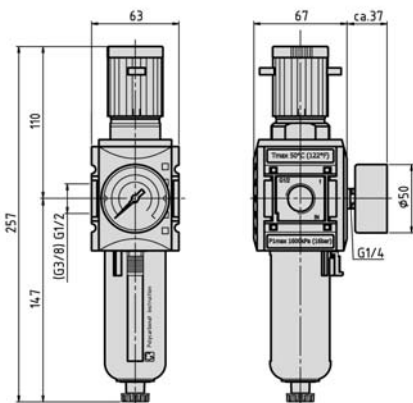


Pressure characteristic

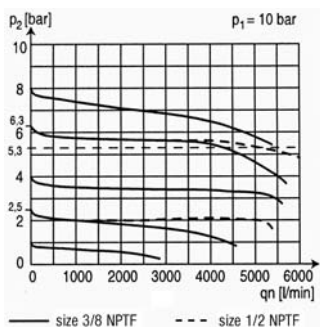


FRY-38, FRY-12

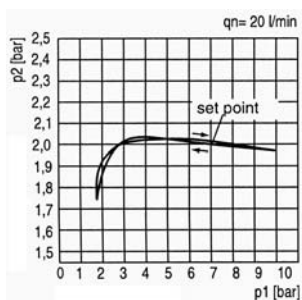
WYP-02 see page 12.099



Flow characteristic FRY-38, FRY-12

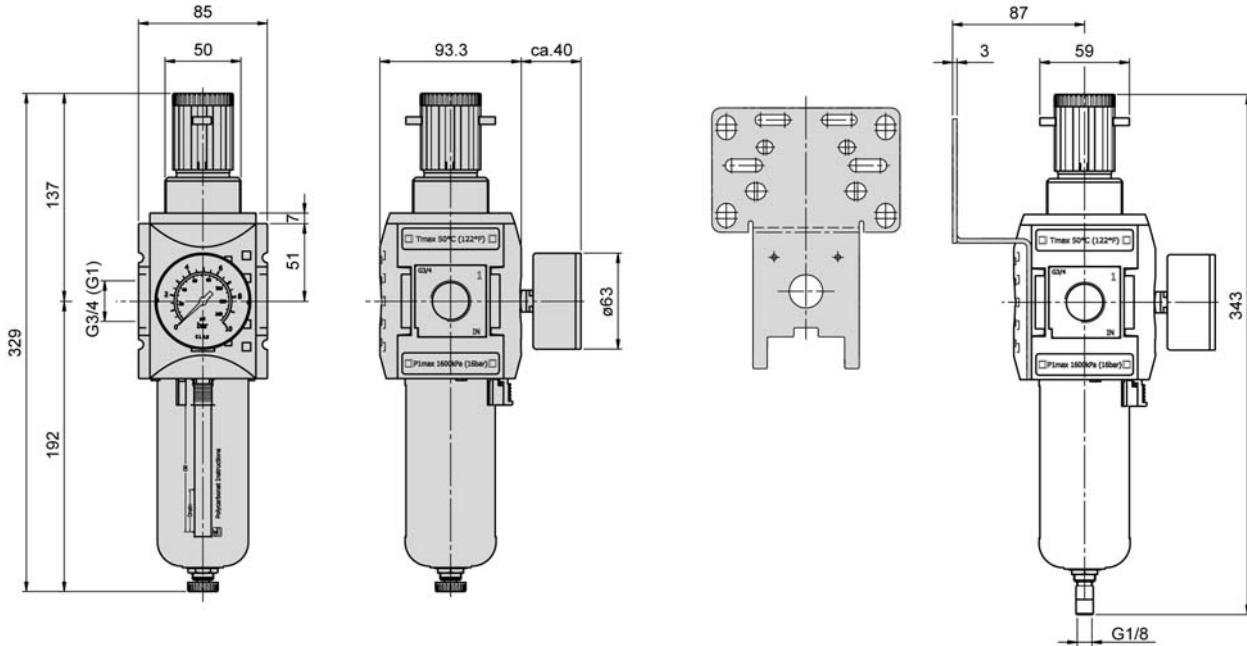


Pressure characteristic

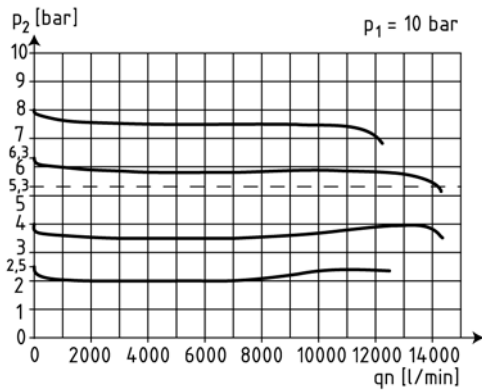


FRY-34, FRY-10

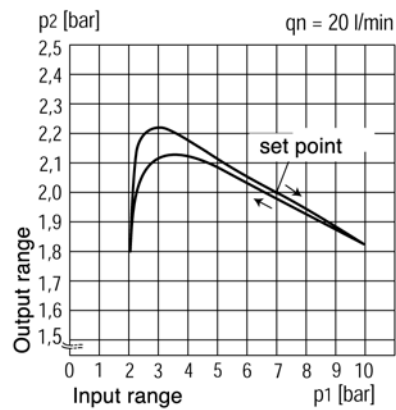
WYP-03 see page 12.099

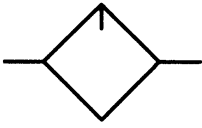


Flow characteristic FRY-38, FRY-12

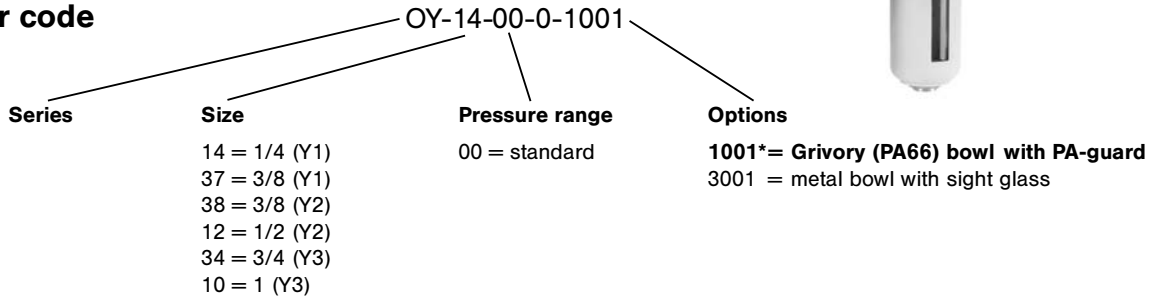


Pressure characteristic





Order code



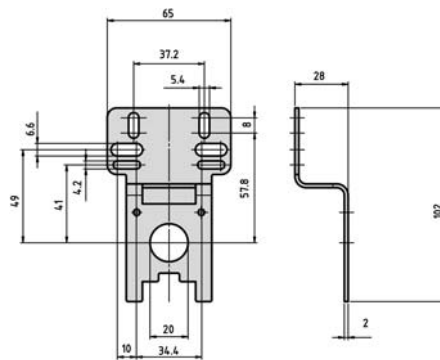
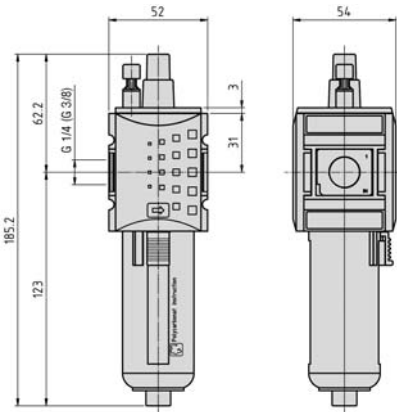
Order number Please complete according to order code.	OY-14-00-0-...	OY-37-00-0-...	OY-38-00-0-...	OY-12-00-0-...	OY-34-00-0-...	OY-10-00-0-...
Connection size	G1/4	G3/8	G3/8	G1/2	G3/4**	G1**
Series	Y1		Y2		Y3	
Mounting	vertically					
Input range	max. 16 bar, max. 20 bar with metal bowl (max. 232 psi, max. 290 psi)					
Flow rate*	2800 NI/min (2.845 Cv)	3100 NI/min (3.15 Cv)	8000 NI/min (8.13 Cv)		14500 NI/min (14.74 Cv)	
Bowl volume	40 cm ³		80 cm ³		181 cm ³	
Type of oil	HL 25 according to DIN 51524 – ISO VG 32					
Temperature range	0 °C ... + 50 °C (+ 32 °F ... + 122 °F)					
Materials	Housing: Grivory (PA66); Connection: Grivory (PA66)					
Weight*	0.230 kg (0.507 lb.)		0.690 kg (1.521 lbs.)		0.762 kg (1.680 lbs.)	

* = standard type

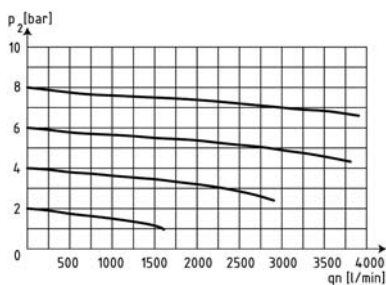
** = max. internal air consumption 1.5 l/min. Regulator vents.

OY-14, OY-37

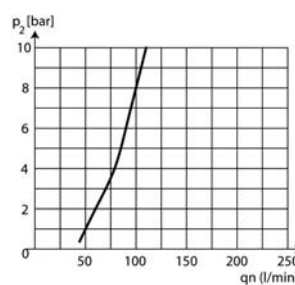
WYP-01 see page 12.099



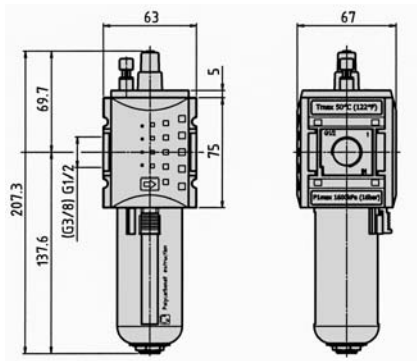
Flow characteristic OY-14, OY-37



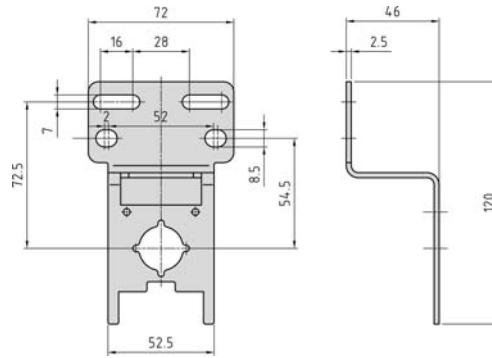
Lubricator: response pressure



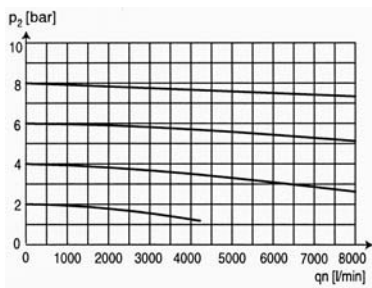
OY-38, OY-12



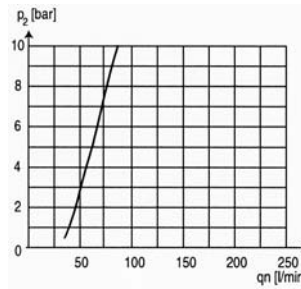
WYP-02 see page 12.099



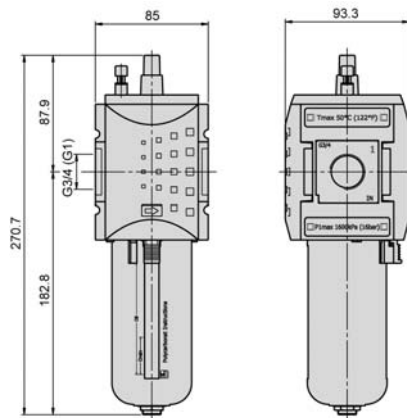
Flow characteristic OY-38, OY-12



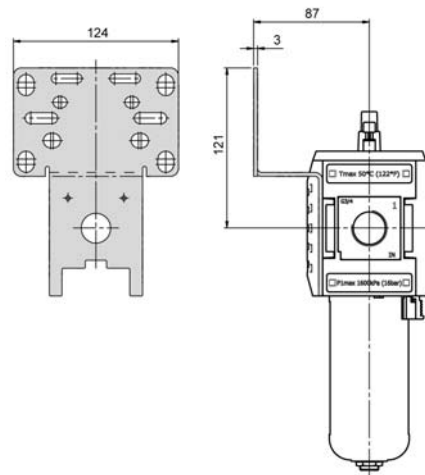
Lubricator: response pressure



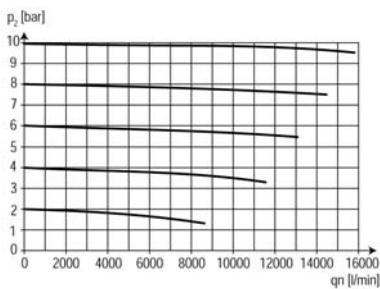
OY-34, OY-10



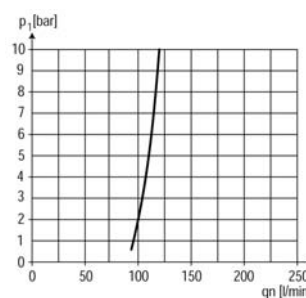
WYP-03 see page 12.099



Flow characteristic OY-34, OY-10



Lubricator: response pressure



Series Y

Filter, Regulator, Lubricator combination, model FROY
G1/4 to G1



Order code

FROY-14-10-5-1221

Series

Connection size

- 14 = 1/4 (Y1)
- 37 = 3/8 (Y1)
- 38 = 3/8 (Y2)
- 12 = 1/2 (Y2)
- 34 = 3/4 (Y3)
- 10 = 1 (Y3)

Pressure range

- 04 = 0.2 ... 4 bar
(2.9 ... 58 psi)
- 08 = 0.5 ... 8 bar
(7.25 ... 116 psi)
- 10* = 0.5 ... 10 bar**
(7.25 ... 145 psi)

Options for digit No. 1

- 1* = polycarbonate bowl with PA-guard**
- 3 = metal bowl with sight glass

Options for digit No. 3

- 0 = without gauge, flow from left to right
- 1 = without gauge, flow from right to left
- 2* = with gauge, flow from left to right**
- 3 = with gauge, flow from right to left

Options for digit No. 2

- 2* = semi-automatic drain**
- 3 = auto drain, NO at operating pressure 0 bar
- 4 = auto drain, NC at operating pressure 0 bar

Options for digit No. 4

- 1 = standard

Order number Please complete according to order code.	FROY-14-...	FROY-37-...	FROY-38-...	FROY-12-...	FROY-34-...	FROY-10-...
Connection size	G1/4	G3/8	G3/8	G1/2	G3/4**	G1**
Series	Y1		Y2		Y3	
Mounting	vertically, drain plug at bottom					
Input range	max. 16 bar (max. 232 psi) 1.5 ... 10 bar with auto drain		max. 16 bar (max. 232 psi) 1.5 ... 12 bar with auto drain		max. 16 bar (max. 232 psi) 1.5 ... 10 bar with auto drain	
Output range*	0.5 ... 10 bar (7.25 ... 145 psi)* (others see order code)					
Flow rate	2000 NI/min (2.032 Cv)	2600 NI/min (2.642 Cv)	4300 NI/min (4.37 Cv)	5200 NI/min (5.285 Cv)	12000 NI/min (12.2 Cv)	
Filter element	5 µm					
Bowl volume	Filter regulator: 28 cm ³ Lubricator: 40 cm ³		Filter regulator: 49 cm ³ Lubricator: 80 cm ³		Filter regulator: 87 cm ³ Lubricator: 181 cm ³	
Temperature range	50 °C (+ 122 °F)					
Materials	Housing: Grivory (PA66); Connection: Grivory (PA66)					
Medium	Compressed air in accordance with ISO 8573-1:2001, Class 7 4 – and free of aggressive additives					
Weight without pressure gauge*	0.633 kg (1.395 lbs.) 0.673 kg (1.484 lbs.) lockable		1.010 kg (2.227 lbs.) 1.050 kg (2.315 lbs.) lockable		1.827 kg (4.024 lbs.)	

* = standard type

** = max. internal air consumption 1.5 l/min. Regulator vents.

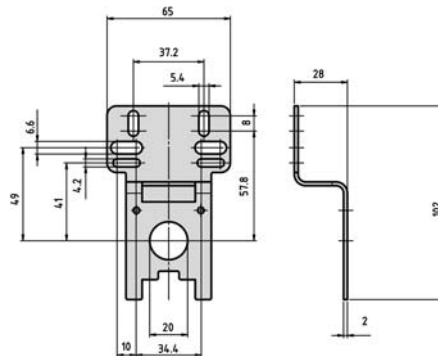
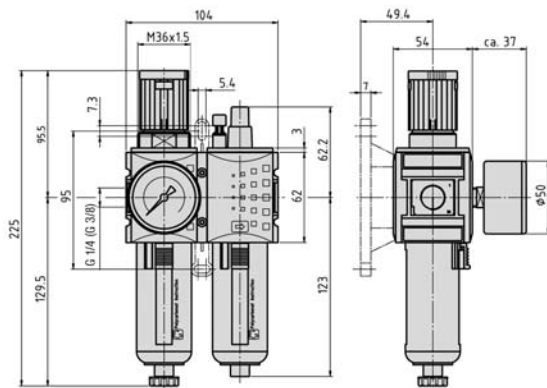
Series Y

Filter, Regulator, Lubricator combination, model FROY
G1/4 – G1/2

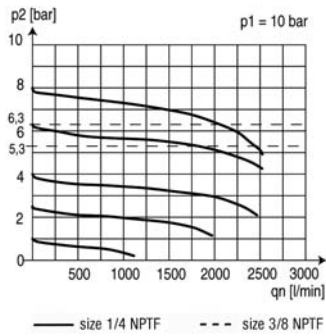


FROY-14, FROY-37

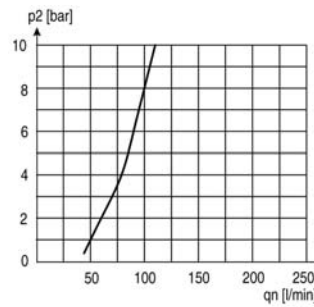
WYP-01 see page 12.099



Flow characteristic FROY-14, FROY-37

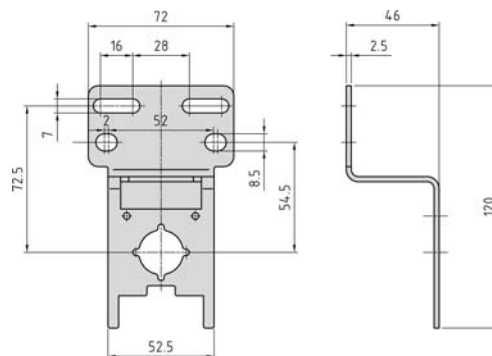
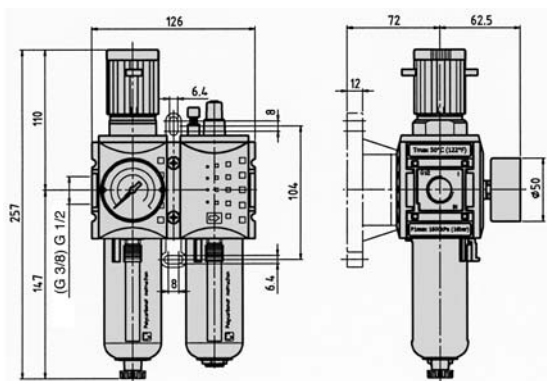


Lubricator: response pressure

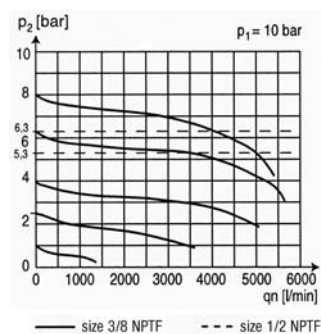


FROY-38, FROY-12

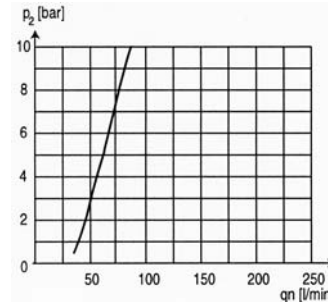
WYP-02 see page 12.099



Flow characteristic FROY-38, FROY-12



Lubricator: response pressure

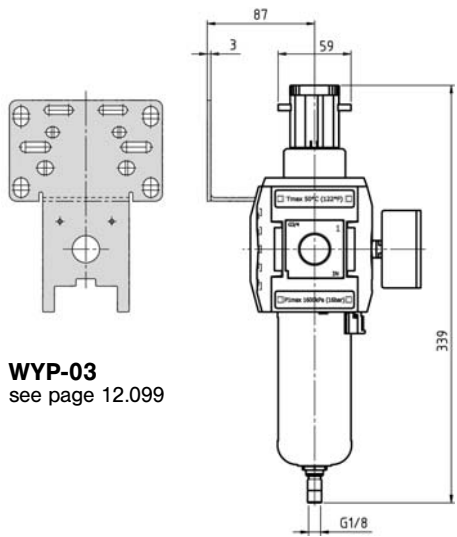
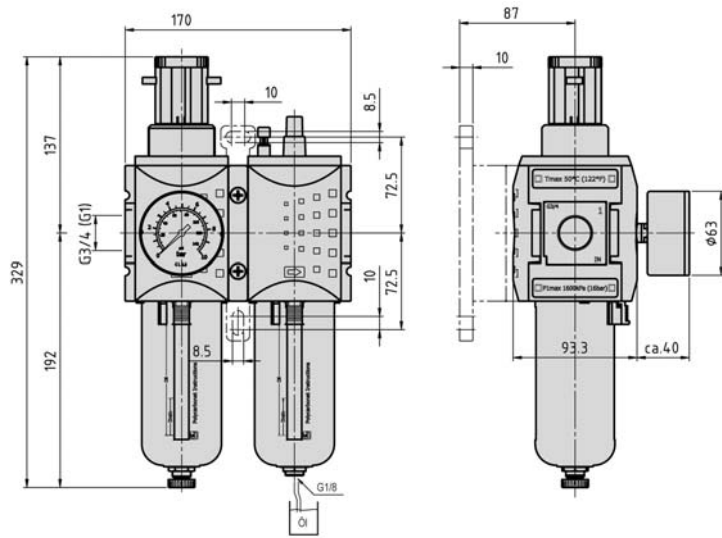


Series Y

Filter, Regulator, Lubricator combination, model FROY
G3/4 – G1

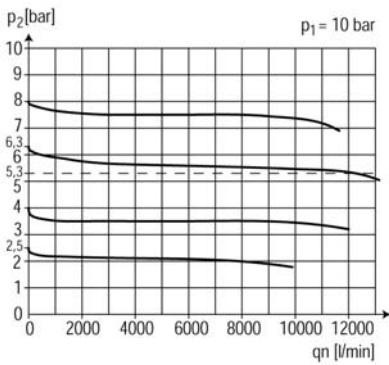


FROY-34, FROY-10

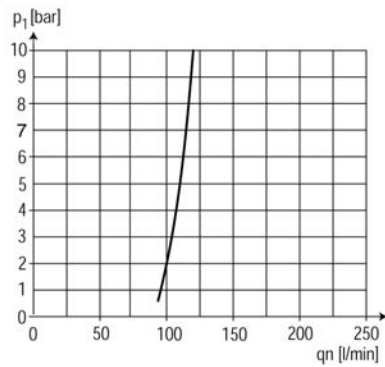


WYP-03
see page 12.099

Flow characteristic FROY-34, FROY-10



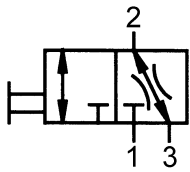
Lubricator: response pressure



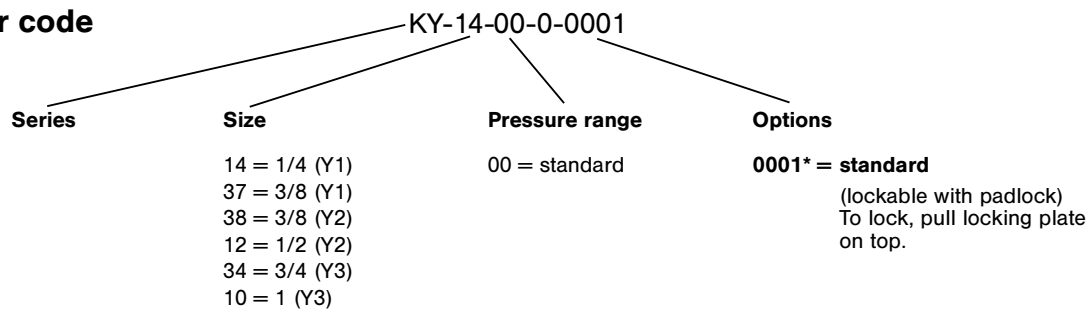
Series Y

Lockable ball valve, model KY

G1/4 – G1



Order code



Design and function

3/2-way ball valve for the shut-off of downstream air.
 Easy block assembly for components to be connected in series.
 The components of series Y can easily be connected by using the coupling kit KPY.

Order number <small>Please complete according to order code.</small>	KY-14-00-0-...	KY-37-00-0-...	KY-38-00-0-...	KY-12-00-0-...	KY-34-00-0-...	KY-10-00-0-...
Connection size	G1/4	G3/8	G3/8	G1/2	G3/4**	G1**
Series	Y1		Y2		Y3	
Mounting	with bracket or in-line, horizontal or vertical					
Input range	max. 16 bar (max. 232 psi)					
Flow rate	2000 NI/min (2.032 Cv)		4300 NI/min (4.37 Cv)	5200 NI/min (5.285 Cv)	14500 NI/min (14.74 Cv)	
Temperature range	0 °C ... + 50 °C (+ 32 °F ... + 122 °F)					
Materials	Housing: Grivory (PA66); Connection: Grivory (PA66)					
Weight*	0.200 kg (0.441 lb.)		0.820 kg (1.808 lbs.)		0.825 kg (1.82 lbs.)	

* = standard type

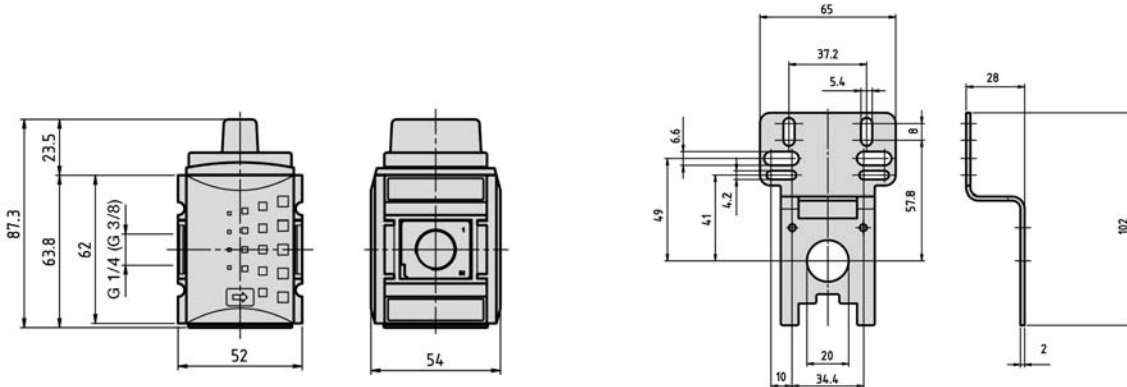
** = max. internal air consumption 1.5 l/min. Regulator vents.

Series Y

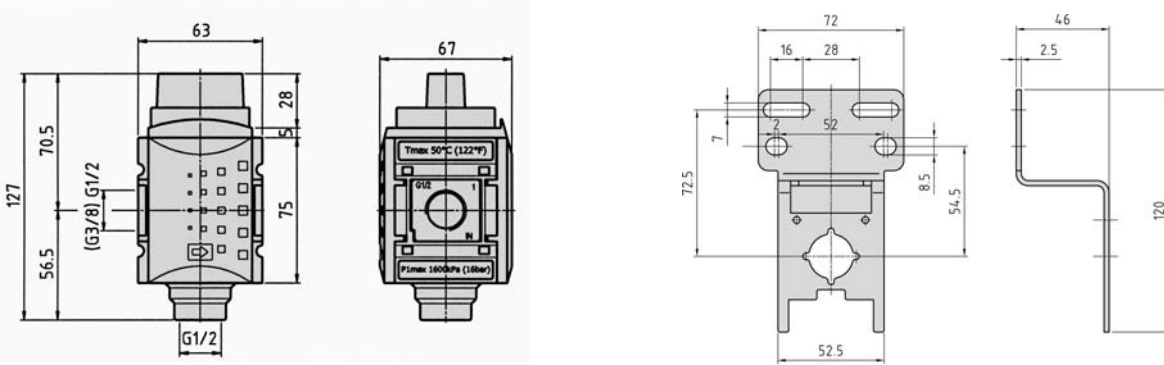
Lockable ball valve, model KY
G1/4 – G1



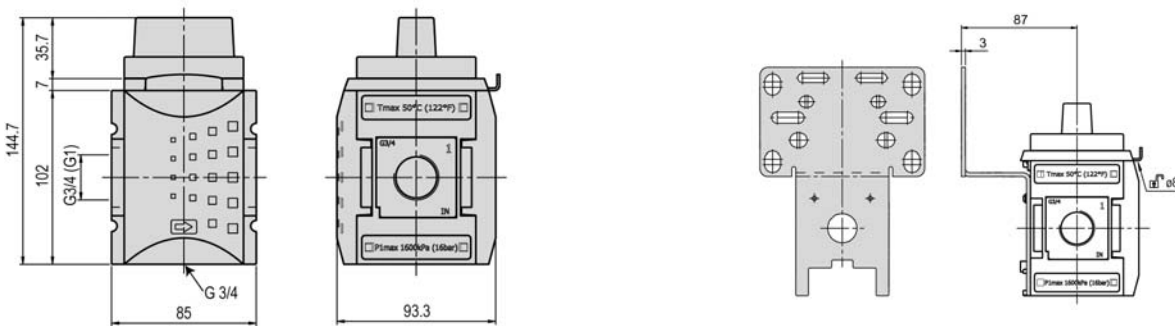
KY-14, KY-37 **WYP-01** see page 12.099



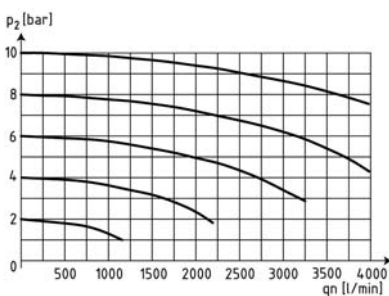
KY-38, KY-12 **WYP-02** see page 12.099



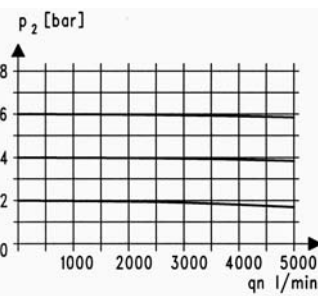
KY-34, KY-10 **WYP-03** see page 12.099



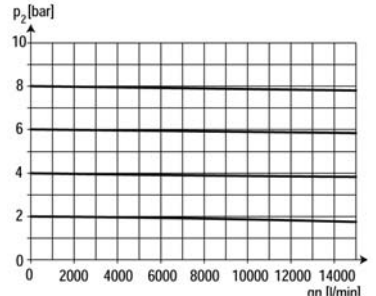
Flow characteristic KY-14, KY-37



Flow characteristic KY-38, KY-12

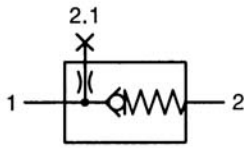


Flow characteristic KY-34, KY-10

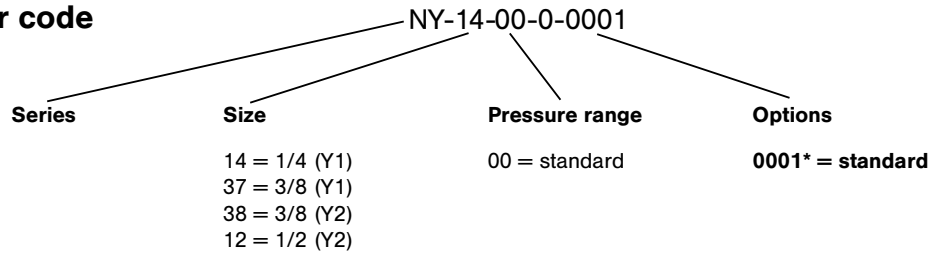


Series Y

Non-return valve, model NY
G1/4 – G1/2



Order code



Order number Please complete according to order code.	NY-14-00-0-...	NY-37-00-0-...	NY-38-00-0-...	NY-12-00-0-...
Connection size	G1/4	G3/8	G3/8	G1/2
Series	Y1		Y2	
Mounting	with bracket or in-line, horizontal or vertical			
Input range	max. 16 bar (max. 232 psi)			
Flow rate	1250 NI/min (1.27 Cv)		5000 NI/min (5.08 Cv)	
Temperature range	0 °C ... + 60 °C (+ 32 °F ... + 140 °F)			
Materials	Housing: Grivory (PA66); Connection: Grivory (PA66)			
Weight*	0.250 kg (0.551 lb.)		0.320 kg (0.705 lb.)	

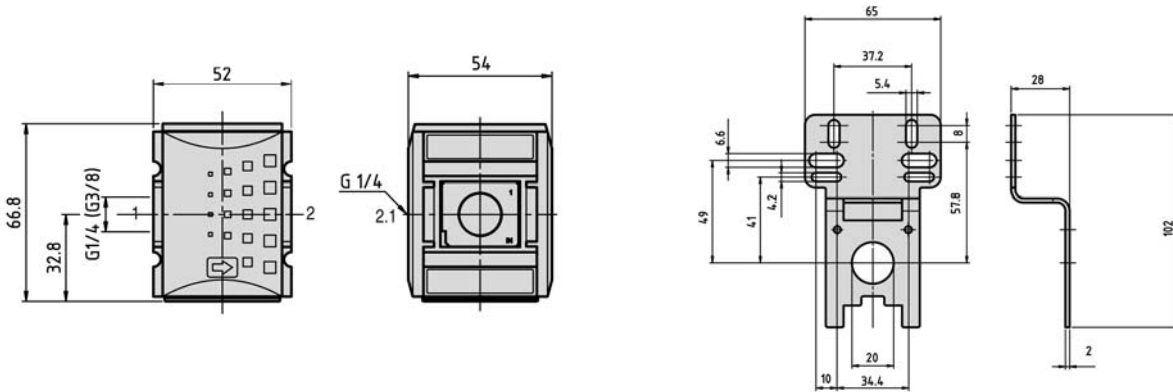
* = standard type

Series Y

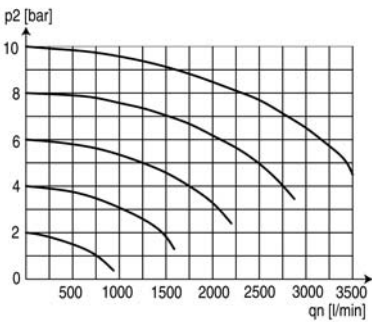
Non-return valve, model NY
G1/4 – G1/2



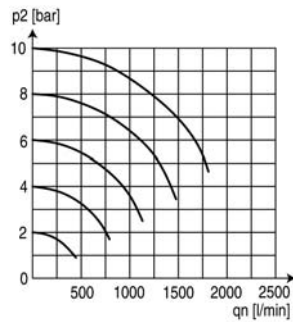
NY-14, NY-37 **WYP-01** see page 12.099



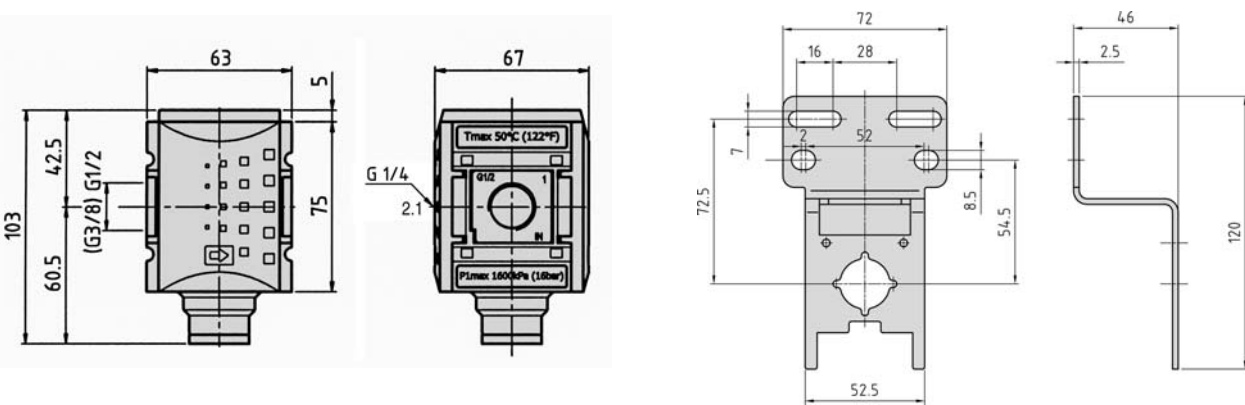
Flow characteristic NY-14, NY-37
nominal flow from 1 → 2



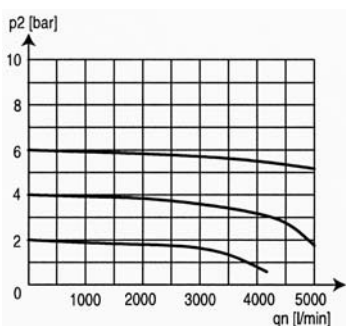
Flow characteristic NY-14, NY-37
nominal flow from 1 → 2.1



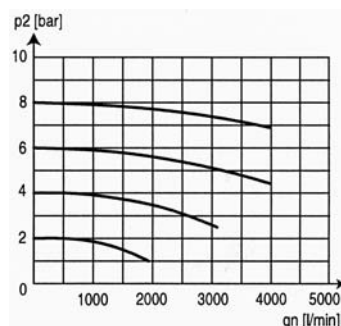
NY-38, NY-12 **WYP-02** see page 12.099



Flow characteristic NY-38, NY-12
nominal flow from 1 → 2



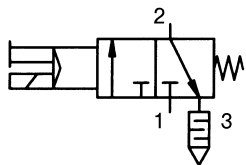
Flow characteristic NY-38, NY-12
nominal flow from 1 → 2.1



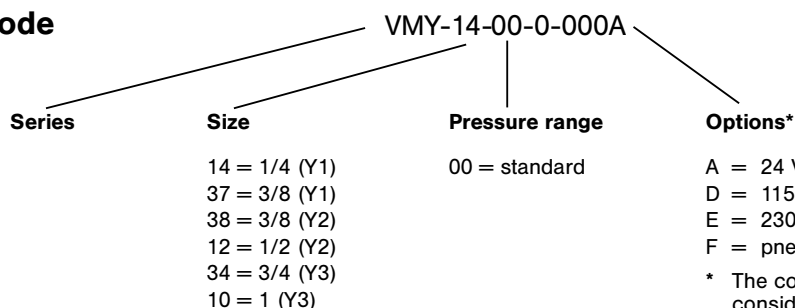
Series Y

3/2-way inline valve, model VMY

G1/4 to G1



Order code



Design and function

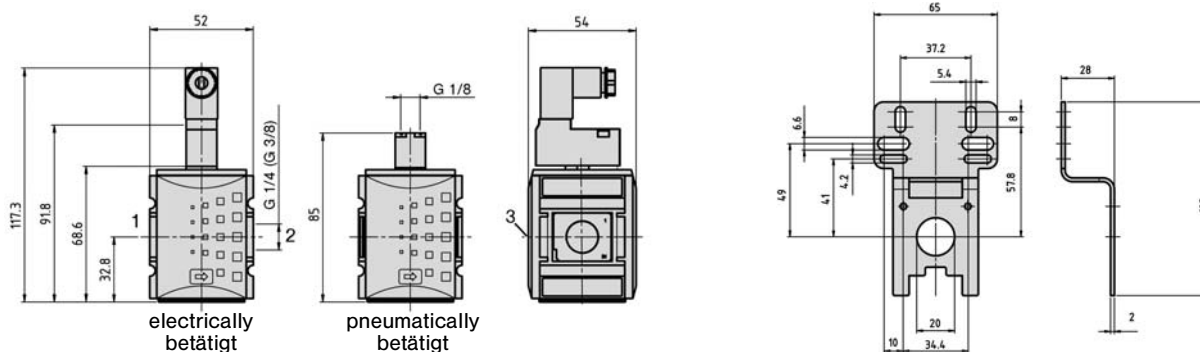
Solenoid or pneumatically operated 3/2-way poppet valve with spring return. The solenoid and plug socket are supplied with the unit. Easy block assembly for components to be connected in series. The components of series Y can be easily connected by using the coupling kit KPY.

Order number Please complete according to order code.	VMY-14-00-0-...	VMY-37-00-0-...	VMY-38-00-0-...	VMY-12-00-0-...	VMY-34-00-0-...	VMY-10-00-0-...
Connection size	G1/4	G3/8	G3/8	G1/2	G3/4*	G1*
Series	Y1		Y2	Y3		
Mounting	with bracket or in-line, horizontal or vertical					
Pressure range	2 ... 10 bar (29 ... 145 psi)					
Duty cycle	100 %					
Degree of protection	IP 65 according to EN 60529					
Flow rate	1800 NI/min (1.829 Cv)	2000 NI/min (2.032 Cv)	4300 NI/min (4.37 Cv)	5200 NI/min (5.285 Cv)	12500 NI/min (12.71 Cv)	
Temperature range	0 °C ... + 50 °C (+ 32 °F ... + 122 °F)					
Materials	Housing: Grivory (PA66); Connection: Grivory (PA66)					
Weight	0.196 kg (0.432 lb.)		1.050 kg (2.315 lbs.)		0.677 kg (1.49 lbs.)	

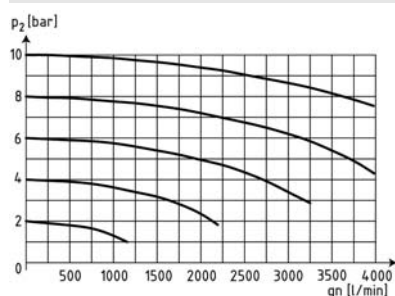
* = max. internal air consumption 1.5 l/min. Regulator vents.

VMY-14, VMY-37

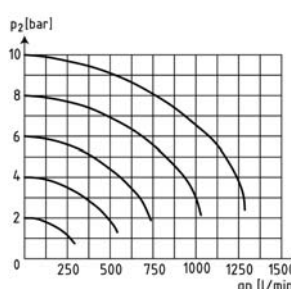
WYP-01 see page 12.099



Flow characteristic VMY-14, VMY-37



Rear exhaust flow characteristic

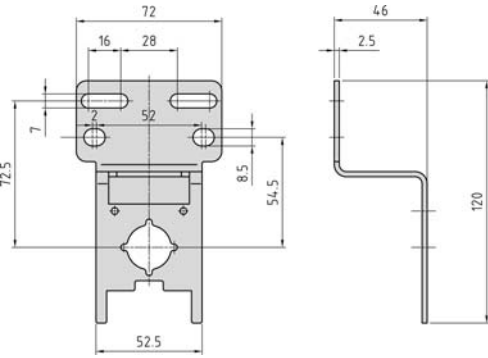
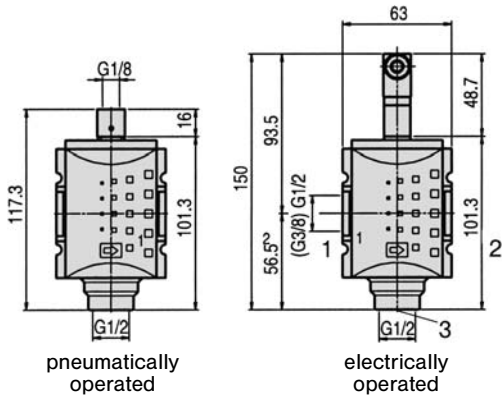


Series Y

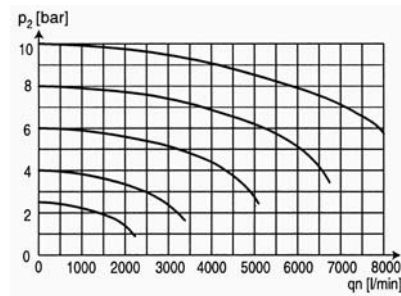
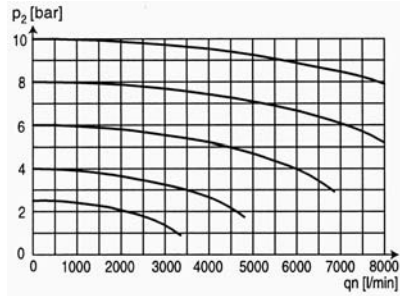
3/2-way inline valve, model VMY
G1/4 to G1



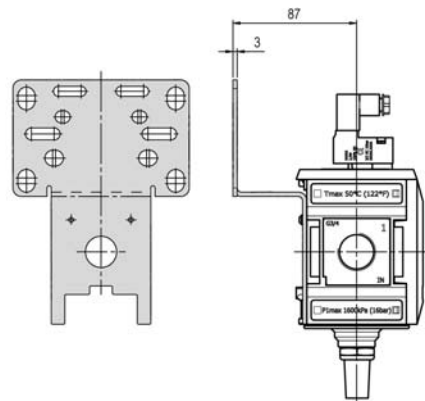
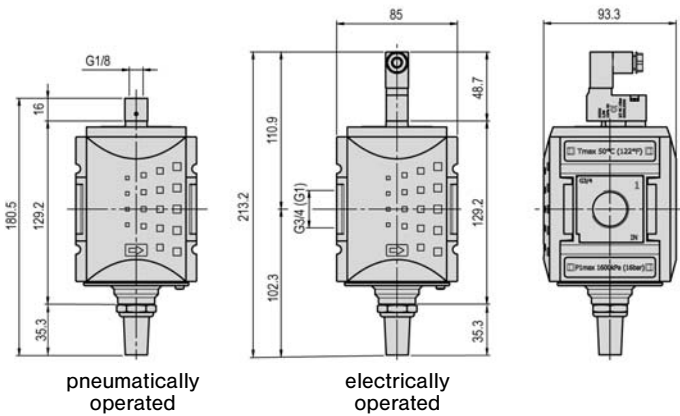
VMY-38, VMY-12 **WYP-02** see page 12.099



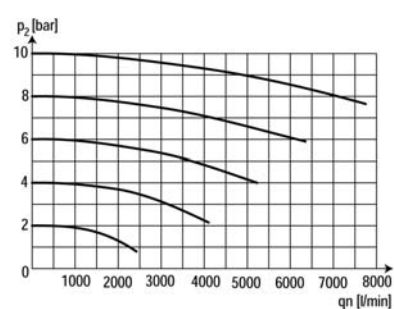
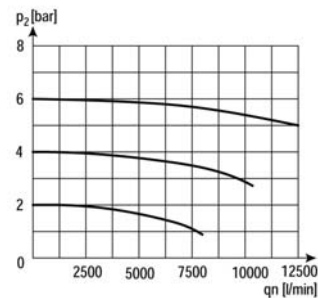
Flow characteristic VMY-38, VMY-12 **Rear exhaust flow characteristic**



VMY-34, VMY-10 **WYP-03** see page 12.099

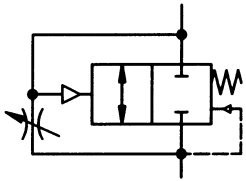


Flow characteristic VMY-34, VMY-10 **Rear exhaust flow characteristic**

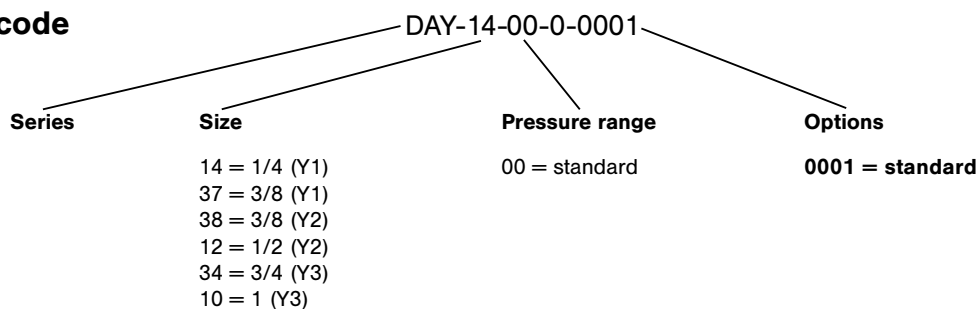


Series Y

Soft start valve, model DAY
G1/4 to G1



Order code



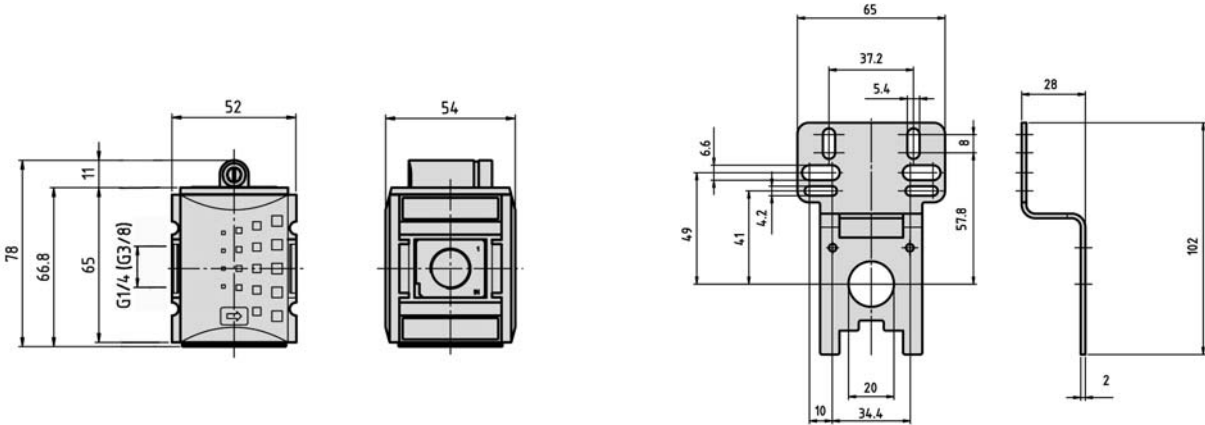
Design and function

Soft start valve with adjustable filling time. This valve can be used to slowly increase the system pressure through an adjustable throttle. When 50 % of the incoming pressure is achieved the valve opens completely. The components of series Y can be easily connected by using the coupling kit KPY.

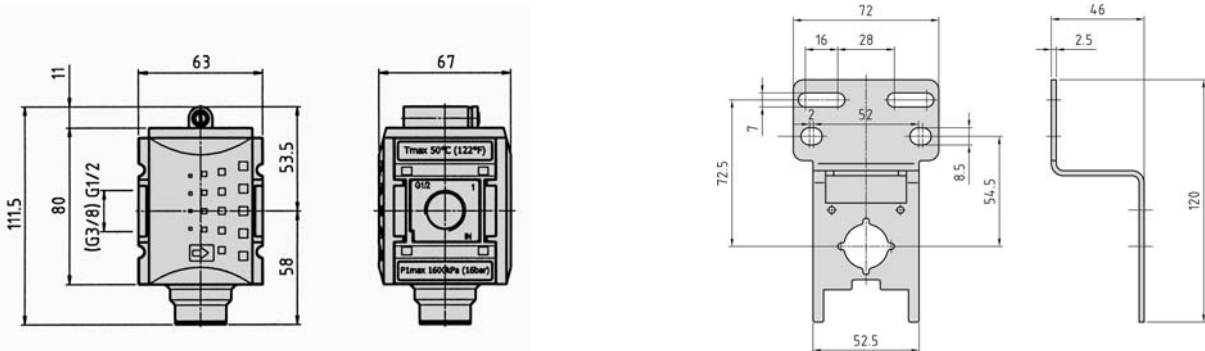
Order number	DAY-14-00-0-0001	DAY-37-00-0-0001	DAY-38-00-0-0001	DAY-12-00-0-0001	DAY-34-00-0-0001	DAY-10-00-0-0001
Connection size	G1/4	G3/8	G3/8	G1/2	G3/4*	G1*
Series	Y1		Y2		Y3	
Mounting	with bracket or in-line, horizontal or vertical					
Pressure range	2 ... 16 bar (29 ... 232 psi)				2.5 ... 16 bar (36.25 ... 232 psi)	
Flow rate	1800 NI/min (1.829 Cv)	2000 NI/min (2.032 Cv)	4300 NI/min (4.37 Cv)	5200 NI/min (5.285 Cv)	10000 NI/min (10.17 Cv)	
Temperature range	0 °C ... + 50 °C (+ 32 °F ... + 122 °F)					
Materials	Housing: Grivory (PA66); Connection: Grivory (PA66)					
Weight	0.180 kg (0.397 lb.)		0.330 kg (0.727 lb.)		0.430 kg (0.95 lb.)	

* = max. internal air consumption 1.5 l/min. Regulator vents.

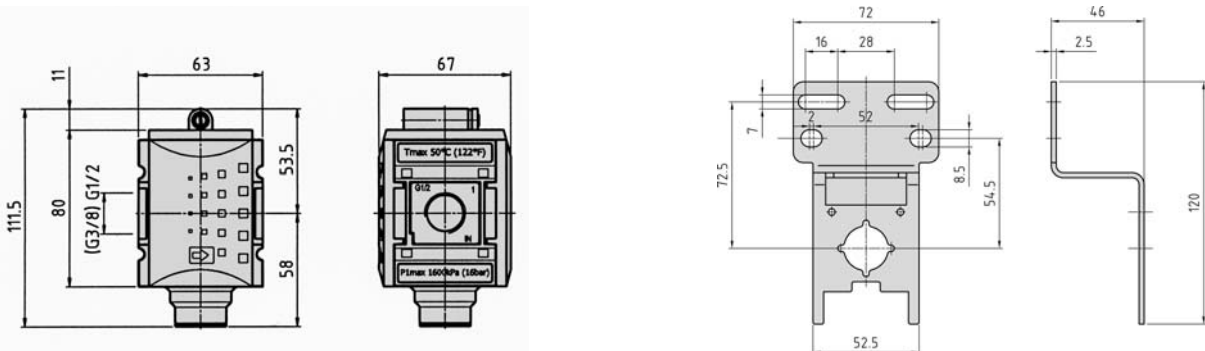
DAY-14, DAY-37 **WYP-01** see page 12.099



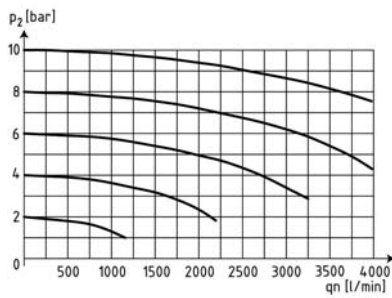
DAY-38, DAY-12 **WYP-02** see page 12.099



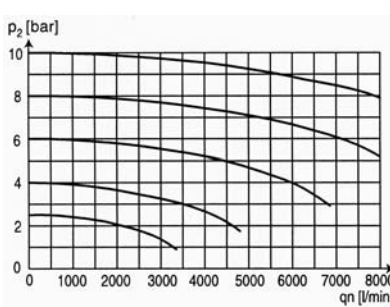
DAY-34, DAY-10 **WYP-03** see page 12.099



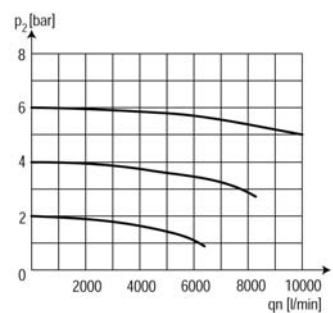
Flow characteristic DAY-14, DAY-37



Flow characteristic DAY-38, DAY-12

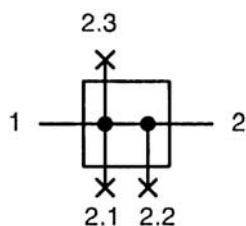


Flow characteristic DAY-34, DAY-10

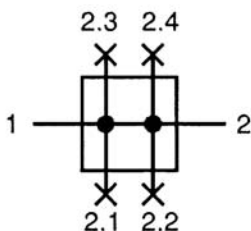


Series Y

Distribution block, model TY
G1/4 to G1



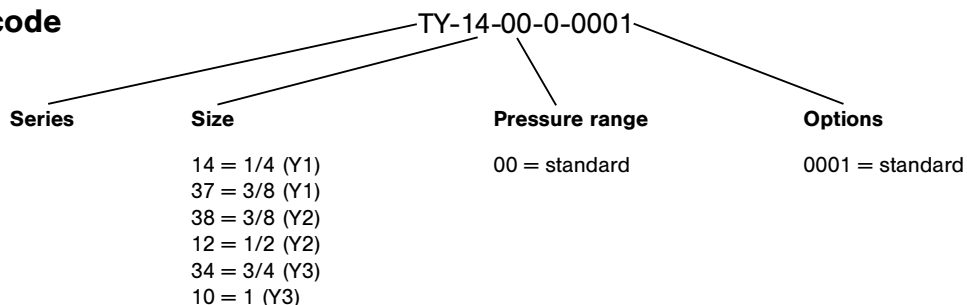
Series Y1



Series Y2



Order code



Order number	TY-14-00-0-0001	TY-37-00-0-0001	TY-38-00-0-0001	TY-12-00-0-0001	TY-34-00-0-0001	TY-10-00-0-0001
Connection size	G1/4	G3/8	G3/8	G1/2	G3/4*	G1*
Outlets	4 x G1/4	1 x G3/8 3 x G1/4	3 x G3/8 1 x G1/4 1 x G1/2	2 x G1/2 2 x G3/8 1 x G1/4	4 x G3/4	2 x G1 2 x G3/4
Series	Y1		Y2		Y3	
Mounting	with bracket or in-line, horizontal or vertical					
Pressure range	0 ... 16 bar (0 ... 232 psi)					
Flow rate	2700 NI/min (2.744 Cv)	3600 NI/min (3.659 Cv)	7250 NI/min (7.368 Cv)	11000 NI/min (11.179 Cv)	18000 NI/min (18.3 Cv)	
Temperature range	0 °C ... + 60 °C (+ 32 °F ... + 140 °F)					
Materials	Housing: Grivory (PA66); Connection: Grivory (PA66)					
Weight	0.250 kg (0.551 lb.)				0.648 kg (1.43 lbs.)	

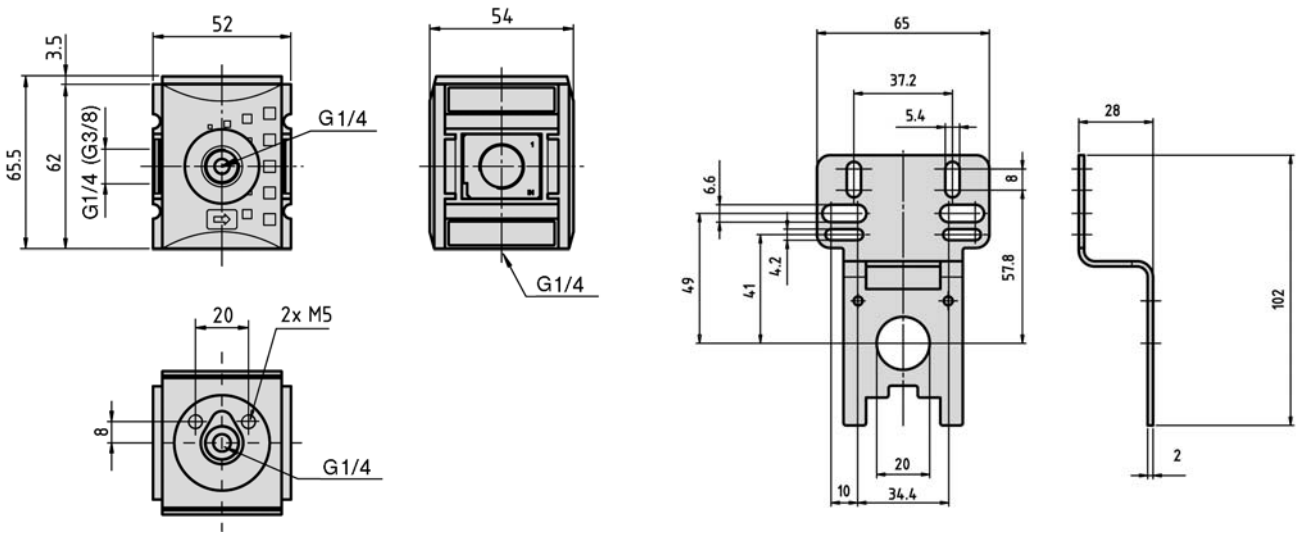
* = max. internal air consumption 1.5 l/min. Regulator vents.

Series Y

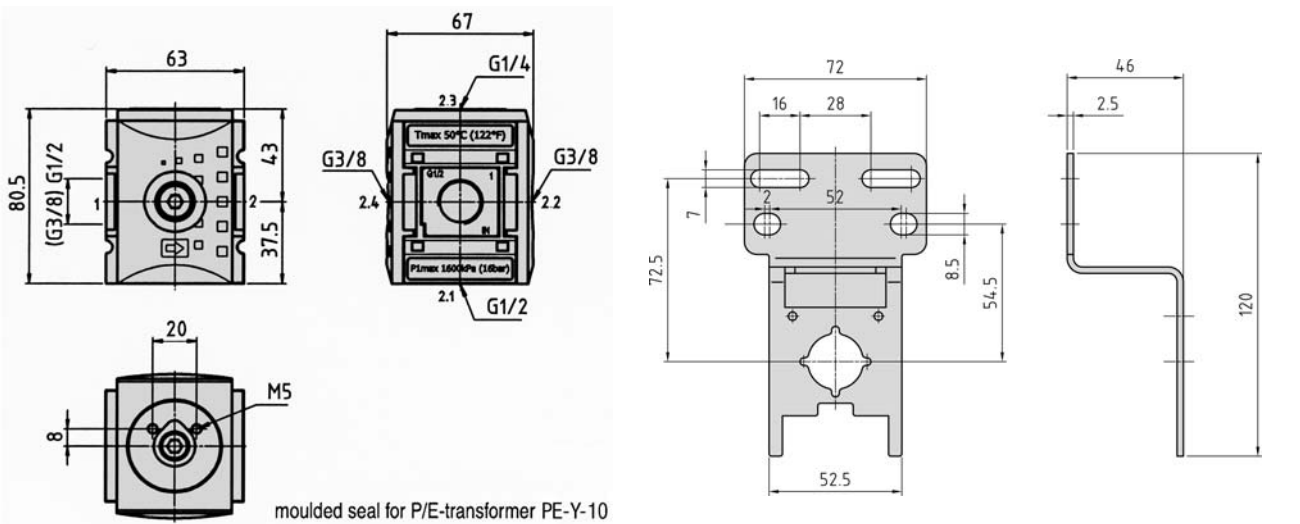
Distribution block, model TY
G1/4 to G1



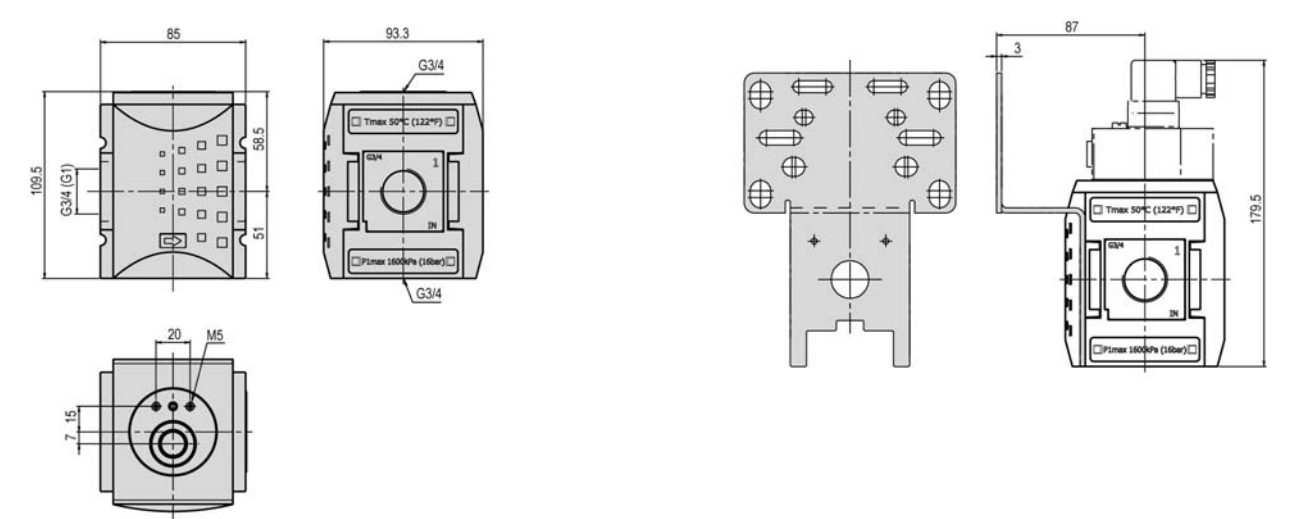
TY-14, TY-37 **WYP-01** see page 12.099



TY-38, TY-12 **WYP-02** see page 12.099



TY-34, TY-10 **WYP-03** see page 12.099

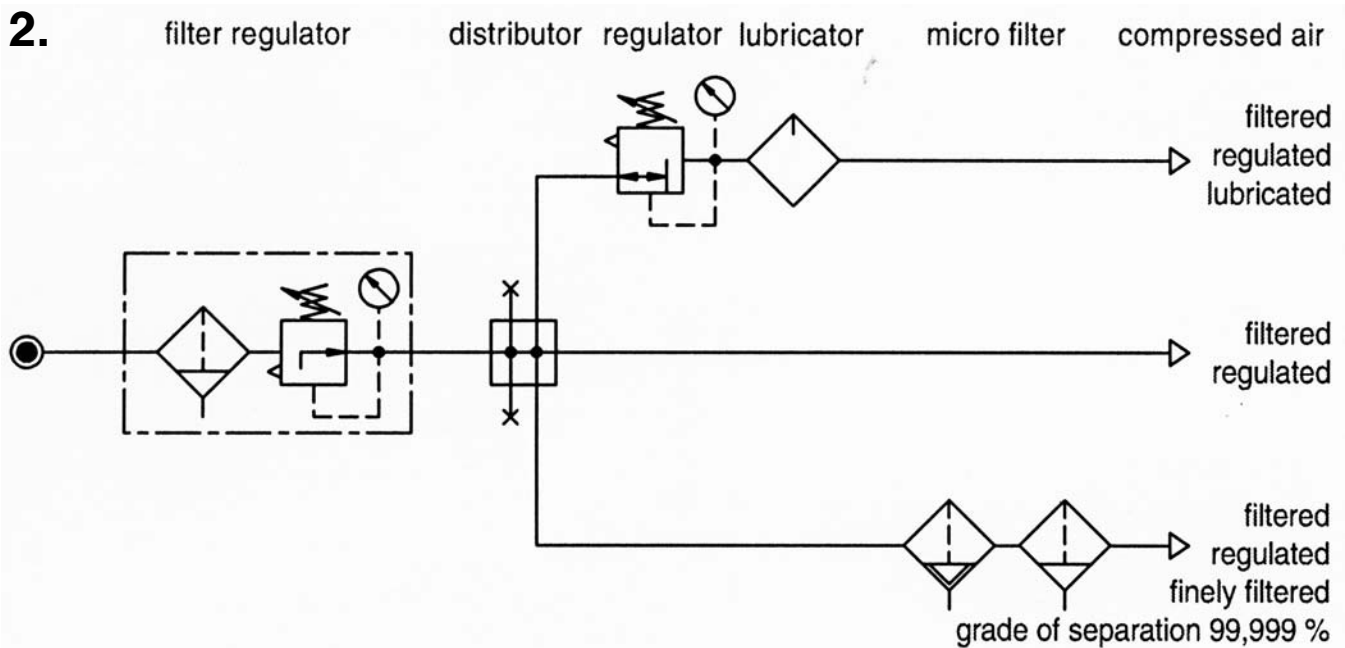
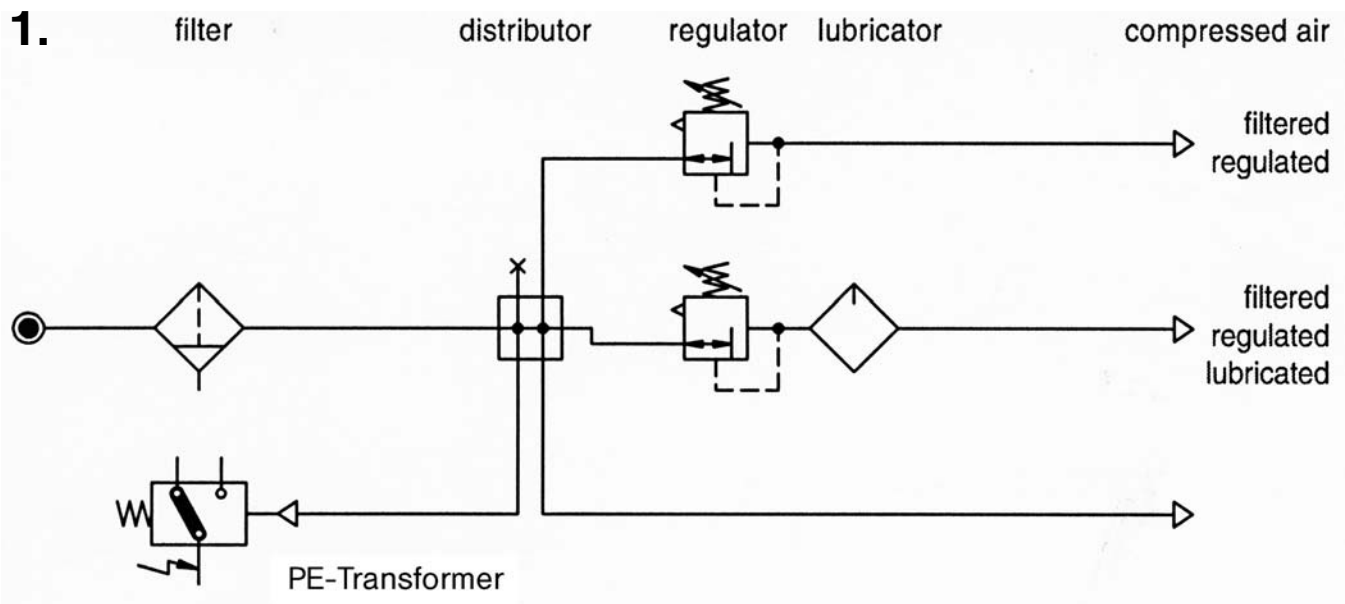


Series Y

Distribution block, model TY
G1/4 to G1/2



Areas of application for TY-14, TY-37, TY-38, TY-12, TY-34, TY-10

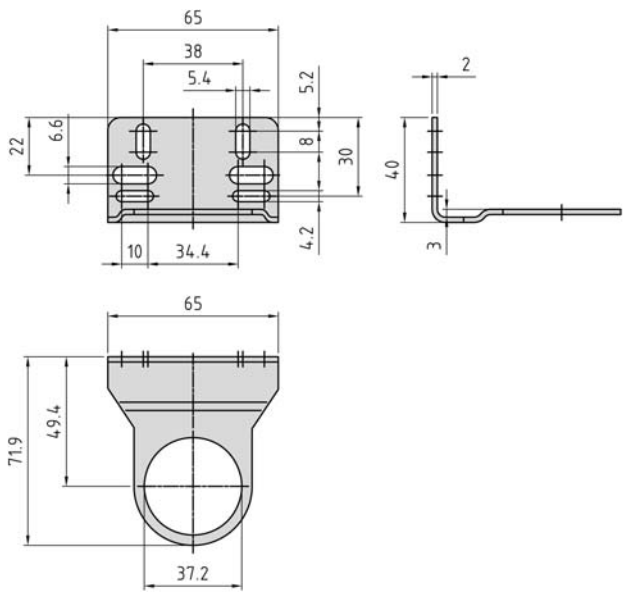


Series Y

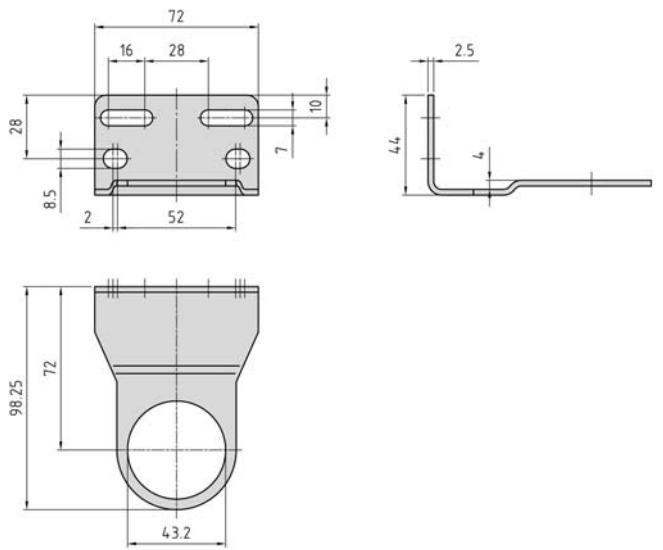
Accessories for air service units
G1/4 to G1



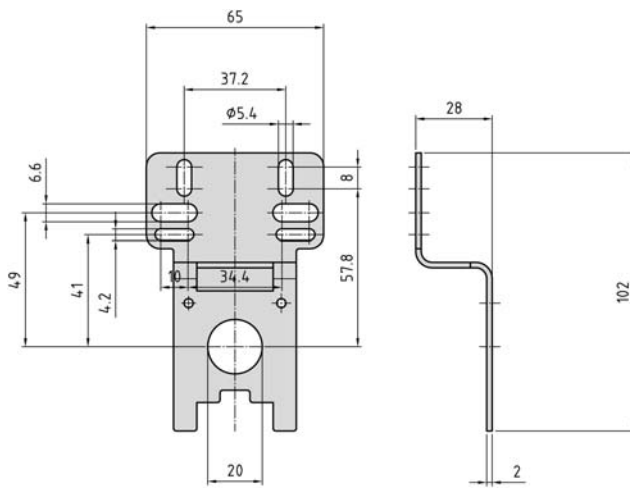
Mounting brackets WYL-01



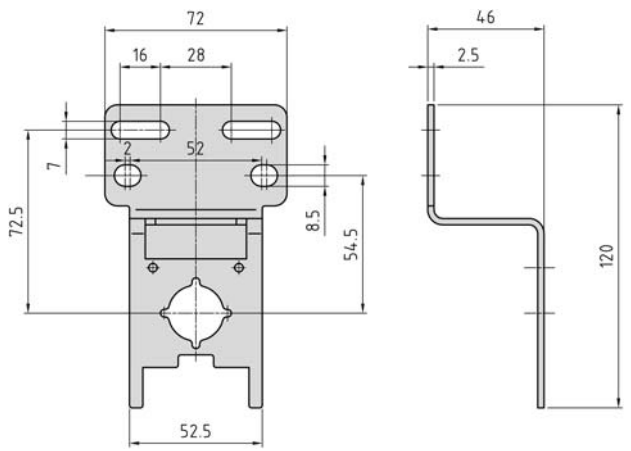
Mounting brackets WYL-02



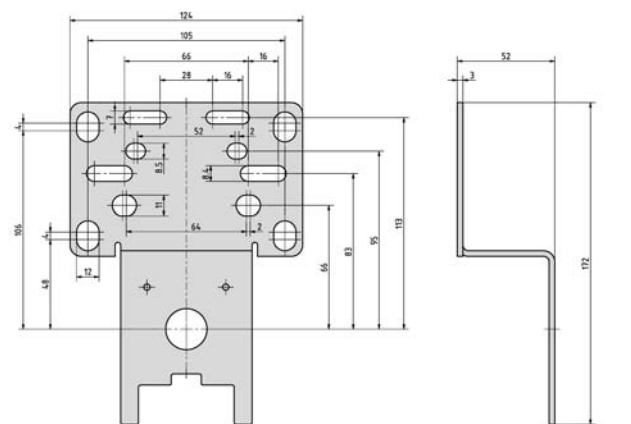
Mounting brackets WYP-01



Mounting brackets WYP-02



Mounting brackets WYP-03



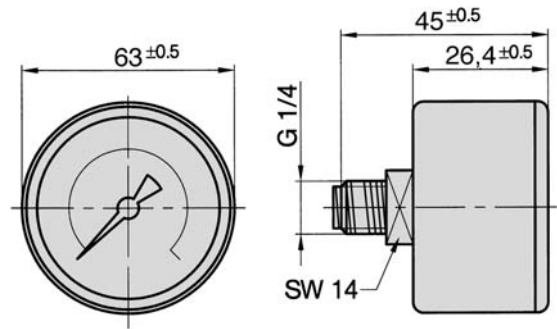
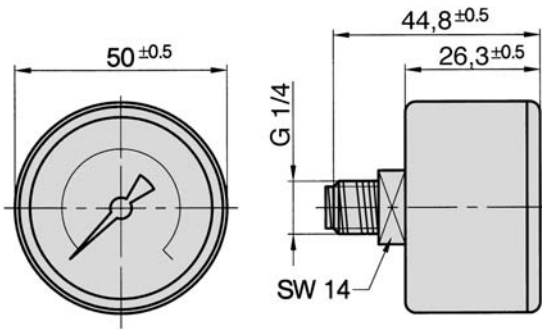
Series Y

Accessories for air service units
G1/4 to G1



Pressure gauge MXA-50

Pressure gauge MXA-63



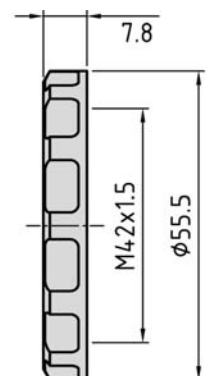
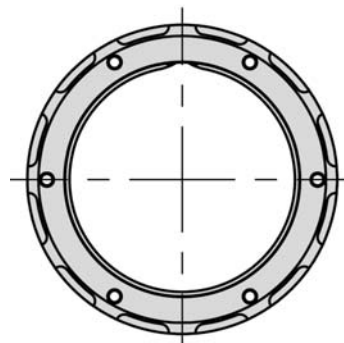
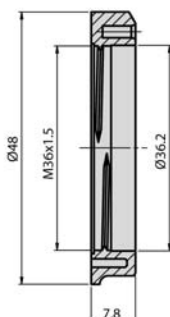
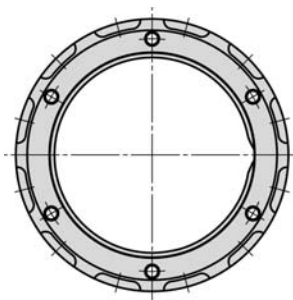
Sealing for assembly of gauge is included.

Order number	MXA-50-10-14	MXA-63-10-14	MXA-50-16-14	MXA-63-16-14
Ranges	0 ... 10 bar (0 ... 145 psi)		0 ... 16 bar (0 ... 232 psi)	
Application	Constant load 3/4 x scale value Alternating load 2/3 x scale value			
Materials	Body : Plastic, highly shock resistant, black (ABS) Window : Plexiglass, convex, clipped-on Dial : Plastic, white with stop pin, scale black/red Pointer : Plastic, black Movement : CuZn alloy Measuring element: Cu alloy			
Temperature range	- 20 °C ... + 60 °C (- 4 °F ... + 140 °F)			
Accuracy class	2.5 according to EN 837-1			
Temperature drift	0.4 % / 10 K if deviation from normal temperature 20 °C (68 °F).			
Weight	0.071 kg (0.156 lb.)	0.08 kg (0.18 lb.)	0.071 kg (0.156 lb.)	0.08 kg (0.18 lb.)

Mounting nut RMY-01

Mounting nut RMY-02

material: plastic



Series Y

Accessories for air service units

G1/4 to G1



Series Y1



metal bowl with condensate drain
BE-Y1-HA, semi-automatic
BE-Y1-AM-NC, automatic normally closed
BE-Y1-AM-NO, automatic normally open



metal bowl without drain,
for activated carbon filter
BE-Y1-KF



metal bowl without drain,
for lubricator
BE-Y1-L

Series Y2



metal bowl with condensate drain
BE-Y2-HA, semi-automatic
BE-Y2-AM-NC, automatic normally closed
BE-Y2-AM-NO, automatic normally open



metal bowl without drain,
for activated carbon filter
BE-Y2-KF



metal bowl without drain,
for lubricator
BE-Y2-L

Series Y3



metal bowl with condensate drain
BE-Y3-HA, semi-automatic
BE-Y3-AM-NC, automatic normally closed
BE-Y3-AM-NO, automatic normally open



metal bowl without drain,
for activated carbon filter
BE-Y3-KF

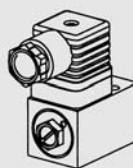


metal bowl without drain,
for lubricator
BE-Y3-L

Series Y1, Y2, Y3



auto drain
AM-Y-NC normally closed
AM-Y-NO normally open



transformer
PE-Y-10



lock
VH-Y-32 with key
VH-Y-31 without key