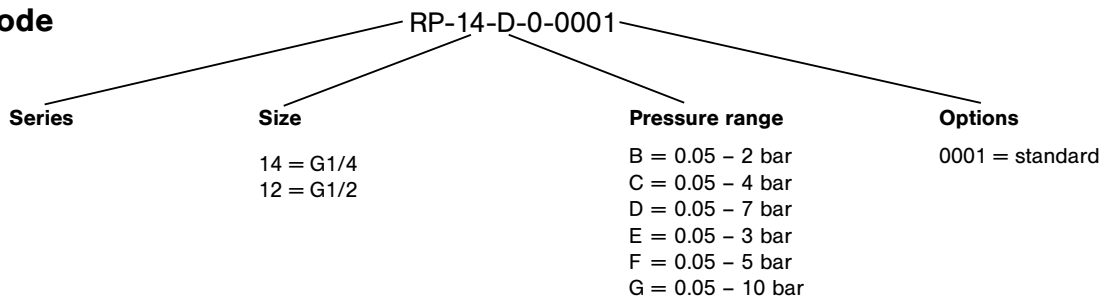


**Order code**



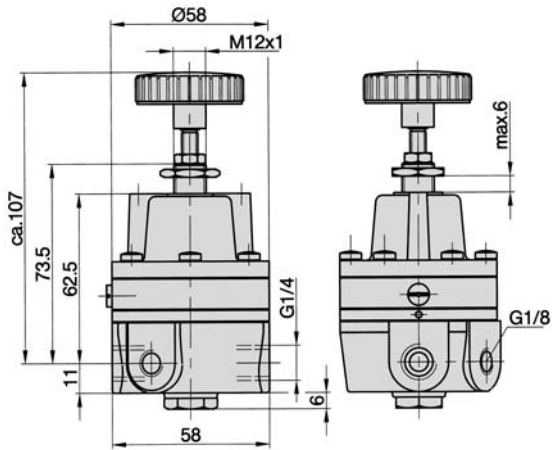
Series 14 is only available for pressure ranges B, C and D.  
Series 12 is only available for pressure ranges D, E, F and G.

**Design and function**

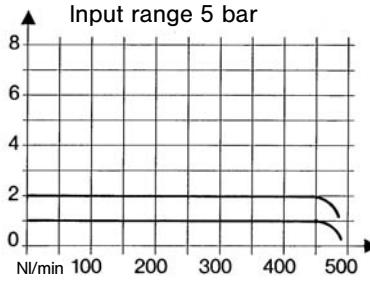
Regulator with diaphragm and relieving feature. This regulator should be used with finely filtered air only. Especially for the use in control and processing applications.

Order number <small>Please complete gemäß Bestellschlüssel.</small>	RP-14-...	RP-12-...
<b>Connection size</b>	G1/4	G1/2
<b>Gauge connection size</b>	G1/8	G1/4
<b>Medium</b>	compressed air sintered 0.01 µm, oilfree	
<b>Mounting</b>	arbitrary	
<b>Input range</b>	2 ... 16 bar (29 ... 232 psi)	
<b>Own air consumption</b>	< 2.2 NI/min at 5 bar input pressure	< 1.5 NI/min at 5 bar input pressure
	< 3 NI/min at 7 bar input pressure	< 2 NI/min at 7 bar input pressure
	< 4.1 NI/min at 10 bar input pressure	< 4 NI/min at 10 bar input pressure
		< 6 NI/min at 12 bar input pressure
<b>Temperature range</b>	0 °C ... + 60 °C (+ 32 °F ... + 140 °F)	
<b>Weight</b>	0.600 kg (1.323 lbs.)	1.500 kg (3.307 lbs.)

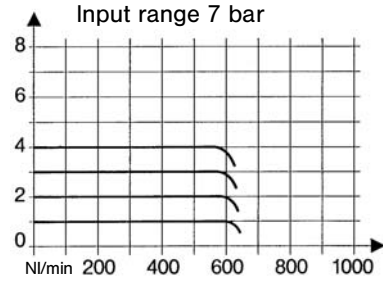
**RP-14**



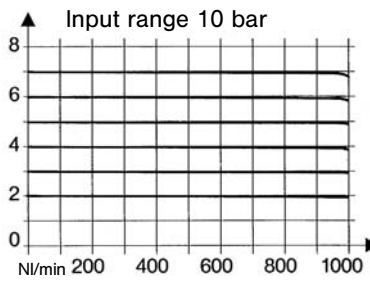
**flow characteristics 0,05 – 2 bar (B)**



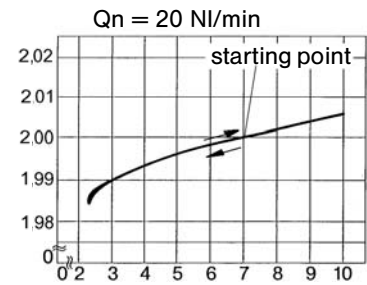
**flow characteristics 0,05 – 4 bar (C)**



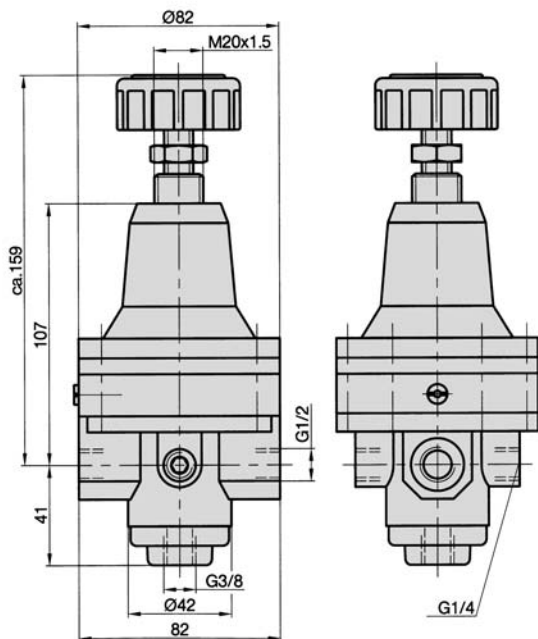
**flow characteristics 0,05 – 7 bar (D)**



**pressure characteristic**



**RP-12**



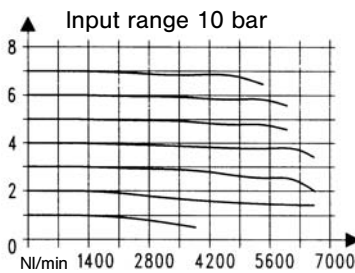
**flow characteristics 0,05 – 3 bar (E)**



**flow characteristics 0,05 – 5 bar (F)**



**flow characteristics 0,05 – 7 bar (D)**



**pressure characteristic**

