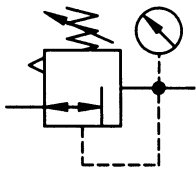
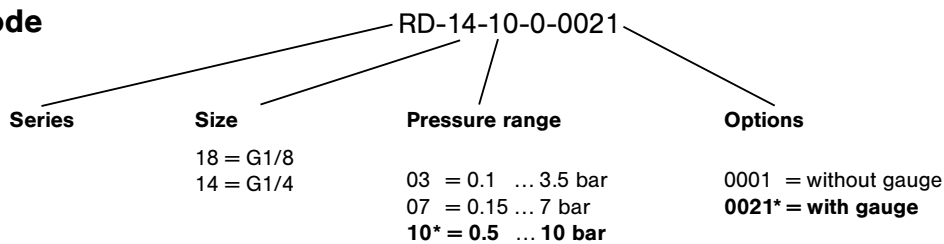


# Model RD

Pressure regulator for inline mounting  
G1/8, G1/4



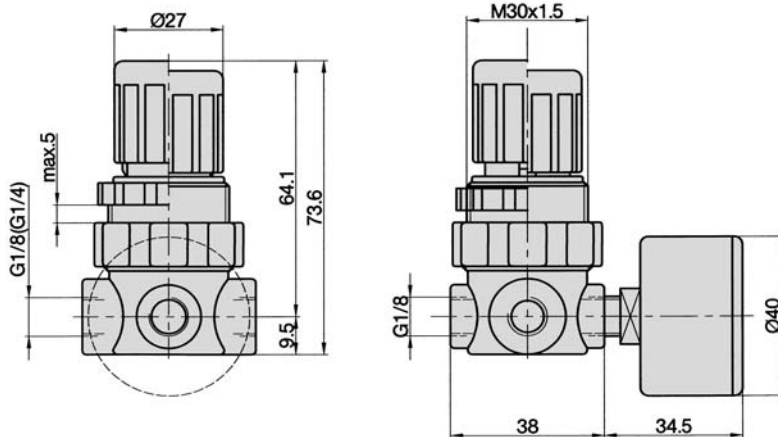
## Order code



\* = standard type

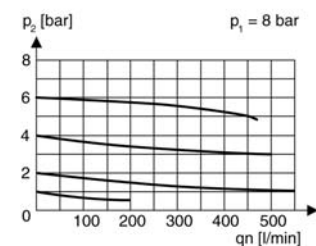
## Design and function

Regulator with diaphragm and relieving feature. Mounting nut must be ordered separately (see page 12.021).

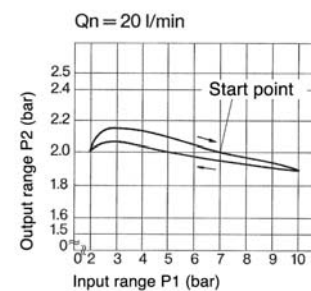


The main body of the regulator has two G1/8 ports for gauge mounting. Either port may be used allowing the user to choose the direction of flow.  
(Note: The second port must be plugged.)

## Flow characteristic



## Characteristic hysteresis



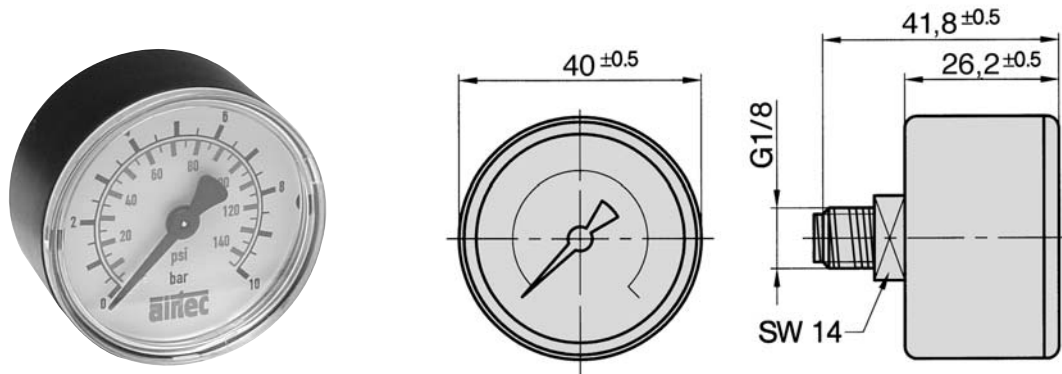
Order number Please complete according to order code.	RD-18-03-...	RD-18-07-...	RD-18-10-...	RD-14-03-...	RD-14-07-...	RD-14-10-...
<b>Connection size</b>	G1/8			G1/4		
<b>Mounting</b>	arbitrary					
<b>Input range</b>	max. 28 bar (max. 406 psi)					
<b>Output range</b>	0.1 ... 3.5 bar (1.5 ... 51 psi)	0.15 ... 7 bar (2.2 ... 101 psi)	0.5 ... 10 bar (7.25 ... 145 psi)	0.1 ... 3.5 bar (1.5 ... 51 psi)	0.15 ... 7 bar (2.2 ... 101 psi)	0.5 ... 10 bar (7.25 ... 145 psi)
<b>Flow rate</b>	350 NI/min. (0.356 Cv)					
<b>Temperature range</b>	0 °C ... + 60 °C (+ 32 °F ... + 140 °F)					
<b>Weight without pressure gauge</b>	0.140 kg (0.308 lb.)					

# Series K

Accessories for air service units  
G1/8, G1/4



## Pressure gauge MXA-40



The sealing ring for gauge mounting on series K is supplied with the gauge.

Order number	MXA-40-06-18	MXA-40-10-18	MXA-40-16-18
Ranges	0 ... 6 bar (0 ... 87 psi)	0 ... 10 bar (0 ... 145 psi)	0 ... 16 bar (0 ... 232 psi)
Application	Constant load 3/4 x scale value Alternating load 2/3 x scale value		
Materials	Body : Plastic, highly shock resistant, black (ABS) Window : Plexiglass, convex, clipped-on Dial : Plastic, white with stop pin, scale black or blue Pointer : Plastic, black Movement : CuZn alloy Measuring element: Cu alloy		
Temperature range	- 20 °C ... + 60 °C (- 40 °F ... + 140 °F)		
Accuracy class	2.5 according to EN 837-1		
Temperature drift	0.4 % / 10 K if deviation from normal temperature 20 °C (68 °F).		
Weight	0.065 kg (0.143 lb.)		

## Mounting nut RM-30



Order number	RM-30-K	RM-30-M	RM-30-Mv
Materials	plastic	brass	brass (nickel-plated)
Thread	M 30 x 1.5		

## Coupling Kit KPK-00

