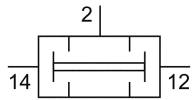


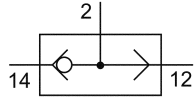
# Series AND valves and OR valves

M5 (10/32 UNF) and G1/8

160 and 280 NI/min (0.163 - 0.285 Cv)



AND valve



OR valve



## Design and function AN

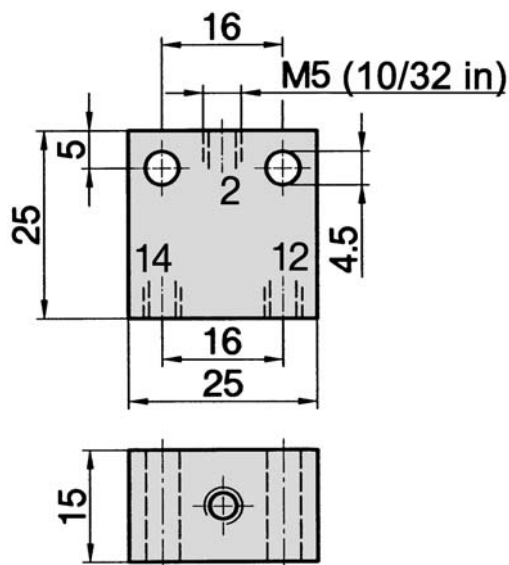
Output signal at port 2 is present if both inlets 12 and 14 are pressurized.

If both pressures are different (min. 0.2 bar 2.9 psi), the lower pressure is switched to 2.

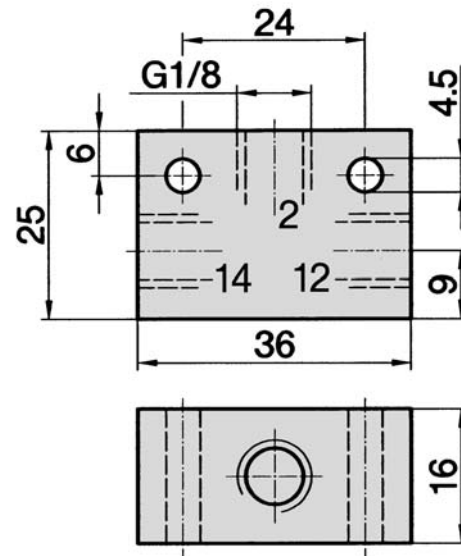
## Design and function OR

Output signal is present if one inlet is pressurized. The higher input signal (min. difference 0.2 bar 2.9 psi) is dominant.

### AN-25, OR-25



### AN-18, OR-18



12 (X) + 14 (Y) = signal input  
2 (A) = signal output

Order number	AN-25	OR-25	AN-18	OR-18
Connection	M5 (10/32 UNF)		G1/8	
Nominal size	3.2 mm		4 mm	
Nominal flow	160 NI/min (0.163 Cv)		280 NI/min (0.285 Cv)	
Working pressure range	- 0.95 ... 10 bar (- 14 ... 145 psi) (min. difference 0.2 bar 2.9 psi)			
Temperature range	- 10 °C ... + 70 °C (+ 14 °F ... + 158 °F)			
Materials	Body: Al (anodized), Seals: NBR, Inner parts: brass			
Medium	Compressed air in accordance with ISO 8573-1:2010, Class 7:2:4 – and free of aggressive additives.			
Weight	0.026 kg (0.057 lb.)		0.038 kg (0.084 lb.)	