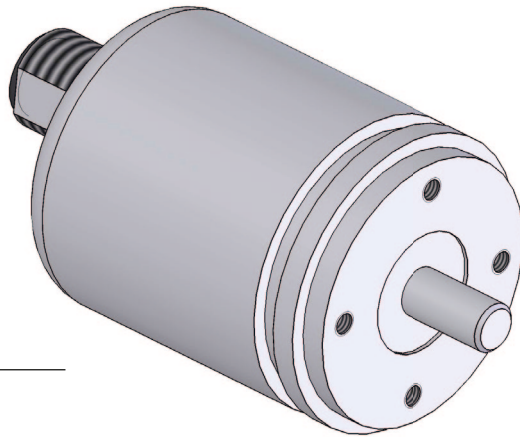


# Absolute encoder WV36M/SSI



**Features:**

- small design
- interface SSI
- protection IP65
- multiturn without battery
- singleturn

**SIKO GmbH**

**Address**  
 Weihermattenweg 2  
 79256 Buchenbach

**Telephone**  
 +49 7661 394-0

**Fax**  
 +49 7661 394-388

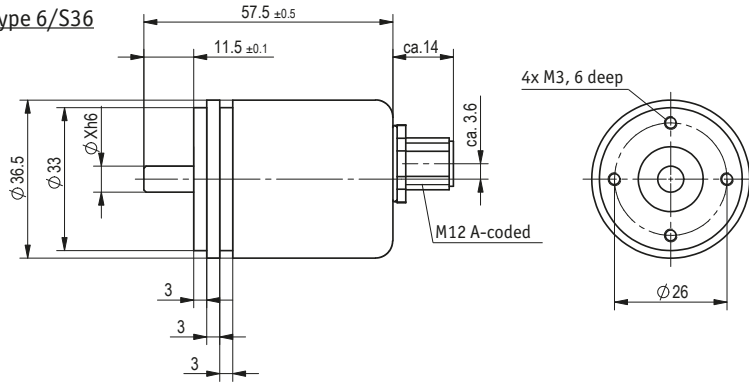
**eMail**  
 info@siko.de  
**Internet**  
 www.siko-global.com

Feature	Order text	Additional information
Output code	B	binary
	G	gray
Steps per revolution	4096	12 Bit
Number of revolution	4096	12 Bit
	8192	13 Bit
	1	Singleturn
Mounting type	6/S36	shaft-ø/flange-ø
	6/S58	shaft-ø/flange-ø
Connection type	M12	8 pole (A-coded)

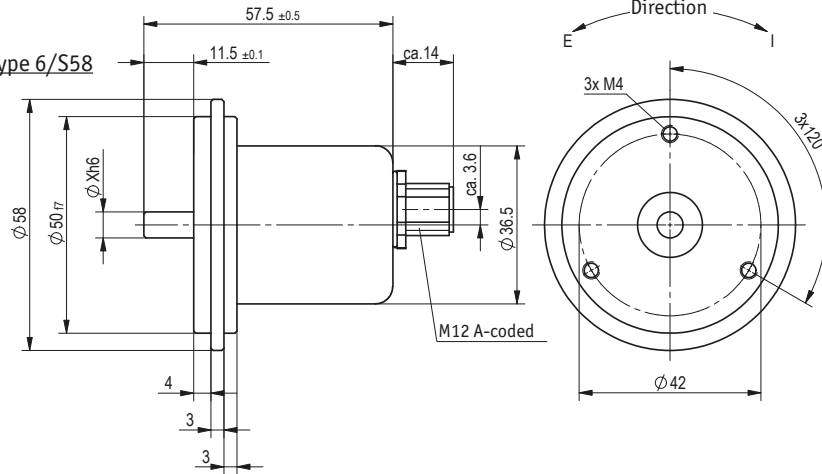
Your ordering: WV36M/SSI - A - B - C - D - E

# Absolute encoder WV36M/SSI

Mounting type 6/S36

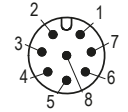


Mounting type 6/S58



viewing side = plug-in side

plug pin



Pin assignment

Pin	Signal
1	GND
2	+UB
3	SSI Cycle+
4	SSI Cycle -
5	SSI Data +
6	SSI Data -
7	Calibration input
8	Direction

**Technical data**

**Mechanical data:**

Shaft	stainless steel
Flange	aluminum
Housing	nickel-plated steel
Speed	≤12000 min <sup>-1</sup>
Moment of inertia	≤30 gcm <sup>2</sup>
Starting torque	≤3 Ncm
Shaft load rating	axial ≤20 N radial ≤80 N
Weight	~0.15 kg

**Additional information**

**Electrical data:**

Operating voltage	5 ... 30 V DC	reverse polarity protection, for power supply according to EN 50178
Power input	~0.25 W	
SSI clock speed input	100 kHz ... 2 MHz	(≤1200 m; 100 kHz)
Interface	line driver to RS422	
Cycle time	<600 μs	singleturn

**System data:**

Resolution	4096
------------	------

**Ambient conditions:**

Ambient temperature	-40 ... 85 °C	
Storage temperature	-30 ... 85 °C	
Relative humidity	98 %	
EMC	EN 61000-6-2 EN 61000-6-4	condensation inadmissible interference resistance / immission emitted interference / emission
Protection category	IP65 (housing side) IP54 (shaft side) IP65	EN 60529, 6/S36 type of mounting EN 60529, 6/S36 type of mounting EN 60529, 6/S58 type of mounting
Shock resistance	≤1000 m/s <sup>2</sup> , 6 ms	EN 60068-2-27
Vibration resistance	≤100 m/s <sup>2</sup> , 10 Hz ... 1 kHz	EN 60068-2-6

**Accessory**

83525	Mating connector M12	8 pins circular cable connector A-coded
SK	Servo clamp	
AK18	Flexible coupling	