

Version:

- Diaphragm or
- Rotary actuator

Travel:

- 100 mm / 130 mm

Opening angle:

- 75°

Spring position:

- Centrally arranged spring

Diaphragm area:

- 1636 to 3447 cm²

Spring torques:

- 470 to 1976 Nm

Supply air range:

- 3 to 4 bar

Ambient temperature range:

- -40 to 80 °C / -40 to 176 °F

Mounting of accessories:

- VDI/VDE 3845

Principle of operation:

The Type MZ Actuator is equipped with a diaphragm and a centrally arranged return spring on the inside. The freely supported piston rod is directly connected to the lever for the valve shaft. The short travel ensures very short actuating times. In addition, the actuator is designed for very fine and precise control.

The actuator can be equipped with additional manual gears as well as end stops.

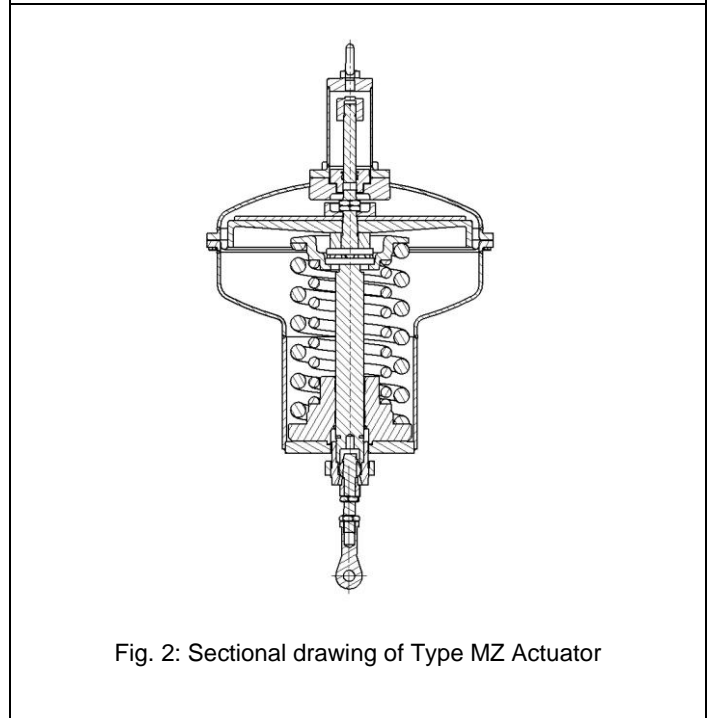
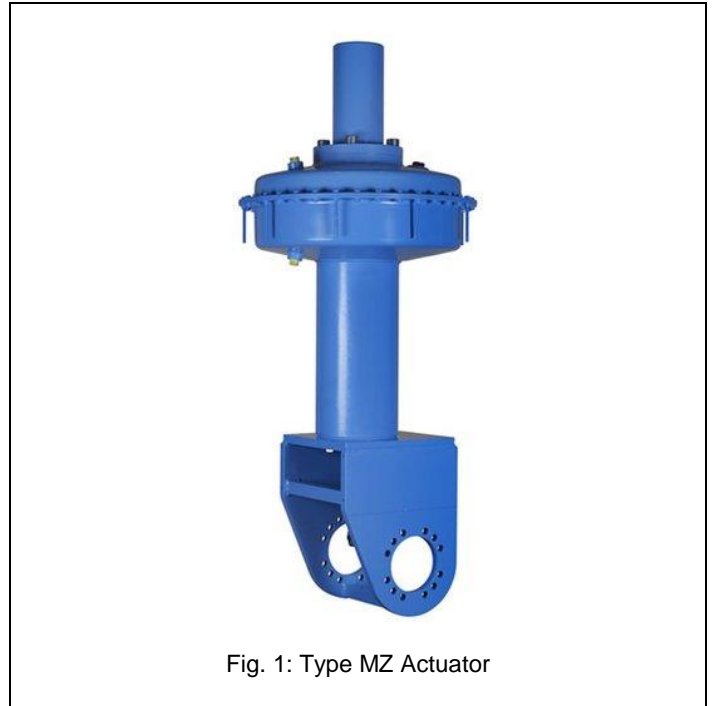


Table 1: Technical data


Type		MZ450		MZ700	
Version		Diaphragm			
Spring position		Centrally arranged spring			
Opening angles	(°)	75			
Travel	(mm)	100		130	
Diaphragm area	(cm ²)	1636		3447	
Spring range	(bar)	0.45 to 1.30	0.88 to 2.10	0.40 to 1.28	0.69 to 2.05
Spring torque	(Nm)	470	919	1145	1976
Temperature range	(°C/°F)	-40 to 80 °C / -40°F to 176 °F			
Supply air range	(bar)	3 to 4			
Weight (w/o yoke)	(kg)	131	145	401	430
Manual gear		 Manual gear			

Fig. 3: Attachment types
