

Sizes: MD450, MD700

**Version:**

- Diaphragm or
- Rotary actuator

**Travel:**

- 100 / 130 mm

**Opening angle:**

- 75° to 90°

**Spring position:**

- Multi-spring, symmetric

**Diaphragm area:**

- 1636 to 3447 cm<sup>2</sup>

**Spring torques:**

- 679 to 8247 Nm

**Supply air range:**

- 3 to 6 bar

**Ambient temperature range:**

- -40 to 80 °C / -40°F to 176 °F

**Mounting of accessories:**

- VDI/VDE 3845

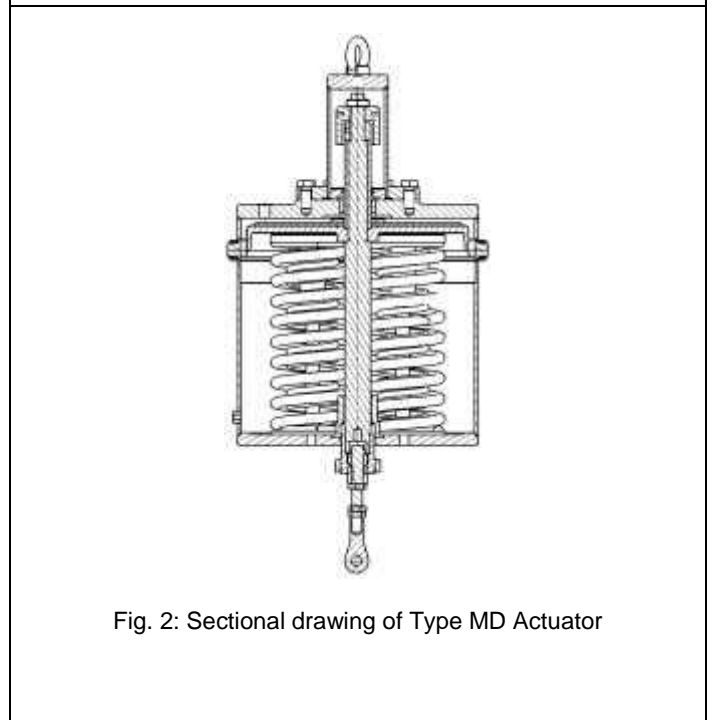
**Principle of operation:**

The Type MD Actuator is equipped with a diaphragm and several symmetrically arranged return springs.


The combination of several spring assemblies and the design of the piston rod bearing allow high torques to be transmitted.

The short travel ensures very short actuating times.


The actuator can be equipped with additional manual gears as well as end stops. A multi-stage version is possible.



**Table 1: Technical data of MD450**

<b>Type</b>	<b>MD450</b>			
<b>Version</b>	Diaphragm			
<b>Spring position</b>	Multi-spring, symmetric			
<b>Opening angles</b> (°)	75 (90)			
<b>Travel</b> (mm)	100			
<b>Diaphragm area</b> (cm <sup>2</sup> )	1636			
<b>Spring range</b> (bar)	0.65 - 1.10	1.15 - 2.01	1.56 - 2.72	1.71 - 3.13
<b>Spring torque</b> (Nm)	679	1202	1630	1787
<b>Supply air range</b> (bar)	3 to 6			
<b>Temperature range</b> (°C/°F)	-40 to 80 °C / -40°F to 176 °F			
<b>Weight (with yoke)</b> (kg)	310	350	360	380
<b>Manual gear</b>	 Manual gear			

**Table 2: Technical data of MD700**

<b>Type</b>	<b>MD700</b>			
<b>Version</b>	Diaphragm			
<b>Spring position</b>	Multi-spring, symmetric			
<b>Opening angles</b> (°)	75 to 90			
<b>Travel</b> (mm)	130			
<b>Diaphragm area</b> (cm <sup>2</sup> )	3447			
<b>Spring range</b> (bar)	1.51 to 2.80	1.74 to 3.10	2.10 to 3.75	2.51 to 4.07
<b>Spring torque</b> (Nm)	4324	4983	6014	7188
<b>Supply air range</b> (bar)	3 to 6			
<b>Temperature range</b> (°C/°F)	-40 to 80 °C / -40°F to 176 °F			
<b>Weight (with yoke)</b> (kg)	660	680	700	720
<b>Manual gear</b>	 Manual gear			

**Fig. 3: Attachment types**

