



Aalborg OS-TCi

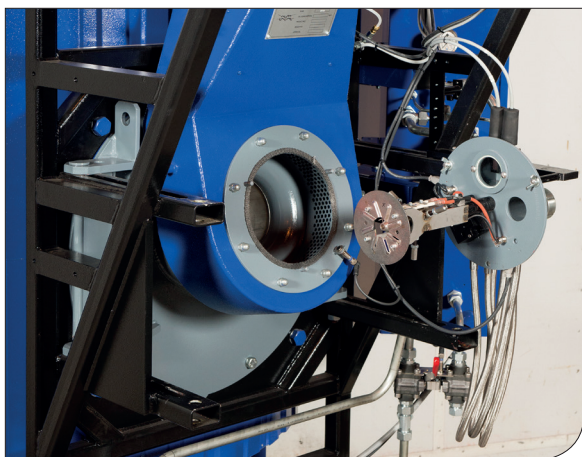
Turbo Clean intelligent oil-fired boiler

The oil-fired Aalborg OS-TCi is supplied as a pre-assembled boiler unit with a user-friendly, integrated pressure atomizing burner controlled and monitored with Aalborg Laval Touch Control system.

The reliable, high efficiency boiler is designed to be self-cleaning to the highest possible degree. Maintenance is easy and environmentally friendly. The Aalborg OS-TCi comes with the Aalborg KBM burner.

Aalborg KBM burner from Alfa Laval

The Aalborg KBM burner is a pressure-atomizing burner designed for the continuous modulating operation of Aalborg OS-TCi and OC-TCi boilers. This burner helps maintain uniform combustion, which in turn contributes to improved heat transfer efficiency and reduced fouling of convection surfaces.

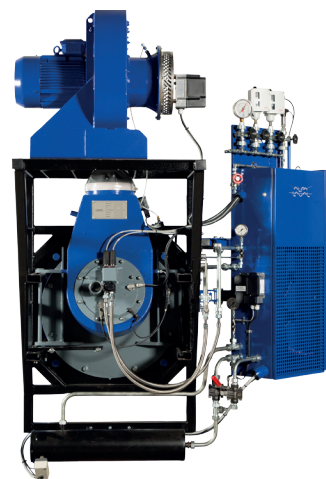


Ease of maintenance

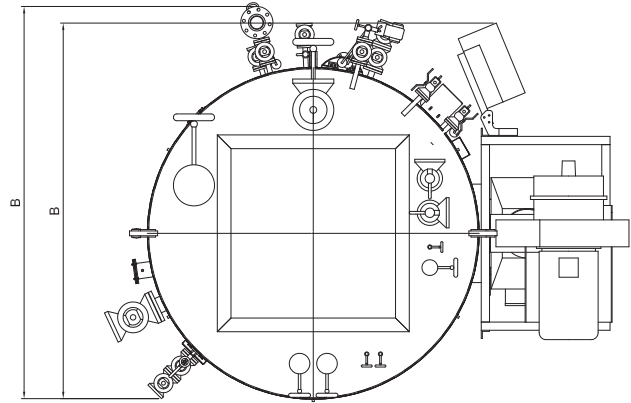
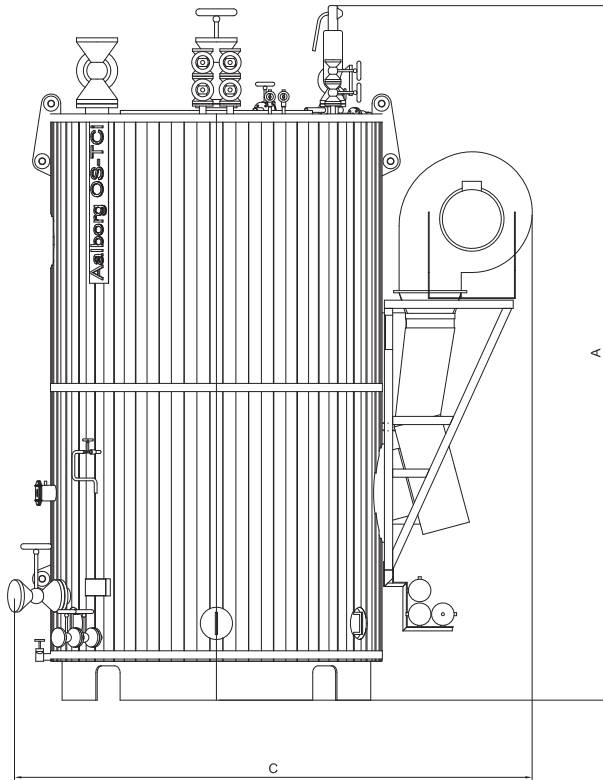
All combustion components that require service are assembled in a single easy-to-access retractable unit. Servomotors for oil and air regulation are also easily accessible. No removal of cables or pipes is required.

Ease of access

Access to the boiler furnace chamber for maintenance and inspection is simplified, thanks to the smart burner front plate design that enables hinged opening of the plate without demounting the wind box.



Aalborg KBM burner



Aalborg OS-TCi boiler - Capacity and dimensions

Steam capacity	Design pressure	Dimensions		
		A	B	C
kg/h	bar(g)	mm	mm	mm
1,200	10	3,875	2,272	2,459
1,600	10	4,025	2,316	2,555
2,000	10	4,115	2,359	2,650
2,500	10	4,320	2,276	2,923
3,500	10	4,480	2,358	3,066
4,500	10	4,675	2,483	3,227
5,500	10	4,855	2,567	3,397
6,500	10	5,005	2,734	3,624
8,000	10	5,065	2,860	3,775

Max. operating pressure: 8 bar (g)

MDD00237EN 1507

How to contact Alfa Laval

Contact details for all countries are continually updated on our website. Please visit www.alfalaval.com to access the information.