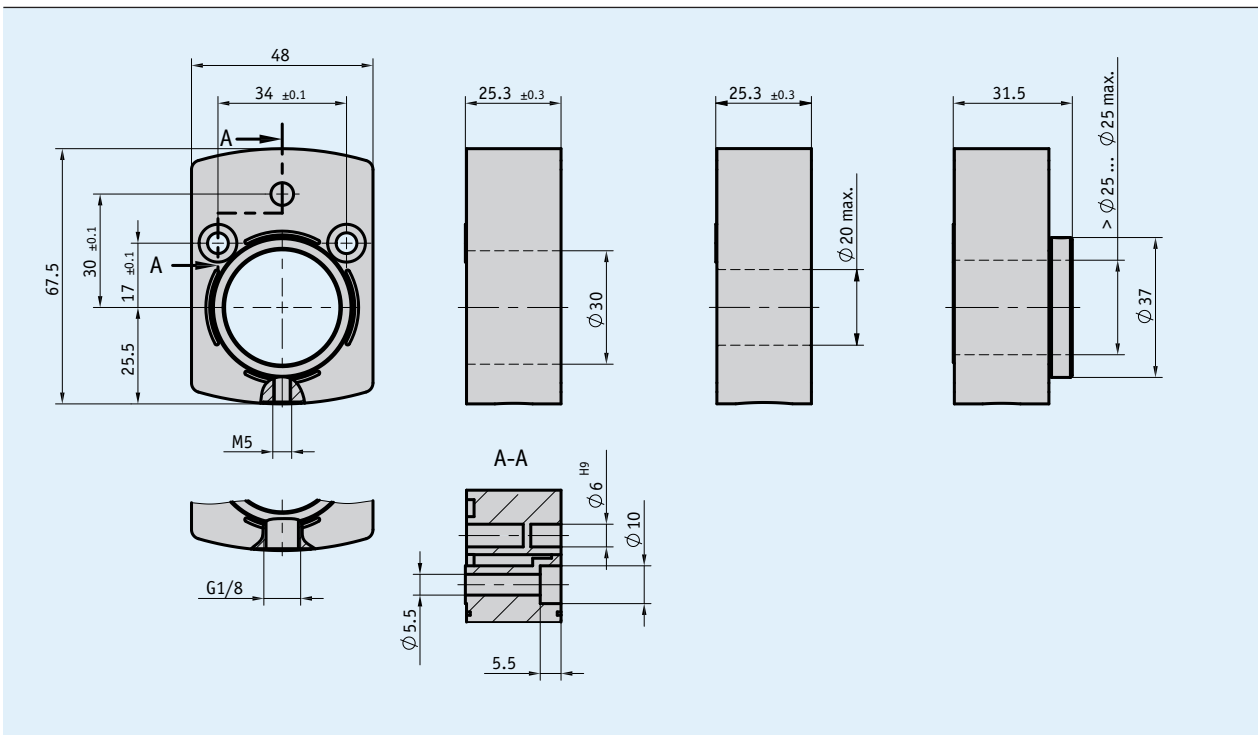


Profile

- Pneumatic clamping plate for shaft clamping
- Selectable sizes of the compressed-air connection
- Easy mounting and retrofitting



Mechanical data

Feature	Technical data	Additional information
Housing	zinc die-cast	
Weight	~0.25 kg	

Order

Ordering table

Feature	Ordering data	specification	Additional information
Bore/diameter	30	A	
	RH14		
	RH20		
	RH25		
	others on request		
Compressed air connection	R1/8	B	
	M5		

Order key

KP09P - -
A B

Scope of delivery: KP09P