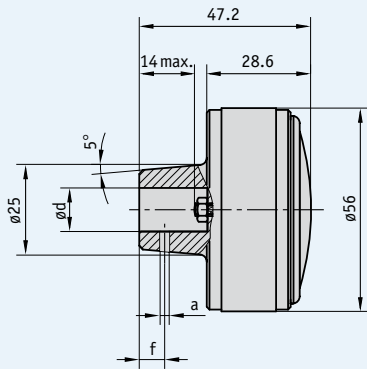
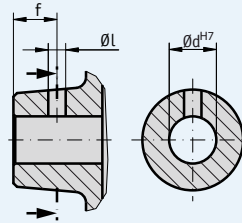


Profile

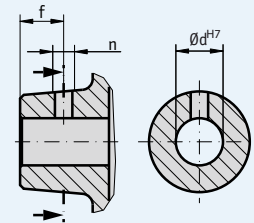
- Compact turning handle made of aluminum casting
- Integrated position indicator
- Analog display with various gear ratios and special scales
- Surface anodized or bright-finished
- Various hub versions



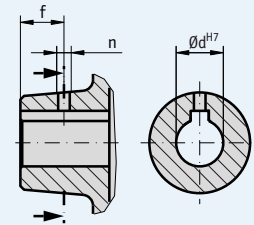
pinhole



hub thread



hub thread with keyway



Mechanical data

■ Dimensions

type	ØD	Ødx	Weight	material
HR 5	8	12	0.1 kg	aluminum

dx = d max.

Order

Order table

Feature	Order data	Technical data	Additional information
Bore Ød	d	value Ød - Ødx	see "Dimensions"
	...	A 8 ... 12 d max. in mm steps (H7)	
Surface	B	unvarnished	
	ES	black anodized	
	EF	natural anodized	
Gear ratio	...	C 1, 2, 3, 6, 10, 12, 15, 18, 20, 24, 30, 36, 48, 50, 60, 72, 84, 96, 100	
Sense of rotation	i	clockwise	
	e	counter-clockwise	
Pointer	1	pointer with gear ratio	
	2	1 pointer with gear ratio and 1 pointer running 1:1	
Pinhole	0S	without pinhole	only if hub thread "ONG"
	2.5/7	diameter "Ø"/measure "f"	
		others on request	
Hub thread	ONG	without hub thread	only if pinhole "0S"
	M6/8	thread "n"/measure "f"	
		others on request	
Scale	N	normal scale	related to gear pitch
	VK	special scale	custom-designed, no VK with first article
Scale imprint	C1	one-color	
	C2	two-color	
	C3	three-color	

Order code

HR5 - - - - - - - - - -

A B C D E F G H I

1.4

Scope of delivery: HR5

➔ Additional information:

General information and areas of application

Page 62 cont.