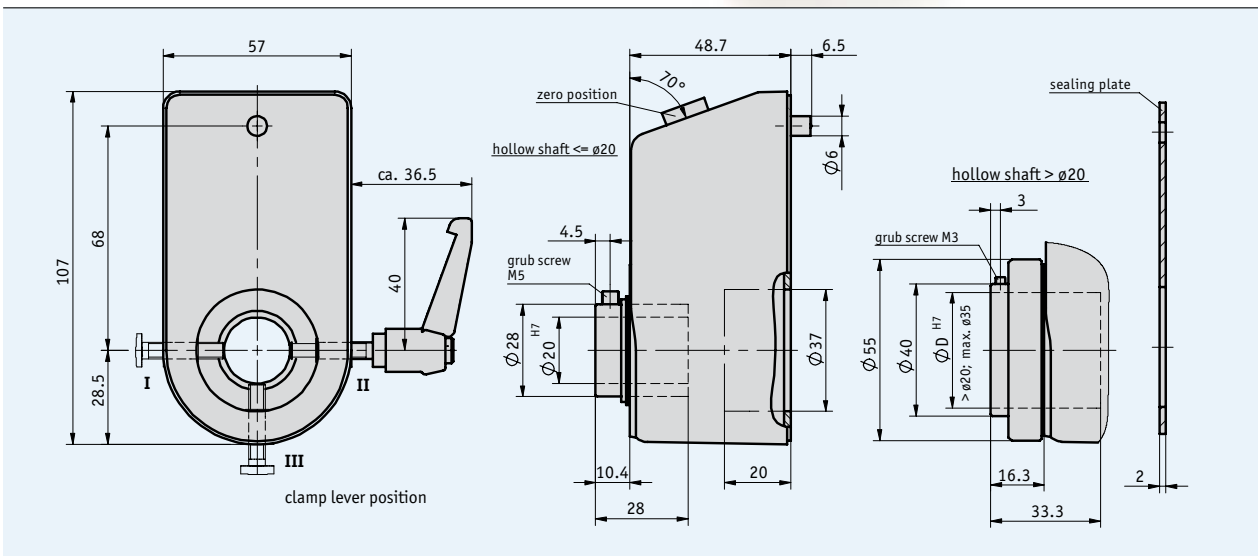


**Profile**

- Extremely sturdy design in a metal housing
- Hollow shaft, max. Ø 35 mm
- Counter with 4 or 5 decades
- Zeroing function
- Clamp lever integrated in the design
- Stainless-steel driving shaft as an option
- Reversible counting direction



**Mechanical data**

Feature	Technical data	Additional information
Counter	4 decades, fine reading	
Digit height	approx. 4.5 mm	
Housing	zinc die-cast	
Weight	0.7 kg	
Counting direction	adjustable	
Zero setting	selectable	
Ambient temperature	max. +80 °C	

■ **Max. speed**

Indication after 1st revolution	Max. speed (rpm)	
	with zero setting	without zero setting
(0)0010	500	1200
(0)0020	250	600
(0)0025	200	480
(0)0030	165	400
(0)0040	125	300
(0)0050	100	240
(0)0060	85	200
(0)0080	60	150
(0)0100	50	120

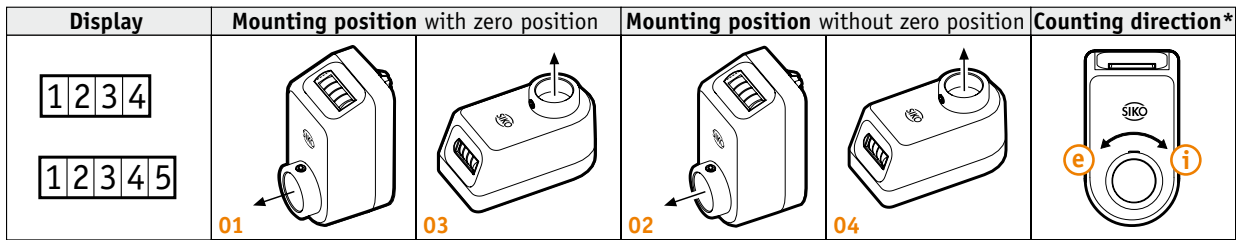
**Formula for:**

$$\text{max. speed with (without) zero setting} = \frac{5000 (12000)}{\text{Indication after 1st revolution}}$$

*Speeds >500 rpm must only be run for short periods.*

**Order**

■ **Design**



Note: Characters highlighted in orange are order features

■ **Order table**

Feature	Order data	Specification	Additional information
Design/mounting position	<b>01</b>	<b>A</b> with zero setting	see the icons illustrating the mounting positions
	<b>02</b>	without zero setting	
	<b>03</b>	with zero setting	
	<b>04</b>	without zero setting	
Counter/digits	<b>4</b>	<b>B</b> decades	
	<b>5</b>	decades	
Indication after 1 <sup>st</sup> revolution	...	<b>C</b> <b>10, 15, 16, 20, 25, 30, 40, 50, 60, 80, 100</b>	
		others on request	
Decimal place	<b>0</b>	<b>D</b> 0 = 00000	only with 5 decades
	<b>1</b>	1 = 0000.0	
	<b>2</b>	2 = 000.00	only with 5 decades
	<b>3</b>	3 = 00.000	only with 5 decades
	<b>4</b>	4 = 0.0000	only with 5 decades
Counting direction = ascending values	<b>i</b>	<b>E</b> clockwise	
	<b>e</b>	counter-clockwise	
	<b>e/i</b>	customer-adjustable	by opening the housing, see technical details
Hollow shaft/diameter (mm)	...	<b>F</b> <b>19, 20, 25, 35</b>	
	<b>VA20</b>	∅ 20 mm	stainless steel
	...	<b>RH8, RH10, RH12, RH14, RH16, RH18</b>	reducing bush
Housing color	<b>0</b>	<b>G</b> orange RAL 2004	
	<b>S</b>	black RAL 9005	
Clamp lever/position	<b>OKL</b>	<b>H</b> without clamp lever	
	<b>I</b>	position I	
	<b>II</b>	position II	
	<b>III</b>	position III	

■ **Order code**



Scope of delivery: DA08