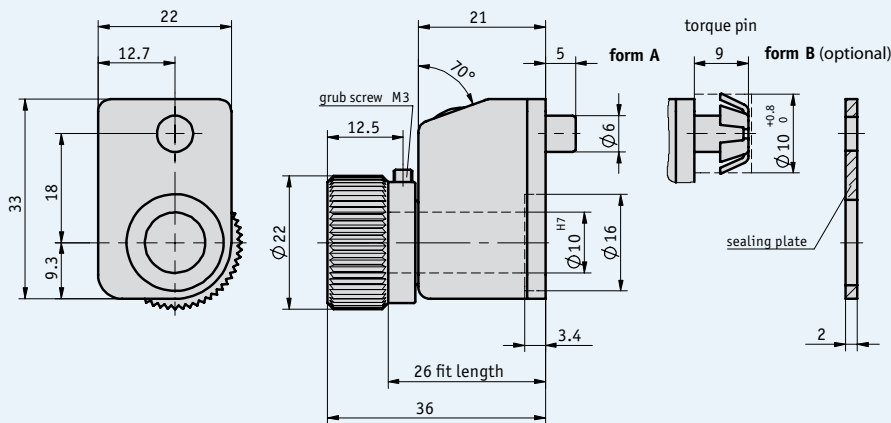


### Profile

- Miniature control knob
- Shaft accommodation: max.  $\varnothing$  10 mm
- Front display
- Counter with 3 decades
- Display can be designed for "mm" or "inch"
- Housing color: orange or black



### Mechanical data

Feature	Technical data	Additional information
Counter	3 decades	
Digit height	approx. 4 mm	
Ambient temperature	max. 80 °C	
Weight	approx. 0.02 kg	
Control knob shaft	$\varnothing$ 10H7, plain bearing, anodized aluminum	
Housing	plastic, reinforced	

## Order

### Design

Display	Mounting position				Counting direction
	02	04	06	07	

Note: Characters highlighted in orange are order features

### Order table

Feature	Order text	Additional information
Design	... <b>A</b> 02, 04, 06, 07	see the icons illustrating the mounting position
Display after 1 <sup>st</sup> revolution	... <b>B</b> 7/5, 10, 12/5, 15, 17/5, 20, 25, 30, 40, 50, 60, 80, 100 others on request	/5 = arithmetical value not displayed
Decimal place	<b>0</b> C 0 = 000 <b>1</b> C 1 = 00.0 <b>2</b> C 2 = 0.00	
Counting direction = ascending values	<b>i</b> D clockwise <b>e</b> D counter-clockwise	
Hollow shaft/diameter (mm)	<b>10</b> E ∅ 10 mm <b>RH8</b> E reducing bush ∅ 8 mm <b>RH6</b> E reducing bush ∅ 6 mm others on request	
Color	<b>0</b> F orange <b>S</b> F black	

### Order code

DK05 -  -  -  -  -  -  -

Scope of delivery: DK05

→ **Accessories:**  
Reducing bushes

Page 110

**Additional information:**  
General information and areas of application

Page 48 cont.