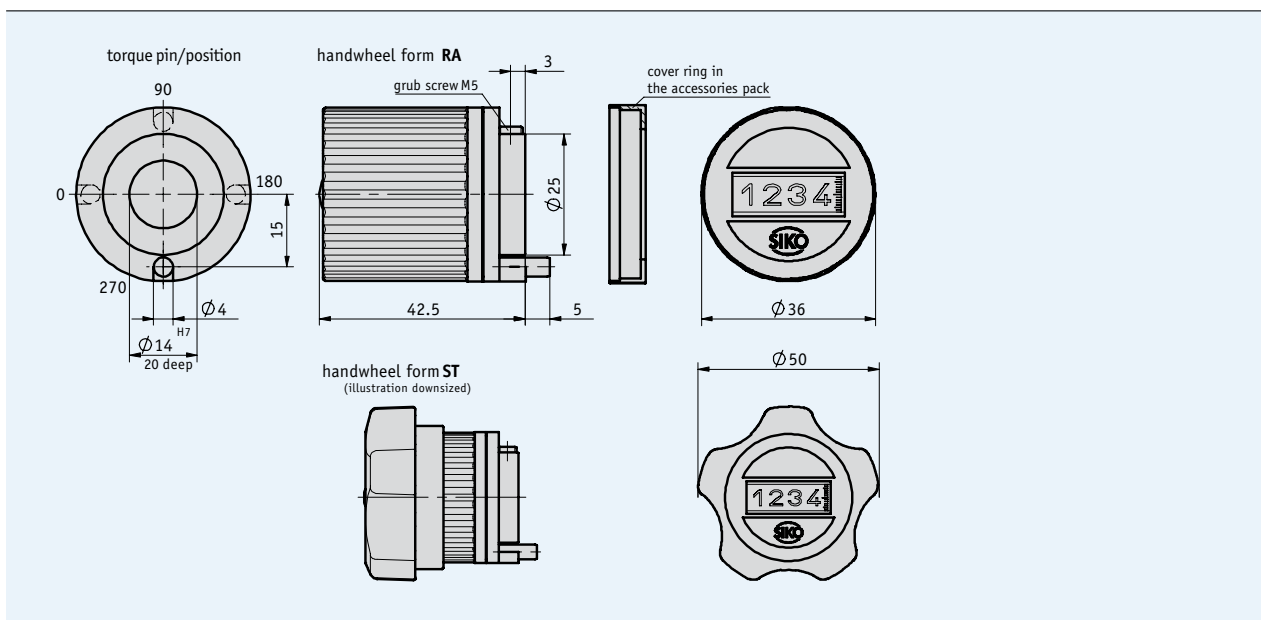


Profile

- Control knob with integrated position indicator
- Shaft accommodation max. \varnothing 14 mm
- Counter with 4 decades and fine reading
- Various display values
- Star wheel as an option



Mechanical data

Feature	Technical data	Additional information
Counter	4 decades, fine reading	
Digit height	approx. 6 mm	
Ambient temperature	max. 80 °C	
Weight	0.06 kg	
Housing	plastic	
Window	plastic	optional mineral glass

Order

Order table

Feature	Order text	Additional information
Indication after 1 st revolution	... A 12/5, 15, 17/5, 20, 25, 30, 40, 50, 100 others on request	/5 = arithmetical value not displayed
Decimal place	0 0 = 0000 1 1 = 000.0 2 2 = 00.00 3 3 = 0.000	
Counting direction = ascending values	i clockwise e counter-clockwise	
Hollow shaft/diameter (mm)	14 Ø 14 mm ... D RH8, RH10, RH12 others on request	Reducing bushes
Torque support/position	270 see the drawing 0 see the drawing 90 see the drawing 180 see the drawing	
Handwheel design	RA knurled handle ST star wheel	
Handwheel color	FR blazing red RAL 3000 S black RAL 9005	
Sealing ring	0 without sealing ring M sealing ring provided with the accessories pack	

Order code

DK01 - - - - - - - - - **K** -

A B C D E F G H

Scope of delivery: DK01

Accessories:
Reducing bushes

Page 108

Additional information:
General information and areas of application

Page 46 cont.