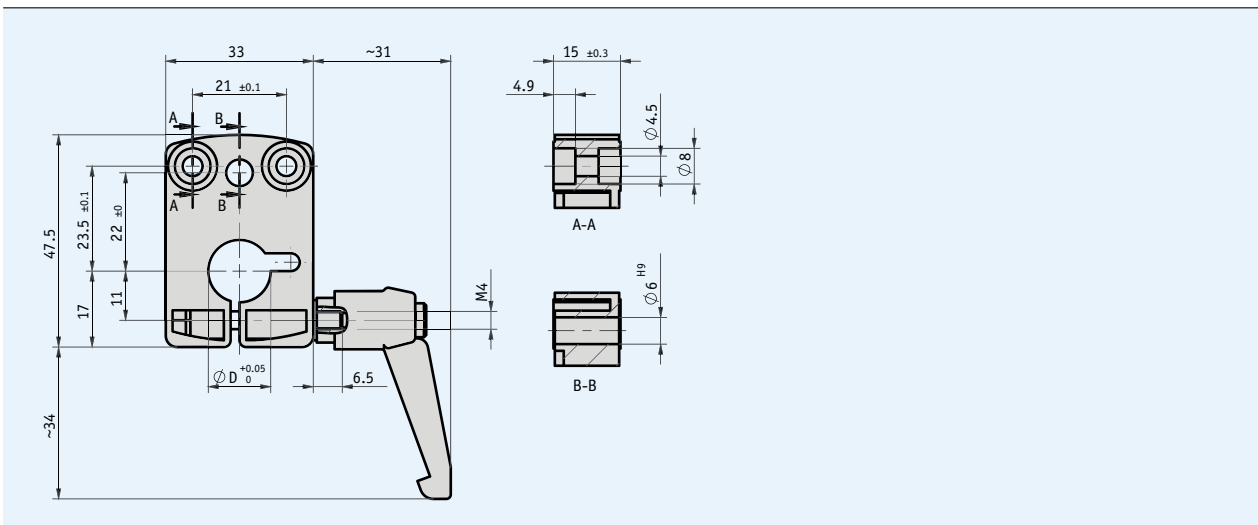


### Profil

- Outline appropriate for indicator DA04
- For shaft diameter 8 ... 14 mm
- Robust zinc die-casting version
- Easy mounting and retrofitting



### Mechanical data

Feature	Technical data	Additional information
Housing	zinc die-casting	
Clamp lever	plastic, engaging	
Weight	~0.09 kg	

### Order

#### Order table

Feature	Order text	Specification	Additional information
Bore ∅	8	A	
	10		
	12		
	14		
Clamp lever	KH	B	with
	OKH		without

#### Order Code

KPL04 -  -

Scope of delivery: KPL04