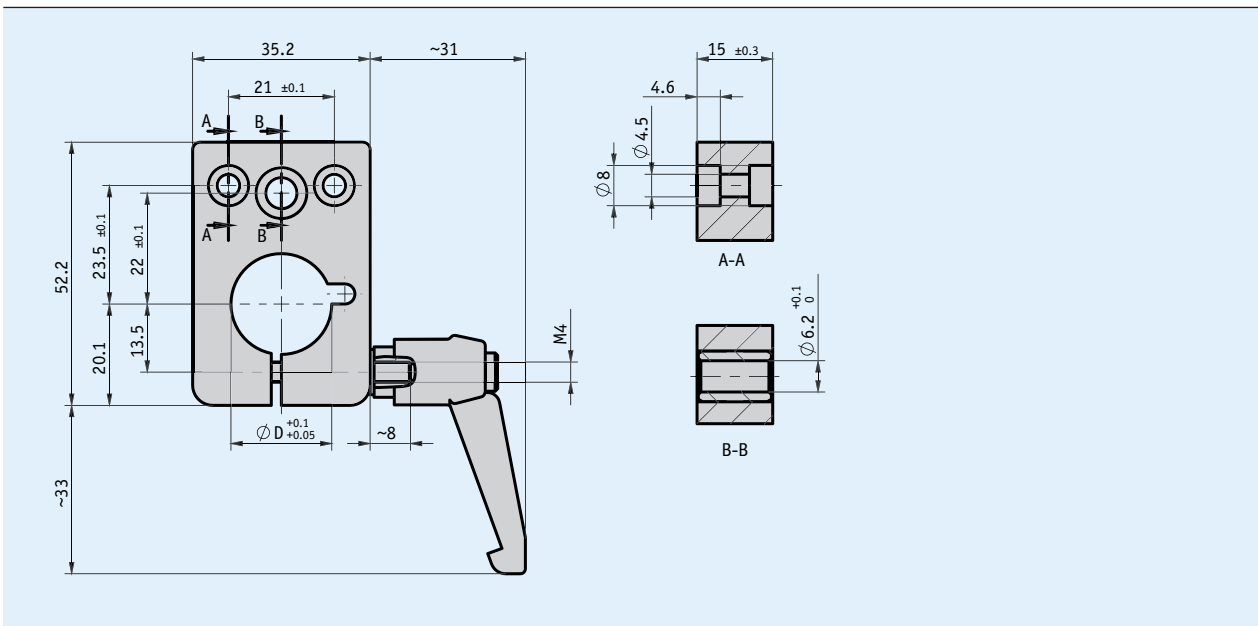


Profile

- Contour matching with DE04, AP04 position indicators
- for shaft diameters 10 ... 20 mm
- Lateral position of the clamping lever
- Easy mounting and retrofitting



Mechanical data

Feature	Technical data	Additional information
Housing	anodized aluminum	
Clamping lever	plastic, engaging	
Weight	~ 0.06 kg	

Order

Ordering table

Feature	Ordering data	specification	Additional information
Bore diameter	20	A	
	14		
	12		
	10		
			others on request
Torque pin/form	A	B	Zylinderstift
	B		für Toleranzausgleich
Clamp lever	KH	C	mit
	OKH		ohne

Order key

