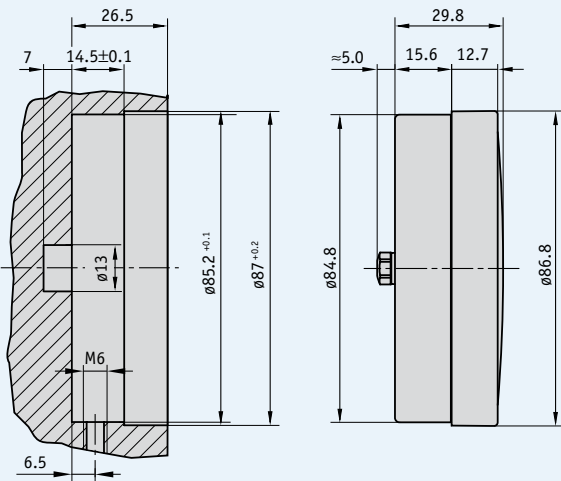


## Profile

- Combined analog-digital position indicator
- Data logging based on the gravity principle
- High stability thanks to doubly supported pointer shaft
- Very robust, glass-fiber reinforced plastic housing
- Counter with 5 decades
- Special scales, also for small numbers of pieces
- Dustproof or oil-filled versions



## Mechanical data

| Feature             | Technical data      | Additional information |
|---------------------|---------------------|------------------------|
| Housing             | plastic, reinforced |                        |
| Weight of version N | 0.2 kg              |                        |
| Weight of version P | 0.3 kg              |                        |

## Order

### Order table

| Feature                                     | Order data | Technical data                | Additional information                                 |
|---|------------|-------------------------------|--|
| Version                                     | N          | dustproof                     | standard   |
|   | P          | oil-filled                    |  |
| Indication after 1 <sup>st</sup> revolution | ...        | 2, 2/5, 3, 4, 5, 6, 8, 10, 15 | e.g. 00010   |
|   | B          | others on request             |  |
| Decimal places                              | 0          | 0 = 00000                     |  |
|   | 1          | 1 = 0000.0                    |  |
|   | 2          | 2 = 000.00                    |  |
|   | 3          | 3 = 00.000                    |  |
|   | 4          | 4 = 0.0000                    |  |
| Sense of rotation = ascending values        | i          | clockwise                     |  |
|   | e          | counter-clockwise             |  |
| Pointer                                     | 1          | pointer running 1:1           |  |
|   | 0Z         | without pointer               |  |
| Cover glass                                 | S          | plastic                       |  |
|   | A          | plastic, acetone-resistant    |  |
| Scale                                       | N          | normal scale                  | related to indication after 1 <sup>st</sup> revolution |
|   | VK         | special scale                 | custom-designed, no VK with first article              |
| Scale imprint                               | C1         | one-color                     |  |
|   | C2         | two-color                     |  |
|   | C3         | three-color                   |  |

### Order code

SZ80/1 -  -  -  -  -  -  -  -

A      B      C      D      E      F      G      H

**Scope of delivery:** SZ80/1

**Accessories:**  
Drawing aid for scales

Page 111

**Additional information:**  
General information and areas of application

Page 68 cont.