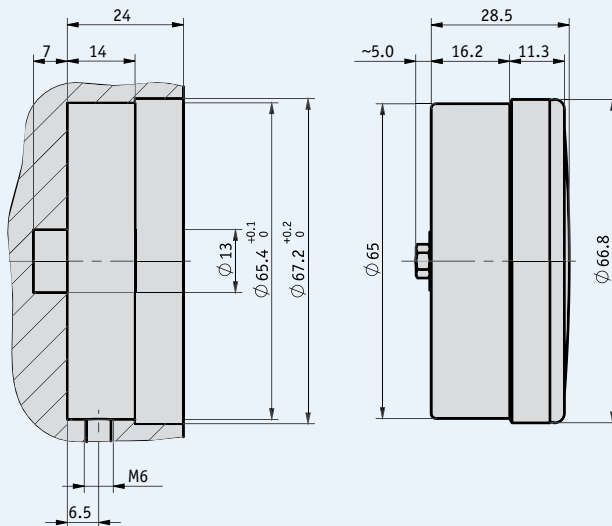


Profile

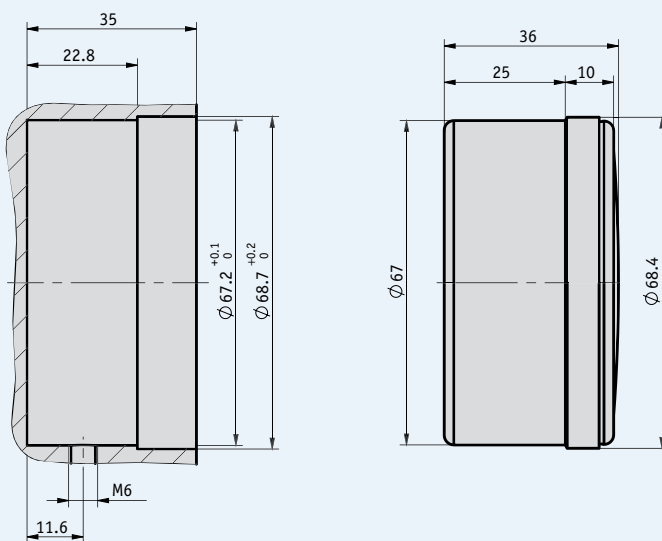
- Analog position indicator
- Data logging based on the gravity principle
- High stability thanks to doubly supported pointer shaft
- Very robust, glass-fiber enforced plastic housing
- Wide range of gear ratios
- Special scales, also for small numbers of pieces
- Dustproof, oil-filled or waterproof versions
- Optionally with reinforced housing for demanding environmental condition



Version N, P, W



Version NL, PL



Mechanical data

Feature	Technical data	Additional information
Housing	plastic, reinforced	
Weight of versions N, W and NL	0.1 kg	
Weight of version P and PL	0.2 kg	

Order

Order table

Feature	Order data	Technical data	Additional information
Version	N	dustproof	standard
	P	oil-filled	
	W	waterproof	
	NL	dustproof, reinforced housing	
	PL	oil-filled, reinforced housing	
Gear ratio	...	B 1, 2, 3, 6, 10, 12, 15, 18, 20, 24, 30, 36, 48, 50, 60, 72, 84, 96, 100	
		others on request	
Sense of rotation = ascending values	i	clockwise	
	e	counter-clockwise	
Pointer	1	pointer with gear ratio	and one pointer running 1:1
	2	one pointer with gear ratio	
Scale	N	normal scale	related to gear ratio
	VK	special scale	custom-designed, no VK with first article
Scale imprint	C1	one-color	
	C2	two-color	
	C3	three-color	

Order code

S70/1 - - - - - -