



Alfa Laval Optigo CC

Commercial air coolers - Single discharge

Extended range
featuring draw-through & blow-through models



Alfa Laval Optigo – Simply fresh, today and tomorrow

Optigo is the Alfa Laval platform for commercial air cooler ranges. Common distinctive features for all Optigo products are the newly developed and highly efficient cooler coil in combination with many other features, options and benefits.



Energy efficient



Expert reliability



Simple and available

Optigo CC(B) are commercial single discharge unit coolers for general application in small to medium-sized cooling, freezing and working rooms.

A wide range of models make them especially suitable for refrigerated working, processing and storage rooms. Dedicated ranges for H(C)FC refrigerants (E), brine (W) and CO₂ (X).

Optigo CC(B) coolers are available from stock.



Benefits Optigo CC(B)

- Available in both draw & blow through execution.
- Sufficient space for expansion valve inside casing.
- Eurovent certified performance (CC(B)E models only).
- Easy-install and maintenance. Vertically adjustable drip tray & removable inner drip tray. Hinged side panels.
- Hot-gas defrost ready.
- Energy efficient EC fans available.
- Two-year product guarantee.

Other Optigo products

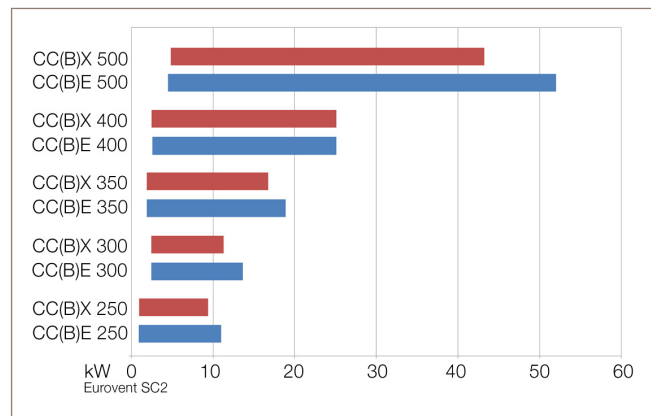
In addition to Optigo CC(B) single discharge unit coolers, the Alfa Laval Optigo platform also offers Optigo CS slim line coolers and Optigo CD dual discharge coolers.



Optigo CS



Optigo CD



Alfa Laval Optigo CC at a glance

- Suitable for all HFC DX (E), CO₂ DX (X) and brine refrigerants (W).
- Triangular (staggered) coil pitch.
- Fin spacings 3.3, 4, 5.5, 6, 7, 8, 9, 10 & 11 mm.
- 1 to 4 fans, drawing or blowing through the coil.
- Room temperatures +10 to -30 °C.
- Capacity range 1 up to 55 kW (SC2).
- Air volumes 770 up to 30000 m³/h.

Standard features

Coil

Internally grooved Cu tubes and aluminium fins, smooth tubing for brine applications and dedicated thicker tubes for CO₂ application. Tube pitch is staggered. All HFC DX models fitted with a T-connection to improve the refrigerant distribution and for hotgas defrost in coil.



cooler model	Fin spacing (mm)							
	3.3	4.0	5.5	6.0*	7.0	8.0*	10.0*	11.0*
CC 250	✓	✓	✓		✓			
CC 300	✓	✓	✓		✓			
CC 350	✓	✓	✓		✓			
CC 400	✓	✓	✓		✓			
CC 500		✓	✓	✓	✓	✓	✓	✓

* Fin spacing not available for CCBX

Casing

All casing parts made of durable sheet metal, epoxy coated RAL 9002. Top plate corrosion resistant Magnelis®. All models fitted with hinged side panels and aluminium drip tray. Drip tray is adjustable for perfect leveling. Removable internal drip tray for inspection & cleaning.

Packing

Optigo CC(B) 250/300/350 models are delivered in wood-reinforced cardboard boxes, CC(B) 400/500 models in wooden crates. All packings suitable for safe stacking.

Design pressure

Each heat exchanger is leak tested with dry air and finally supplied with a nitrogen pre-charge (CCE & CCX).

Model	Refrigerant	Design pressure	Test pressure
CC(B) E	HFC	40 bar	57 bar
CC(B) X	CO ₂	80 bar	114 bar
CC(B) W	Brine	10 bar	14.3 bar

Fan motors

Optigo CC coolers are available with 1 to 4 fans fitted with AC or EC fan motors in two fan speed executions (noise levels) H/L.



Fan diameters 250, 300, 350, 400 or 500 mm drawing or blowing through the coil. Integrated thermo contacts (Clixon) standard for 3-phase AC motors. All single phase motors protected by an integrated internal overload switch. Electronically integrated overload protection for EC fan motors.



Optional features

Defrost systems **E** **HD** **HG**

For cold rooms with room temperatures below 4 °C and where frost build-up is likely, the application of a defrosting system is advised. Available defrost systems are electric defrost in coil (E) and driptray (HD), and hotgas defrost in driptray (HG). Electric defrost for Optigo CC consists of stainless steel heater elements. The defrost elements are connected to separate terminals in the terminal box. Electric defrost capacities on page 7.

Shutup socks **S**

For enhanced defrost efficiency.



Airsock adapter ring **SR**

Available for CC400 and CC500 draw-through models only.

Driptray insulation **IS**

Fan ring heater **FRH**

Re-heating coil **RH**

Central terminal box **CB**

Fan motors wired to central terminal box.

Repair switch **SW**

Stainless steel 304 casing & frame **SS**

Fin protection **EP** **CA**

Fin protection is available for more aggressive climate conditions. The following fin protection types are available:

- Epoxy coated aluminium fins (EP)
- Cataphoresis treatment (CA)

Cataphoresis ('cathodic electro-deposition') is a process of coating by immersion, based on the movement of charged particles in an electric field (coating) towards an oppositely charged pole that is to be painted (coil).

The complete coil is sunk into the coating basin.

Code description

CC	B	E	H	E	30	1.1	A	S	230V	BO	SS	E	-EP	4.0	CU	HD	
1	2	3	4	5	6	7	8	9	10	11	12	13	14	15	16	17	18

- Commercial unit cooler
- Air direction (default=draw through, B=blow through)
- Refrigerant system (E = H(C)FC DX, X=CO₂, W=brine)
- Fan speed (H = high; L = low)
- Fan motor type (empty=AC, E=EC fan)
- Fan Ø (25=250, 30=300*, 35=350, 40=400, 50=500 mm)
- Number of fans (1 to 4)
- CC version
- Tube rows code (A, B, C)
- No. of phases (S= 1 phase, T= 3 phases)
- Motor voltage
- Packing (BO=box, CR=crate)
- Casing material (PC=powder coated, SS= stainless steel)
- Defrost system (A= air defrost, E= electric defrost, HG= hotgas, HG+E= hotgas + electric defrost in driptray)
- Coil protection (EP= epoxy coated aluminium, CA=cataphoresis)
- Fin spacing (3.3, 4, 5.5, 6, 7, 8, 10 or 11 mm)
- Tube material (CU=copper)
- Options

* available only for blow through design

Fan materials

	ø 250 mm	ø 300 mm*	ø 350 mm	ø 400 mm	ø 500 mm
AC fans 230/50/1					
Fan blade material	Sheet steel, black coated	Sheet steel, black coated	Sheet steel, black coated	Sheet steel, black coated	Pressed-on round sheet steel, extrusion-coated PP plastic
Fan guard material	Steel, phosphated and black plastic coated	Steel, phosphated and black plastic coated	Steel, phosphated and black plastic coated	Steel, phosphated and black plastic coated	Steel, phosphated and black plastic coated
Protection class	IP44	IP44	IP44	IP44	IP54
Insulation class	B	B	F	B	F
Condensate discharge	Rotor side	Rotor side	Rotor side	Rotor side	Rotor side
Bearings	Maintenance-free ball bearings	Maintenance-free ball bearings	Maintenance-free ball bearings	Maintenance-free ball bearings	Maintenance-free ball bearings
Motor protection	Thermal overload protector wired internally	Thermal overload protector wired internally	Thermal overload protector wired internally	Thermal overload protector wired internally	Thermal overload protector wired internally
AC fans 230-400/50/3					
Fan blade material	Sheet steel, black coated	Sheet steel, black coated	Sheet steel, black coated	Sheet steel, black coated	Pressed-on round sheet steel, extrusion-coated PP plastic
Fan guard material	Steel, phosphated and black plastic coated	Steel, phosphated and black plastic coated	Steel, phosphated and black plastic coated	Steel, phosphated and black plastic coated	Steel, phosphated and black plastic coated
Protection class	IP44	IP44	IP44	IP54	IP54
Insulation class	B	B	F	F	F
Condensate discharge	Rotor side	Rotor side	Rotor side	Rotor side	Rotor side
Bearings	Maintenance-free ball bearings	Maintenance-free ball bearings	Maintenance-free ball bearings	Maintenance-free ball bearings	Maintenance-free ball bearings
Motor protection	Thermostat switch	Thermostat switch	Thermostat switch	Thermostat switch	Thermostat switch
EC fans					
Fan blade material	Hyblade (fiberglass)	Hyblade (fiberglass)	Hyblade (fiberglass)	Hyblade (fiberglass)	Hyblade (fiberglass)
Fan guard material	Steel, phosphated and black plastic coated	Steel, phosphated and black plastic coated	Steel, phosphated and black plastic coated	Steel, phosphated and black coated	Steel, phosphated and black coated
Protection class	IP54	IP54	IP54	IP54	IP54
Insulation class	B	B	B	B	B
Condensate discharge	None, open rotor	None, open rotor	None, open rotor	Rotor side	Rotor side
Bearings	Maintenance-free ball bearings	Maintenance-free ball bearings	Maintenance-free ball bearings	Maintenance-free ball bearings	Maintenance-free ball bearings
Motor protection	Electronics	Electronics	Electronics	Electronics	Electronics

*CCB only

Draw through fans

Fan motor article nr.	Fan diameter mm	AC/EC	Poles nr.	Volt V	Phases nr.	Fan speed code	Freq. Hz	*Fan speed rpm	*Nominal power W	*Max. current A
AC fans 230/50/1										
41103191SP	250	AC	2	230	1	H	50-60	2250	118	0.65
41103241SP	250	AC	4	230	1	L	50-60	1350	45	0.26
41101520SP	350	AC	4	230	1	H	50-60	1400	130	0.70
41101521SP	350	AC	6	230	1	L	50-60	945	65	0.37
41101165SP	400	AC	4	230	1	H	50-60	1380	219	1.16
41101490SP	400	AC	6	230	1	L	50-60	870	120	0.64
41101545SP	500	AC	4	230	1	H	50-60	1300	680	3.60
41101510SP	500	AC	6	230	1	L	50-60	910	300	1.56
AC fans 230-400/50/3										
41101243SP	250	AC	2	230-400	3	H	50-60	2500	100	0.24
41101525SP	350	AC	4	230-400	3	H	50-60	1370	170	0.77
41101152SP	400	AC	4	400	3	H	50-60	1340	280	0.66
41101292SP	400	AC	6	400	3	L	50-60	900	120	0.34
41101546SP	500	AC	4	400	3	H	50-60	1390	720	1.69
41101504SP	500	AC	6	400	3	L	50-60	870	290	0.89
EC fans										
41101558SP	250	EC		230	1	H	50-60	2250	70	0.77
						L		1350	20	0.26
41103185SP	350	EC		230	1	H	50-60	1400	98	0.98
						L		945	58	0.56
41103258SP	400	EC		230	1	H	50-60	1380	135	1.32
						L		870	78	0.83
11000126SP	500	EC		230	1	H	50-60	1300	600	3.24
11000127SP	500	EC		230	1	L	50-60	910	250	1.36
11000128SP	500	EC		380-480	3	H	50-60	1390	489	1.02
11000129SP	500	EC		380-480	3	L	50-60	1180	308	0.72

* Specifications for 50Hz and 230V for 230-400 fans, 400V for 380-480 fans. Maximum current at t = -30 °C.

Blow through fans

Fan motor article nr.	Fan diameter mm	AC/EC	Poles nr.	Volt V	Phases nr.	Fan speed code	Freq. Hz	*Fan speed rpm	*Nominal power W	*Max. current A
AC fans 230/50/1										
41101624SP	250	AC		230	1	H	50-60	2270	134	0.7
41101625SP	250	AC		230	1	L	50-60	1350	45	0.26
41101647SP	300	AC		230	1	H	50-60	2560	162	0.852
41101453SP	300	AC		230	1	L	50-60	1320	72	0.384
41101629SP	350	AC		230	1	H	50-60	1400	180	0.97
41101630SP	350	AC		230	1	L	50-60	910	74	0.42
41101276SP	400	AC		230	1	H	50-60	1380	219	1.16
41101492SP	400	AC		230	1	L	50-60	870	120	0.64
41101635SP	500	AC		230	1	H	50-60	1300	680	3.6
41101636SP	500	AC		230	1	L	50-60	865	220	1.16
AC fans 230-400/50/3										
41101626SP	250	AC		230-400	3	H	50-60	2310	127	0.26
41101628SP	300	AC		400	3	L	50-60	1300	68	0.17
41101631SP	350	AC		230-400	3	H	50-60	1370	170	0.77
41101215SP	400	AC		400	3	H	50-60	1400	229	0.64
41101637SP	500	AC		400	3	H	50-60	1390	720	1,69
41101638SP	500	AC		400	3	L	50-60	920	260	0,83
EC fans										
41101639SP	250	EC		230	1	H	50-60	2330	83	0.84
						L		1310	15	0.16
41101640SP	300	EC		230	1	H	50-60	1900	117	1.14
						L		1350	43	0.48
41101641SP	350	EC		230	1	H	50-60	1530	161	1.57
						L		1045	52	0.5
41101642SP	400	EC		230	1	H	50-60	1250	175	1.38
						L		1000	89	0.68
41101643SP	500	EC		230	1	H	50-60	1400	696	3.74
						L		900	190	0.96
41101644SP	500	EC		400	3	H	50-60	1400	600	1.2
						L		1000	240	0.6

* Specifications for 50Hz and 230V for 230-400 fans, 400V for 380-480 fans. Maximum current at t = -30 °C.

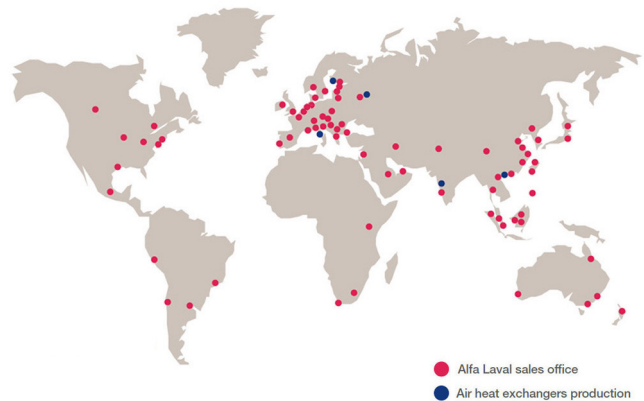
Quality and certifications

All Alfa Laval Optigo production sites are certified according to ISO 9001 (Quality) and ISO 14001 (Environment). Alfa Laval Optigo units are built according to the strictest international standards in terms of safety, energy efficiency and environmental sustainability. All units are given a 2-year guarantee. Alfa Laval is participant in the Eurovent Certify All programme for air-cooled condensers, dry coolers and DX air coolers. All Optigo products are manufactured according to CE and PED regulations.



Worldwide support

Alfa Laval offers worldwide support from product and application specialists via 103 sales offices in 53 countries. Alfa Laval offers a comprehensive portfolio of parts and services including quality spare parts delivery via channel partners, reconditioning, on-site services, performance agreements, exclusive stock stored, upgrades, consulting services and training.



Product selection and information

Our easy-to-use selection software helps you select the most suitable air cooler solution for your specific application. The software provides separate modules for thermal and mechanical design. The data sheet printout provides all relevant technical specifications for the selected cooler model, including detailed dimensional drawings. Additional product information like user manuals, CAD drawings and electrical connections is available for download on the Optigo CC product page on our website www.alfalaval.com.

CAS 5

File Edit Actions Settings Tools Windows Help

AlfaSelect AIR

Direct Expansion Air Cooler Pump Air Cooler Brine Air Cooler Air Cooled Condenser Air Cooled Liquid Cooler ColdRoom Settings

Duty Mode: Design
 Operating Mode: Direct Expansion
 Family: <All Families>
 Type: Optigo CC
 Series: CCE

Calculation
 Capacity: 21.00 [kW]
 Airtemp: 0.0 [°C]
 EvapTemp: -8.0 [°C]
 Rel humidity: 85.0 [%]
 TempDiff: 8.0 [K]
 EuroventClass: -
 Fluid: R404A

Optigo CC

Fan Input
 EC Motor:
 Power supply: 50Hz
 Noise Level: H
 Blade material: Auto Selection
 ERP2015 compliant:
 Coil Input
 MinFinspacing: 4.0
 Fin material: Aluminium
 Tube material: Copper

Air Coolers Single air flow - 50 Hz

DTM	6.10	[K]
ErP 2015 compliant		
Length	2200.0	[mm]
Height	685.0	[mm]
Depth	630.0	[mm]
Dry weight (approx +/- 5%)	148.1	[kg]
Fin Spacing	4.0	[mm]
Fin Material	Aluminium	
Tube Material	Copper	
Sound power LWA	79	[dB(A)]
Number of fans	3	
Fan diameter	400.0	[mm]
Fan Connection	D	
Voltage	400V	
Rotation speed	1340	[rpm]
Nom.power consumption	840.0	[W]
Nominal current	1.65	[A]
Full load current (-30%)	1.98	[A]

Attention: Prices in the result-list below are base-prices without any of the selected options. These prices are used for sorting the resultlist.
 Selected unit: CCEH403BD 400V BO PCA AL 4.0 CU
 Total price (RCPL) incl. Selected options: 2393 EUR

Model	Capacity kW	Surface Area m²	FinSpacing mm	Margin %	Air Flow m³/s	Air Throw m	Sound Pressure dB(A)	Sound Power LWA	Fan Conn Speed(rpm)	Motor (W)	Tot Power Cons (A)	Tot Curr. Abs (A)	Price	Note
CCEH403BT	19.26	74.19	4.0	-8.30	2.769	25.62	58	79	D 1340	840.0	1.65	2393		
CCEH502AT	19.36	106.2	4.0	-7.80	4.043	33.33	58	79	D 1390	1440.0	2.82	2565		

Capacities and technical data

On the next pages you will find capacities and other selection data for air cooler models with 4, 7 and 10 mm fin spacing fitted with AC fan motor types. To select other cooler models please use our Alfa Laval selection software.

Cooling capacities

Cooling capacities as given in the tables are nominal capacities for frosted conditions (Q_n) in compliance with Eurovent regulations and EN328. These nominal values have been calculated from the standard (dry) condition Q_{st} with the following formula: $Q_n = Q_{st} \times \text{correction factor}$.

Standard Condition	Air inlet temp. (°C)	Evaporating temp. (°C)	Relative humidity	Correction factor
SC1	10	0	85%	1.35
SC2	0	-8	85%	1.15
SC3	-18	-25	95%	1.05
SC4	-25	-31	95%	1.01

In addition to the Eurovent Standard Conditions, the tables also show DT1 capacity values for $T_{\text{air-on}} +2^\circ\text{C}$ and $T_{\text{evap.}} -8^\circ\text{C}$ at RH 85%.

All nominal capacities are calculated with refrigerant R404A. For other refrigerants the following correction factors should be applied:

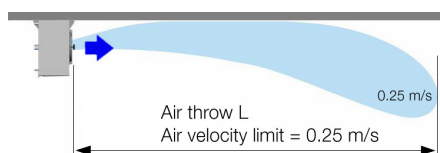
Refrigerant	DT1 +2/-8 °C	SC1	SC2	SC3	SC4
R134a	0.92	0.93	0.91	0.85	-
R507	0.97	0.97	0.97	0.97	0.97
R407F	1.22	1.19	1.24	1.29	1.35
R407A	1.22	1.19	1.24	1.28	1.32

Eurovent certified

The Eurovent Certify All program does not cover air cooler models for CO_2 and brine refrigerant applications. Only models for HFC refrigerants in DX execution and 50 Hz power supply are Eurovent certified.

Air throw

The values given in the tables are for ceiling mounted coolers at $t=20^\circ\text{C}$, an unrestrained air flow in the cold room and a minimal air velocity of 0.25 m/s at the given air throw distance. The height and air circulation of the room may influence the air throw.



Sound pressure dB(A)

Sound pressure as given in the tables are sound pressure levels in dB(A) at 3 m distance in free field conditions according to EN13487. Values may deviate depending on situations at site.

Model	Nominal capacities HFC DX			Draw-through AC fans 230/50/1							Connections	
	DT1 +2/-8 °C	SC1	SC2	nr.	fan power W	air throw m	sound pressure dB(A)	air flow m ³ /h	coil surface m ²	Int. volume dm ³	in mm	out mm
CCE												
Fin spacing 4 mm, fan speed H												
CCEH251.1A	2.8	3.1	2.1	1	118	7.8	54	1254	8.4	1.9	12	14
CCEH251.1B	3.5	3.9	2.6	1	118	7.5	54	1200	12.6	2.8	12	16
CCEH251.1C	3.9	4.3	2.9	1	118	7.2	54	1150	16.8	3.7	12	16
CCEH252.1A	5.4	6.1	4.1	2	236	11.3	57	2485	15.9	3.2	12	16
CCEH252.1B	6.6	7.4	5.0	2	236	10.7	57	2371	23.9	4.8	16	18
CCEH252.1C	7.7	8.4	5.8	2	236	10.3	57	2262	31.8	6.3	16	18
CCEH253.1A	7.8	8.8	5.9	3	354	13.9	59	3716	23.4	4.5	16	18
CCEH253.1B	10.3	11.3	7.7	3	354	13.2	59	3539	35.1	6.7	16	22
CCEH253.1C	11.2	12.4	8.4	3	354	12.6	59	3371	46.9	9.0	16	22
CCEH254.1A	11.1	12.2	8.2	4	472	16.1	60	4946	30.9	5.8	16	22
CCEH254.1B	13.2	14.7	9.9	4	472	15.3	60	4707	46.4	8.7	16	22
CCEH351.1A	5.4	6.0	4.0	1	184	13.0	49	2643	13.5	3.0	12	16
CCEH351.1B	6.7	7.4	5.0	1	184	12.2	49	2468	20.2	4.5	16	18
CCEH351.1C	7.5	8.3	5.6	1	184	11.4	49	2314	26.9	5.9	16	22
CCEH352.1A	10.5	11.6	7.8	2	368	18.7	52	5213	25.5	5.1	16	22
CCEH352.1B	12.2	13.9	9.3	2	368	17.3	52	4840	38.2	7.6	22	22
CCEH352.1C	14.7	16.0	10.9	2	368	16.2	52	4515	50.9	10.1	22	28
CCEH353.1A	15.9	17.3	11.7	3	552	23.0	54	7779	37.5	7.2	22	28
CCEH353.1B	19.3	21.4	14.4	3	552	21.3	54	7209	56.2	10.8	22	28
CCEH353.1C	20.7	23.2	15.7	3	552	19.8	54	6712	75.0	14.4	22	28
CCEH354.1A	20.7	23.0	15.4	4	736	26.6	55	10350	49.5	9.3	22	28
CCEH354.1B	24.2	27.5	18.4	4	736	24.6	55	9576	74.2	13.9	28	28
Fin spacing 4 mm, fan speed L												
CCEL251.1A	2.0	2.2	1.5	1	45	4.7	34	746	8.4	1.9	12	14
CCEL251.1B	2.4	2.7	1.8	1	45	4.5	34	718	12.6	2.8	12	16
CCEL251.1C	2.6	2.9	2.0	1	45	4.3	34	692	16.8	3.7	12	16
CCEL252.1A	4.0	4.4	3.0	2	90	6.7	37	1481	15.9	3.2	12	16
CCEL252.1B	4.7	5.2	3.5	2	90	6.4	37	1420	23.9	4.8	16	18
CCEL252.1C	5.2	5.6	3.9	2	90	6.2	37	1364	31.8	6.3	16	18
CCEL253.1A	5.8	6.4	4.3	3	135	8.3	39	2215	23.4	4.5	16	18
CCEL253.1B	7.2	7.8	5.3	3	135	7.9	39	2121	35.1	6.7	16	22
CCEL253.1C	7.7	8.4	5.8	3	135	7.6	39	2035	46.9	9.0	16	22
CCEL254.1A	7.9	8.6	5.9	4	180	9.6	40	2948	30.9	5.8	16	22
CCEL254.1B	9.3	10.3	7.0	4	180	9.2	40	2822	46.4	8.7	16	22
CCEL351.1A	4.1	4.5	3.1	1	65	8.3	42	1683	13.5	3.0	12	16
CCEL351.1B	4.9	5.3	3.7	1	65	7.6	42	1547	20.2	4.5	16	18
CCEL351.1C	5.3	5.7	3.9	1	65	7.1	42	1437	26.9	5.9	16	22
CCEL352.1A	8.0	8.8	5.9	2	130	11.9	45	3307	25.5	5.1	16	22
CCEL352.1B	9.2	10.2	6.9	2	130	10.8	45	3024	38.2	7.6	22	22
CCEL352.1C	10.2	11.1	7.6	2	130	10.0	45	2797	50.9	10.1	22	28
CCEL353.1A	11.9	12.9	8.8	3	195	14.6	47	4929	37.5	7.2	22	28
CCEL353.1B	14.1	15.4	10.5	3	195	13.3	47	4498	56.2	10.8	22	28
CCEL353.1C	14.8	16.3	11.1	3	195	12.3	47	4154	75.0	14.4	22	28
CCEL354.1A	15.7	17.3	11.7	4	260	16.8	48	6550	49.5	9.3	22	28
CCEL354.1B	18.2	20.2	13.7	4	260	15.4	48	5972	74.2	13.9	28	28

Model	Nominal capacities HFC DX				Draw-through AC fans 230/50/1							Connections	
	DT1 +2/-8 °C kW	SC2 kW	SC3 kW	SC4 kW	nr.	fan power W	air throw m	sound pressure dB(A)	air flow m ³ /h	coil surface m ²	Int. volume dm ³	in mm	out mm
Fin spacing 7 mm. fan speed H													
CCEH251.1A	2.1	1.6	1.2	1.0	1	118	8.0	54	1288	5.1	1.9	12	14
CCEH251.1B	2.8	2.1	1.6	1.3	1	118	7.8	54	1248	7.7	2.8	12	16
CCEH251.1C	3.3	2.5	2.0	1.6	1	118	7.5	54	1210	10.2	3.7	12	16
CCEH252.1A	4.2	3.1	2.4	2.0	2	236	11.6	57	2559	9.7	3.2	12	16
CCEH252.1B	5.4	4.0	3.2	2.5	2	236	11.2	57	2472	14.5	4.8	16	18
CCEH252.1C	6.5	4.8	3.8	3.1	2	236	10.8	57	2391	19.4	6.3	16	18
CCEH253.1A	6.1	4.5	3.5	2.8	3	354	14.3	59	3829	14.2	4.5	16	18
CCEH253.1B	8.2	6.1	4.9	4.0	3	354	13.8	59	3695	21.4	6.7	16	22
CCEH253.1C	9.5	7.1	5.6	4.6	3	354	13.3	59	3571	28.5	9.0	16	22
CCEH254.1A	8.3	6.1	4.9	4.0	4	472	16.6	60	5098	18.8	5.8	16	22
CCEH254.1B	10.7	8.0	6.3	5.1	4	472	16.0	60	4918	28.2	8.7	16	22
CCEH351.1A	4.1	3.1	2.4	1.9	1	184	13.6	49	2752	8.2	3.0	12	16
CCEH351.1B	5.4	4.0	3.2	2.6	1	184	12.9	49	2618	12.3	4.5	16	18
CCEH351.1C	6.4	4.7	3.8	3.1	1	184	12.3	49	2495	16.4	5.9	16	22
CCEH352.1A	8.1	6.0	4.7	3.8	2	368	19.5	52	5447	15.5	5.1	16	22
CCEH352.1B	10.2	7.7	5.9	4.7	2	368	18.5	52	5158	23.2	7.6	22	22
CCEH352.1C	12.4	9.2	7.3	6.0	2	368	17.5	52	4895	31.0	10.1	22	28
CCEH353.1A	12.0	8.8	7.0	5.7	3	552	24.0	54	8140	22.8	7.2	22	28
CCEH353.1B	15.7	11.7	9.2	7.5	3	552	22.7	54	7695	34.2	10.8	22	28
CCEH353.1C	18.0	13.5	10.5	8.4	3	552	21.5	54	7292	45.6	14.4	22	28
CCEH354.1A	15.9	11.8	9.2	7.5	4	736	27.8	55	10830	30.1	9.3	22	28
CCEH354.1B	20.2	15.2	11.7	9.3	4	736	26.3	55	10230	45.1	13.9	28	28
Fin spacing 7 mm. fan speed L													
CCEL251.1A	1.5	1.1	0.9	0.7	1	45	4.8	34	768	5.1	1.9	12	14
CCEL251.1B	1.9	1.5	1.2	1.0	1	45	4.7	34	746	7.7	2.8	12	16
CCEL251.1C	2.3	1.7	1.4	1.1	1	45	4.5	34	727	10.2	3.7	12	16
CCEL252.1A	3.0	2.2	1.8	1.4	2	90	6.9	37	1526	9.7	3.2	12	18
CCEL252.1B	3.8	2.8	2.3	1.9	2	90	6.7	37	1479	14.5	4.8	16	18
CCEL252.1C	4.4	3.3	2.7	2.2	2	90	6.5	37	1438	19.4	6.3	16	18
CCEL253.1A	4.4	3.3	2.6	2.1	3	135	8.5	39	2284	14.2	4.5	16	22
CCEL253.1B	5.7	4.2	3.4	2.8	3	135	8.3	39	2212	21.4	6.7	16	22
CCEL253.1C	6.6	4.9	3.9	3.2	3	135	8.0	39	2149	28.5	9.0	16	22
CCEL254.1A	5.9	4.3	3.5	2.9	4	180	9.9	40	3042	18.8	5.8	16	22
CCEL254.1B	7.5	5.6	4.5	3.7	4	180	9.6	40	2945	28.2	8.7	22	28
CCEL351.1A	3.1	2.3	1.8	1.5	1	65	8.8	42	1783	8.2	3.0	12	16
CCEL351.1B	4.0	3.0	2.4	1.9	1	65	8.3	42	1676	12.3	4.5	16	18
CCEL351.1C	4.6	3.4	2.7	2.2	1	65	7.8	42	1582	16.4	5.9	16	18
CCEL352.1A	6.1	4.5	3.6	2.9	2	130	12.6	45	3519	15.5	5.1	16	18
CCEL352.1B	7.6	5.7	4.5	3.6	2	130	11.8	45	3291	23.2	7.6	22	22
CCEL352.1C	8.9	6.6	5.3	4.4	2	130	11.1	45	3095	31.0	10.1	22	22
CCEL353.1A	9.0	6.6	5.2	4.3	3	195	15.5	47	5254	22.8	7.2	22	22
CCEL353.1B	11.5	8.6	6.8	5.6	3	195	14.5	47	4904	34.2	10.8	22	28
CCEL353.1C	13.0	9.7	7.7	6.3	3	195	13.6	47	4606	45.6	14.4	22	28
CCEL354.1A	12.0	8.9	7.0	5.7	4	260	18.0	48	6987	30.1	9.3	22	28
CCEL354.1B	15.1	11.3	8.9	7.2	4	260	16.8	48	6516	45.1	13.9	28	28

Model	Nominal capacities HFC DX			Draw-through AC fans 400/50/3							Connections	
	DT1 +2/-8 °C kW	SC1 kW	SC2 kW	nr.	fan power W	air throw m	sound pressure dB(A)	air flow m ³ /h	coil surface m ²	Int. volume dm ³	in mm	out mm
CCE												
Fin spacing 4 mm, fan speed H												
CCEH251.1A	2.8	3.2	2.1	1	100	8.1	58	1304	8.4	1.9	12	14
CCEH251.1B	3.6	4.0	2.7	1	100	7.8	58	1255	12.6	2.8	12	16
CCEH251.1C	4.1	4.5	3.1	1	100	7.5	58	1209	16.8	3.7	12	16
CCEH252.1A	5.6	6.2	4.2	2	200	11.7	61	2588	15.9	3.2	12	16
CCEH252.1B	6.8	7.7	5.2	2	200	11.3	61	2482	23.9	4.8	16	18
CCEH252.1C	8.0	8.8	6.0	2	200	10.8	61	2384	31.8	6.3	16	18
CCEH253.1A	7.9	9.0	6.0	3	300	14.5	63	3871	23.4	4.5	16	18
CCEH253.1B	10.6	11.7	7.9	3	300	13.9	63	3709	35.1	6.7	16	22
CCEH253.1C	11.6	12.9	8.8	3	300	13.3	63	3556	46.9	9.0	16	22
CCEH254.1A	11.3	12.5	8.4	4	400	16.8	64	5154	30.9	5.8	16	22
CCEH254.1B	13.5	15.2	10.2	4	400	16.0	64	4934	46.4	8.7	16	22
CCEH351.1A	5.2	5.8	3.9	1	170	12.3	48	2493	13.5	3.0	12	16
CCEH351.1B	6.5	7.2	4.9	1	170	11.5	48	2334	20.2	4.5	16	18
CCEH351.1C	7.2	7.9	5.4	1	170	10.8	48	2188	26.9	5.9	16	22
CCEH352.1A	10.2	11.2	7.6	2	340	17.6	51	4919	25.5	5.1	16	22
CCEH352.1B	11.9	13.4	9.0	2	340	16.4	51	4578	38.2	7.6	22	22
CCEH352.1C	14.1	15.4	10.5	2	340	15.3	51	4267	50.9	10.1	22	28
CCEH353.1A	15.3	16.7	11.3	3	510	21.7	53	7343	37.5	7.2	22	28
CCEH353.1B	18.6	20.6	13.9	3	510	20.1	53	6818	56.2	10.8	22	28
CCEH353.1C	20.0	22.3	15.1	3	510	18.7	53	6342	75.0	14.4	22	28
CCEH354.1A	20.0	22.2	14.9	4	680	25.1	54	9766	49.5	9.3	22	28
CCEH354.1B	23.5	26.6	17.8	4	680	23.3	54	9058	74.2	13.9	28	28

Model	Nominal capacities HFC DX			Draw-through AC fans 400/50/3							Connections	
	DT1 +2/-8 °C kW	SC1 kW	SC2 kW	nr.	fan power W	air throw m	sound pressure dB(A)	air flow m ³ /h	coil surface m ²	Int. volume dm ³	in mm	out mm
CCE												
Fin spacing 4 mm, fan speed H												
CCEH401A	7.3	8.0	5.4	1	280	16.0	53	3653	17.0	3.7	16	18
CCEH401B	8.6	9.7	6.5	1	280	14.8	53	3367	25.5	5.5	16	18
CCEH401C	9.9	10.9	7.4	1	280	13.7	53	3122	34.1	7.3	16	22
CCEH402A	13.8	15.6	10.4	2	560	22.8	56	7254	33.3	6.5	16	22
CCEH402B	15.5	18.1	11.9	2	560	20.9	56	6668	49.9	9.8	16	22
CCEH402C	19.5	21.5	14.6	2	560	19.3	56	6169	66.5	13.0	22	35
CCEH403A	21.5	23.7	15.9	3	840	27.9	58	10850	49.5	9.3	22	28
CCEH403B	25.5	28.7	19.3	3	840	25.6	58	9968	74.2	14.0	22	28
CCEH403C	26.8	30.6	20.5	3	840	23.7	58	9214	98.9	18.7	22	28
CCEH404A	27.6	31.0	20.7	4	1120	32.3	59	14450	65.7	12.2	22	28
CCEH404B	31.0	36.0	23.8	4	1120	29.6	59	13270	98.5	18.3	22	28
CCEH404C	35.7	40.8	27.2	4	1120	27.4	59	12260	131.4	24.4	22	35
CCEH501A	13.1	14.7	9.7	1	720	23.5	55	7304	54.0	6.5	16	35
CCEH501B	17.1	18.7	12.6	1	720	22.2	55	6911	81.0	9.7	22	35
CCEH501C	19.4	21.3	14.4	1	720	21.1	55	6567	108.0	13.0	22	42
CCEH502A	26.1	29.1	19.4	2	1440	33.3	58	14560	106.2	11.7	22	42
CCEH502B	33.6	37.1	24.9	2	1440	31.5	58	13750	159.2	17.5	28	42
CCEH502C	37.2	41.7	28.0	2	1440	29.9	58	13050	212.3	23.4	28	42
CCEH503B	46.0	53.1	35.0	3	2160	38.6	60	20600	237.5	25.4	28	42
CCEH503C	47.9	56.7	37.0	3	2160	36.6	60	19540	316.6	33.9	28	42
CCEH504B	53.0	63.9	41.3	4	2880	44.6	61	27440	315.7	33.3	28	54
CCEH504C	74.2	83.1	55.7	4	2880	42.3	61	26020	420.9	44.3	28	54
Fin spacing 4 mm, fan speed L												
CCEL401A	5.4	5.9	4.0	1	120	9.7	43	2220	17.0	3.7	16	18
CCEL401B	6.3	6.9	4.7	1	120	8.9	43	2038	25.5	5.5	16	18
CCEL401C	6.8	7.4	5.1	1	120	8.3	43	1886	34.1	7.3	16	22
CCEL402A	10.4	11.5	7.8	2	240	13.8	46	4406	33.3	6.5	16	22
CCEL402B	11.8	13.3	8.9	2	240	12.7	46	4034	49.9	9.8	16	22
CCEL402C	13.5	14.7	10.1	2	240	11.7	46	3725	66.5	13.0	22	35
CCEL403A	15.9	17.3	11.7	3	360	17.0	48	6592	49.5	9.3	22	28
CCEL403B	18.6	20.4	13.9	3	360	15.5	48	6030	74.2	14	22	28
CCEL403C	19.3	21.5	14.6	3	360	14.3	48	5564	98.9	18.7	22	28
CCEL404A	20.8	23.0	15.5	4	480	19.6	49	8777	65.7	12.2	22	28
CCEL404B	23.5	26.5	17.8	4	480	17.9	49	8025	98.5	18.3	22	28
CCEL404C	25.7	28.6	19.5	4	480	16.5	49	7403	131.4	24.4	22	35
CCEL501A	10.4	11.4	7.7	1	290	15.4	45	4807	54.0	6.5	16	35
CCEL501B	13.0	14.1	9.5	1	290	14.6	45	4561	81.0	9.7	22	35
CCEL501C	14.4	15.7	10.7	1	290	13.9	45	4329	108.0	13.0	22	42
CCEL502A	20.6	22.7	15.2	2	580	21.9	48	9582	106.2	11.7	22	42
CCEL502B	25.7	28.1	19.0	2	580	20.8	48	9077	159.2	17.5	28	42
CCEL502C	28.2	31.1	21.1	2	580	19.7	48	8602	212.3	23.4	28	42
CCEL503B	36.7	41.3	27.7	3	870	25.5	50	13590	237.5	25.4	28	42
CCEL503C	38.5	44.2	29.5	3	870	24.1	50	12870	316.6	33.9	28	42
CCEL504B	44.3	51.7	34.0	4	1160	29.5	51	18110	315.7	33.3	28	54
CCEL504C	56.3	62.0	42.1	4	1160	27.9	51	17150	420.9	44.3	28	54

Model	Nominal capacities HFC DX				Draw-through AC fans 400/50/3							Connections	
	DT1 +2/-8 °C	SC2	SC3	SC4	fan power nr.	air throw W	sound pressure dB(A)	air flow m ³ /h	coil surface m ²	Int. volume dm ³	in mm	out mm	
CCE	kW	kW	kW	kW									
Fin spacing 7 mm, fan speed H													
CCEH251.1A	2.2	1.6	1.3	1.0	1	100	8.3	58	1337	5.1	1.9	12	14
CCEH251.1B	2.9	2.1	1.7	1.4	1	100	8.1	58	1298	7.7	2.8	12	16
CCEH251.1C	3.4	2.5	2.0	1.6	1	100	7.9	58	1264	10.2	3.7	12	16
CCEH252.1A	4.3	3.2	2.5	2.0	2	200	12.0	61	2658	9.7	3.2	12	16
CCEH252.1B	5.5	4.2	3.2	2.6	2	200	11.7	61	2575	14.5	4.8	16	18
CCEH252.1C	6.7	5.0	4.0	3.2	2	200	11.3	61	2501	19.4	6.3	16	18
CCEH253.1A	6.2	4.6	3.6	2.9	3	300	14.9	63	3977	14.2	4.5	16	18
CCEH253.1B	8.5	6.3	5.0	4.1	3	300	14.4	63	3851	21.4	6.7	16	22
CCEH253.1C	9.8	7.4	5.8	4.7	3	300	14.0	63	3737	28.5	9.0	16	22
CCEH254.1A	8.5	6.3	5.0	4.1	4	400	17.2	64	5297	18.8	5.8	16	22
CCEH254.1B	11.0	8.2	6.4	5.2	4	400	16.7	64	5126	28.2	8.7	16	22
CCEH351.1A	4.0	3.0	2.3	1.9	1	170	12.8	48	2595	8.2	3.0	12	16
CCEH351.1B	5.2	3.9	3.1	2.5	1	170	12.2	48	2471	12.3	4.5	16	18
CCEH351.1C	6.1	4.6	3.6	3.0	1	170	11.6	48	2359	16.4	5.9	16	22
CCEH352.1A	7.8	5.8	4.5	3.7	2	340	18.4	51	5136	15.5	5.1	16	22
CCEH352.1B	9.8	7.4	5.7	4.6	2	340	17.5	51	4872	23.2	7.6	22	22
CCEH352.1C	12.0	8.9	7.1	5.8	2	340	16.6	51	4631	31.0	10.1	22	28
CCEH353.1A	11.6	8.5	6.7	5.5	3	510	22.7	53	7675	22.8	7.2	22	28
CCEH353.1B	15.1	11.2	8.9	7.2	3	510	21.5	53	7269	34.2	10.8	22	28
CCEH353.1C	17.3	13.0	10.1	8.2	3	510	20.4	53	6900	45.6	14.4	22	28
CCEH354.1A	15.3	11.4	8.9	7.2	4	680	26.3	54	10210	30.1	9.3	22	28
CCEH354.1B	19.5	14.6	11.3	9.1	4	680	24.8	54	9666	45.1	13.9	28	28

Model	Nominal capacities HFC DX				Draw-through AC fans 400/50/3							Connections	
	DT1 +2/-8 °C kW	SC2 kW	SC3 kW	SC4 kW	fan power nr.	air throw W	sound pressure dB(A)	air flow m ³ /h	coil surface m ²	Int. volume dm ³	in mm	out mm	
Fin spacing 7 mm, fan speed H													
CCEH401A	5.6	4.1	3.2	2.6	1	280	16.8	53	3836	10.4	3.7	16	18
CCEH401B	7.1	5.3	4.1	3.3	1	280	15.8	53	3609	15.5	5.5	16	18
CCEH401C	8.5	6.3	5.0	4.0	1	280	14.9	53	3408	20.7	7.3	16	22
CCEH402A	10.9	8.1	6.3	5.0	2	560	23.9	56	7630	20.2	6.5	16	22
CCEH402B	13.3	10.1	7.6	6.0	2	560	22.5	56	7164	30.3	9.8	16	22
CCEH402C	16.8	12.5	9.9	8.0	2	560	21.2	56	6749	40.4	13.0	22	35
CCEH403A	16.5	12.2	9.5	7.8	3	840	29.4	58	11420	30.1	9.3	22	28
CCEH403B	21.1	15.8	12.3	9.9	3	840	27.6	58	10720	45.1	14.0	22	28
CCEH403C	23.7	17.9	13.7	10.9	3	840	25.9	58	10090	60.2	18.7	22	28
CCEH404A	21.6	16.1	12.5	10.0	4	1120	34.0	59	15220	39.9	12.2	22	28
CCEH404B	26.5	20.1	15.1	11.9	4	1120	31.8	59	14270	59.9	18.3	22	28
CCEH404C	31.5	23.8	18.2	14.5	4	1120	30.0	59	13430	79.9	24.4	22	35
CCEH501A	9.4	6.9	5.3	4.2	1	720	24.6	55	7676	31.8	6.5	16	35
CCEH501B	12.7	9.3	7.2	5.8	1	720	23.8	55	7414	47.7	9.7	22	35
CCEH501C	15.4	11.3	8.8	7.2	1	720	23.0	55	7173	63.6	13.0	22	42
CCEH502A	18.6	13.6	10.5	8.4	2	1440	35.1	58	15320	62.5	11.7	22	42
CCEH502B	25.3	18.5	14.4	11.6	2	1440	33.8	58	14780	93.7	17.5	28	42
CCEH502C	30.1	22.4	17.3	13.8	2	1440	32.7	58	14290	124.9	23.4	28	42
CCEH503B	36.4	27.2	20.5	16.3	3	2160	41.5	60	22150	139.8	25.4	28	42
CCEH503C	41.0	31.2	23.0	17.9	3	2160	40.1	60	21400	186.3	33.9	28	42
CCEH504B	44.2	33.8	24.5	19.0	4	2880	48.0	61	29510	185.8	33.3	28	54
CCEH504C	60.1	44.7	34.4	27.6	4	2880	46.4	61	28510	247.7	44.3	28	54
Fin spacing 7 mm, fan speed L													
CCEL401A	4.1	3.0	2.4	1.9	1	120	10.3	43	2344	10.4	3.7	16	18
CCEL401B	5.2	3.8	3.0	2.5	1	120	9.6	43	2201	15.5	5.5	16	18
CCEL401C	5.9	4.4	3.5	2.9	1	120	9.1	43	2074	20.7	7.3	16	22
CCEL402A	8.0	5.9	4.7	3.8	2	240	14.6	46	4661	20.2	6.5	16	22
CCEL402B	9.9	7.5	5.8	4.6	2	240	13.7	46	4367	30.3	9.8	16	22
CCEL402C	11.7	8.7	7.0	5.8	2	240	12.9	46	4108	40.4	13	22	35
CCEL403A	12.0	8.8	7.0	5.8	3	360	17.9	48	6979	30.1	9.3	22	28
CCEL403B	15.3	11.4	9.0	7.4	3	360	16.8	48	6533	45.1	14.0	22	28
CCEL403C	17.1	12.9	10.1	8.2	3	360	15.8	48	6141	60.2	18.7	22	28
CCEL404A	15.9	11.8	9.3	7.6	4	480	20.7	49	9296	39.9	12.2	22	28
CCEL404B	19.8	14.8	11.5	9.3	4	480	19.4	49	8698	59.9	18.3	22	28
CCEL404C	22.8	17.1	13.5	10.9	4	480	18.2	49	8173	79.9	24.4	22	35
CCEL501A	7.4	5.4	4.2	3.4	1	290	16.2	45	5058	31.8	6.5	16	35
CCEL501B	9.8	7.2	5.6	4.6	1	290	15.7	45	4886	47.7	9.7	22	35
CCEL501C	11.8	8.7	6.8	5.6	1	290	15.2	45	4737	63.6	13.0	22	42
CCEL502A	14.7	10.8	8.4	6.8	2	580	23.1	48	10090	62.5	11.7	22	42
CCEL502B	19.6	14.4	11.3	9.2	2	580	22.3	48	9741	93.7	17.5	28	42
CCEL502C	23.3	17.3	13.6	11.0	2	580	21.6	48	9438	124.9	23.4	28	42
CCEL503B	29.0	21.6	16.6	13.4	3	870	27.4	50	14600	139.8	25.4	28	42
CCEL503C	33.1	25.0	18.9	15.0	3	870	26.5	50	14140	186.3	33.9	28	42
CCEL504B	36.4	27.6	20.6	16.2	4	1160	31.6	51	19450	185.8	33.3	28	54
CCEL504C	46.5	34.5	27.1	22.0	4	1160	30.6	51	18840	247.7	44.3	28	54

Model	Nominal capacities HFC DX				Draw-through AC fans 400/50/3							Connections	
	DT1 +2/-8 °C kW	SC2 kW	SC3 kW	SC4 kW	fan power nr. W	air throw m	sound pressure dB(A)	air flow m ³ /h	coil surface m ²	Int. volume dm ³	in mm	out mm	
Fin spacing 10 mm, fan speed H													
CCEH501A	7.5	5.5	4.3	3.5	1	720	25.0	55	7798	22.9	6.5	16	35
CCEH501B	10.4	7.6	5.9	4.8	1	720	24.4	55	7585	34.3	9.7	22	35
CCEH501C	12.9	9.5	7.4	6.0	1	720	23.7	55	7386	45.8	13.0	22	42
CCEH502A	15.0	11.0	8.5	6.9	2	1440	35.7	58	15570	45.0	11.7	22	42
CCEH502B	20.8	15.2	11.8	9.6	2	1440	34.6	58	15130	67.5	17.5	28	42
CCEH502C	25.6	18.9	14.7	11.9	2	1440	33.7	58	14720	90.0	23.4	28	42
CCEH503B	30.5	22.7	17.4	13.9	3	2160	42.5	60	22670	100.7	25.4	28	42
CCEH503C	35.9	27.1	20.3	15.9	3	2160	41.4	60	22060	134.2	33.9	28	42
CCEH504B	38.2	28.9	21.4	16.8	4	2880	49.1	61	30220	133.8	33.3	28	54
CCEH504C	51.0	37.7	29.3	23.6	4	2880	47.8	61	29390	178.5	44.3	28	54
Fin spacing 10 mm, fan speed L													
CCEL501A	6.0	4.4	3.4	2.8	1	290	16.5	45	5151	22.9	6.5	16	35
CCEL501B	8.1	5.9	4.6	3.8	1	290	16.1	45	5002	34.3	9.7	22	35
CCEL501C	10.0	7.3	5.8	4.7	1	290	15.7	45	4875	45.8	13.0	22	42
CCEL502A	11.9	8.7	6.8	5.5	2	580	23.5	48	10280	45.0	11.7	22	42
CCEL502B	16.2	11.9	9.3	7.6	2	580	22.8	48	9977	67.5	17.5	28	42
CCEL502C	19.9	14.7	11.6	9.4	2	580	22.3	48	9718	90.0	23.4	28	42
CCEL503B	24.3	18.0	14.0	11.3	3	870	28.0	50	14950	100.7	25.4	28	42
CCEL503C	28.8	21.6	16.6	13.2	3	870	27.3	50	14560	134.2	33.9	28	42
CCEL504B	31.2	23.4	17.8	14.1	4	1160	32.4	51	19930	133.8	33.3	28	54
CCEL504C	39.7	29.3	23.1	18.8	4	1160	31.6	51	19400	178.5	44.3	28	54

Model	Nominal capacities		Draw-through AC fans 230/50/1							Connections	
	DT1 +2/-8 °C kW	SC2 kW	nr.	fan power W	air throw m	sound pressure dB(A)	air flow m ³ /h	coil surface m ²	Int. volume dm ³	in mm	out mm
Fin spacing 4 mm. fan speed H											
CCXH251A	2.2	1.7	1	118	8.0	54	1275	8.6	1.1	8	10
CCXH251B	3.0	2.3	1	118	7.7	54	1230	12.9	1.6	12	12
CCXH251C	3.5	2.7	1	118	7.4	54	1188	17.1	2.2	12	12
CCXH252A	4.3	3.3	2	236	11.5	57	2532	16.2	1.9	12	12
CCXH252B	5.7	4.5	2	236	11.0	57	2434	24.3	2.8	12	12
CCXH252C	6.8	5.3	2	236	10.6	57	2343	32.5	3.7	12	12
CCXH253A	6.5	5.0	3	354	14.2	59	3787	23.9	2.6	12	12
CCXH253B	8.6	6.7	3	354	13.6	59	3638	35.8	3.9	12	12
CCXH253C	10.3	8.0	3	354	13.1	59	3497	47.8	5.2	16	12
CCXH254A	8.4	6.5	4	472	16.4	60	5043	31.5	3.4	12	12
CCXH254B	11.1	8.7	4	472	15.7	60	4841	47.3	5.1	12	12
CCXH351A	4.0	3.1	1	184	13.4	49	2716	13.7	1.7	12	12
CCXH351B	5.4	4.2	1	184	12.7	49	2567	20.6	2.6	12	12
CCXH351C	6.5	5.1	1	184	12.0	49	2431	27.4	3.5	12	12
CCXH352A	7.8	6.1	2	368	19.2	52	5371	26.0	3.0	12	12
CCXH352B	10.5	8.2	2	368	18.1	52	5051	38.9	4.4	16	12
CCXH352C	12.6	9.8	2	368	17.1	52	4762	51.9	5.9	16	12
CCXH353A	11.7	9.1	3	552	23.7	54	8023	38.2	4.2	16	14
CCXH353B	15.5	12.1	3	552	22.2	54	7531	57.3	6.3	16	14
CCXH353C	18.8	14.7	3	552	20.9	54	7089	76.4	8.4	22	14
CCXH354A	15.4	11.9	4	736	27.4	55	10670	50.5	5.4	16	14
CCXH354B	20.9	16.3	4	736	25.7	55	10010	75.7	8.1	22	14
Fin spacing 4 mm. fan speed L											
CCXL251A	1.7	1.3	1	45	4.7	34	757.7	8.6	1.1	8	10
CCXL251B	2.2	1.7	1	45	4.6	34	732.7	12.9	1.6	12	12
CCXL251C	2.6	2.0	1	45	4.4	34	710.2	17.1	2.2	12	12
CCXL252A	3.3	2.6	2	90	6.8	37	1505	16.2	1.9	12	12
CCXL252B	4.3	3.4	2	90	6.6	37	1452	24.3	2.8	12	12
CCXL252C	5.0	3.9	2	90	6.4	37	1404	32.5	3.7	12	12
CCXL253A	5.0	3.9	3	135	8.4	39	2252	23.9	2.6	12	12
CCXL253B	6.5	5.0	3	135	8.1	39	2170	35.8	3.9	12	12
CCXL253C	7.5	5.8	3	135	7.8	39	2096	47.8	5.2	16	12
CCXL254A	6.6	5.1	4	180	9.7	40	2999	31.5	3.4	12	12
CCXL254B	8.5	6.6	4	180	9.4	40	2888	47.3	5.1	12	12
CCXL351A	3.3	2.6	1	65	8.6	42	1740	13.7	1.7	12	12
CCXL351B	4.3	3.4	1	65	8.0	42	1619	20.6	2.6	12	12
CCXL351C	5.0	3.9	1	65	7.5	42	1516	27.4	3.5	12	12
CCXL352A	6.4	5.0	2	130	12.3	45	3430	26.0	3.0	12	12
CCXL352B	8.4	6.5	2	130	11.4	45	3173	38.9	4.4	16	12
CCXL352C	9.6	7.5	2	130	10.6	45	2959	51.9	5.9	16	12
CCXL353A	9.6	7.5	3	195	15.1	47	5117	38.2	4.2	16	14
CCXL353B	12.3	9.6	3	195	14.0	47	4726	57.3	6.3	16	14
CCXL353C	14.4	11.2	3	195	13.0	47	4400	76.4	8.4	22	14
CCXL354A	12.7	9.8	4	260	17.5	48	6804	50.5	5.4	16	14
CCXL354B	16.5	12.8	4	260	16.1	48	6277	75.7	8.1	22	14

Model	Nominal capacities				Draw-through AC fans 230/50/1							Connections	
	DT1 +2/-8 °C kW	SC2 kW	SC3 kW	SC4 kW	nr.	fan power W	air throw m	sound pressure dB(A)	air flow m ³ /h	coil surface m ²	Int. volume dm ³	in mm	out mm
CCX													
Fin spacing 7 mm, fan speed H													
CCXH251A	1.6	1.3	0.9	0.7	1	118	8.2	54	1307	5.2	1.1	8	10
CCXH251B	2.3	1.8	1.3	1.1	1	118	7.9	54	1273	7.7	1.6	12	12
CCXH251C	2.7	2.1	1.6	1.3	1	118	7.7	54	1242	10.3	2.2	12	12
CCXH252A	3.1	2.4	1.8	1.5	2	236	11.8	57	2600	9.8	1.9	12	12
CCXH252B	4.3	3.4	2.5	2.0	2	236	11.5	57	2526	14.7	2.8	12	12
CCXH252C	5.3	4.2	3.0	2.5	2	236	11.2	57	2459	19.5	3.7	12	12
CCXH253A	4.7	3.7	2.7	2.2	3	354	14.5	59	3891	14.4	2.6	12	12
CCXH253B	6.5	5.0	3.7	3.0	3	354	14.1	59	3779	21.6	3.9	12	12
CCXH253C	8.0	6.3	4.6	3.8	3	354	13.7	59	3676	28.7	5.2	16	12
CCXH254A	6.2	4.8	3.5	2.9	4	472	16.9	60	5183	19.0	3.4	12	12
CCXH254B	8.4	6.6	4.8	3.9	4	472	16.4	60	5031	28.5	5.1	12	12
CCXH351A	3.0	2.3	1.7	1.4	1	184	13.9	49	2813	8.3	1.7	12	12
CCXH351B	4.2	3.2	2.4	2.0	1	184	13.3	49	2702	12.4	2.6	12	12
CCXH351C	5.1	4.0	2.9	2.4	1	184	12.8	49	2599	16.5	3.5	12	12
CCXH352A	5.8	4.5	3.3	2.7	2	368	20.0	52	5580	15.6	3	12	12
CCXH352B	8.1	6.3	4.6	3.8	2	368	19.1	52	5340	23.4	4.4	16	12
CCXH352C	9.9	7.8	5.7	4.7	2	368	18.3	52	5118	31.3	5.9	16	12
CCXH353A	8.7	6.8	4.9	4.1	3	552	24.6	54	8344	23.0	4.2	16	14
CCXH353B	11.9	9.3	6.8	5.6	3	552	23.6	54	7975	34.5	6.3	16	14
CCXH353C	14.8	11.6	8.4	7.0	3	552	22.5	54	7633	46.0	8.4	22	14
CCXH354A	11.4	8.9	6.5	5.4	4	736	28.6	55	11110	30.4	5.4	16	14
CCXH354B	15.9	12.5	9.1	7.5	4	736	27.3	55	10610	45.6	8.1	22	14
Fin spacing 7 mm, fan speed L													
CCXL251A	1.2	1.0	0.7	0.6	1	45	4.8	34	777	5.2	1.1	8	10
CCXL251B	1.7	1.3	0.9	0.8	1	45	4.7	34	758	7.7	1.6	12	12
CCXL251C	2.0	1.6	1.1	0.9	1	45	4.6	34	741	10.3	2.2	12	12
CCXL252A	2.4	1.9	1.4	1.1	2	90	7.0	37	1546	9.8	1.9	12	12
CCXL252B	3.2	2.5	1.8	1.5	2	90	6.8	37	1506	14.7	2.8	12	12
CCXL252C	3.9	3.1	2.2	1.8	2	90	6.7	37	1470	19.5	3.7	12	12
CCXL253A	3.6	2.8	2.0	1.7	3	135	8.6	39	2315	14.4	2.6	12	12
CCXL253B	4.8	3.8	2.7	2.3	3	135	8.4	39	2253	21.6	3.9	12	12
CCXL253C	5.9	4.6	3.3	2.8	3	135	8.2	39	2198	28.7	5.2	16	12
CCXL254A	4.7	3.7	2.7	2.2	4	180	10.0	40	3084	19.0	3.4	12	12
CCXL254B	6.4	5.0	3.6	3.0	4	180	9.8	40	3000	28.5	5.1	12	12
CCXL351A	2.4	1.9	1.4	1.1	1	65	9.0	42	1828	8.3	1.7	12	12
CCXL351B	3.3	2.6	1.9	1.5	1	65	8.6	42	1737	12.4	2.6	12	12
CCXL351C	4.0	3.1	2.3	1.9	1	65	8.2	42	1654	16.5	3.5	12	12
CCXL352A	4.7	3.7	2.7	2.2	2	130	13.0	45	3618	15.6	3	12	12
CCXL352B	6.4	5.0	3.6	3.0	2	130	12.3	45	3421	23.4	4.4	16	12
CCXL352C	7.7	6.0	4.4	3.6	2	130	11.6	45	3246	31.3	5.9	16	12
CCXL353A	7.0	5.5	4.0	3.3	3	195	16.0	47	5405	23.0	4.2	16	14
CCXL353B	9.5	7.4	5.4	4.4	3	195	15.1	47	5103	34.5	6.3	16	14
CCXL353C	11.5	8.9	6.5	5.4	3	195	14.3	47	4835	46.0	8.4	22	14
CCXL354A	9.3	7.2	5.3	4.3	4	260	18.5	48	7192	30.4	5.4	16	14
CCXL354B	12.6	9.8	7.1	5.9	4	260	17.4	48	6784	45.6	8.1	22	14

Model	Nominal capacities		Draw-through AC fans 230-400/50/3							Connections	
	DT1 +2/-8 °C	SC2	fan power nr.	air throw W	sound pressure dB(A)	air flow m ³ /h	coil surface m ²	Int. volume dm ³	in mm	out mm	
CCX	kW	kW									
Fin spacing 4 mm, fan speed H											
CCXH251A	2.2	1.7	1	100	8.3	58	1325	8.6	1.1	8	10
CCXH251B	3.1	2.4	1	100	8.0	58	1282	12.9	1.6	12	12
CCXH251C	3.6	2.8	1	100	7.8	58	1244	17.1	2.2	12	12
CCXH252A	4.3	3.4	2	200	11.9	61	2632	16.2	1.9	12	12
CCXH252B	5.8	4.6	2	200	11.5	61	2541	24.3	2.8	12	12
CCXH252C	7.0	5.5	2	200	11.1	61	2458	32.5	3.7	12	12
CCXH253A	6.6	5.1	3	300	14.7	63	3939	23.9	2.6	12	12
CCXH253B	8.8	6.8	3	300	14.2	63	3799	35.8	3.9	12	12
CCXH253C	10.6	8.2	3	300	13.7	63	3671	47.8	5.2	16	12
CCXH254A	8.5	6.7	4	400	17.1	64	5245	31.5	3.4	12	12
CCXH254B	11.3	8.8	4	400	16.4	64	5057	47.3	5.1	12	12
CCXH351A	3.9	3.1	1	170	12.6	48	2560	13.7	1.7	12	12
CCXH351B	5.3	4.1	1	170	11.9	48	2423	20.6	2.6	12	12
CCXH351C	6.3	4.9	1	170	11.3	48	2298	27.4	3.5	12	12
CCXH352A	7.6	5.9	2	340	18.1	51	5063	26.0	3.0	12	12
CCXH352B	10.3	8.0	2	340	17.1	51	4771	38.9	4.4	16	12
CCXH352C	12.2	9.5	2	340	16.1	51	4503	51.9	5.9	16	12
CCXH353A	11.4	8.9	3	510	22.3	53	7563	38.2	4.2	16	14
CCXH353B	15.1	11.8	3	510	21.0	53	7116	57.3	6.3	16	14
CCXH353C	18.3	14.2	3	510	19.8	53	6703	76.4	8.4	22	14
CCXH354A	15.0	11.7	4	680	25.9	54	10060	50.5	5.4	16	14
CCXH354B	20.3	15.8	4	680	24.3	54	9459	75.7	8.1	22	14

Model	Nominal capacities		Draw-through AC fans 230-400/50/3							Connections	
	DT1 +2/-8 °C kW	SC2 kW	fan power nr.	air throw W	air throw m	sound pressure dB(A)	air flow m ³ /h	coil surface m ²	Int. volume dm ³	in mm	out mm
CCX											
Fin spacing 4 mm. fan speed H											
CCXH401A	5.2	4.0	1	280	16.6	53	3777	17.4	2.1	12	10
CCXH401B	7.0	5.5	1	280	15.5	53	3529	26.0	3.2	12	10
CCXH401C	8.0	6.3	1	280	14.5	53	3308	34.7	4.3	12	12
CCXH402A	10.2	8.0	2	560	23.6	56	7510	33.9	3.8	12	12
CCXH402B	13.8	10.8	2	560	22.0	56	6999	50.8	5.7	16	14
CCXH402C	16.6	12.9	2	560	20.5	56	6548	67.8	7.6	16	14
CCXH403A	15.2	11.9	3	840	28.9	58	11240	50.4	5.5	16	16
CCXH403B	20.6	16.1	3	840	26.9	58	10470	75.6	8.2	16	16
CCXH403C	23.6	18.6	3	840	25.2	58	9786	100.8	10.9	16	16
CCXH404A	20.6	16.0	4	1120	33.4	59	14980	67.0	7.1	16	16
CCXH404B	26.1	20.5	4	1120	31.1	59	13940	100.4	10.7	16	16
CCXH404C	31.5	24.7	4	1120	29.1	59	13020	133.9	14.3	22	16
CCXH501A	9.9	7.8	1	720	23.9	55	7448	32.3	3.8	12	12
CCXH501B	13.6	10.6	1	720	22.8	55	7099	48.5	5.7	16	12
CCXH501C	16.5	12.9	1	720	21.8	55	6784	64.7	7.6	16	12
CCXH502A	18.7	14.7	2	1440	34.0	58	14850	63.6	6.9	16	16
CCXH502B	24.9	19.7	2	1440	32.4	58	14140	95.3	10.4	16	16
CCXH502C	31.4	24.7	2	1440	30.9	58	13500	127.1	13.8	22	16
CCXH503A	29.5	23.0	3	2160	41.7	60	22260	94.8	10.1	22	16
CCXH503B	37.3	29.4	3	2160	39.7	60	21180	142.2	15.1	22	16
CCXH503C	45.7	36.1	3	2160	37.9	60	20210	189.6	20.1	22	18
CCXH504A	37.2	29.3	4	2880	48.2	61	29660	126.0	13.2	22	18
CCXH504B	51.3	40.3	4	2880	45.9	61	28220	189.0	19.8	22	22
Fin spacing 4 mm. fan speed L											
CCXL401A	4.2	3.3	1	120	10.1	43	2296	17.4	2.1	12	10
CCXL401B	5.5	4.3	1	120	9.4	43	2135	26.0	3.2	12	10
CCXL401C	6.2	4.8	1	120	8.7	43	1995	34.7	4.3	12	12
CCXL402A	8.3	6.5	2	240	14.3	46	4563	33.9	3.8	12	12
CCXL402B	10.9	8.5	2	240	13.3	46	4233	50.8	5.7	16	14
CCXL402C	12.6	9.8	2	240	12.4	46	3947	67.8	7.6	16	14
CCXL403A	12.4	9.7	3	360	17.6	48	6829	50.4	5.5	16	16
CCXL403B	16.2	12.6	3	360	16.3	48	6330	75.6	8.2	16	16
CCXL403C	18.2	14.3	3	360	15.2	48	5899	100.8	10.9	16	16
CCXL404A	16.7	13.0	4	480	20.3	49	9096	67.0	7.1	16	16
CCXL404B	20.8	16.3	4	480	18.8	49	8427	100.4	10.7	16	16
CCXL404C	24.3	19.0	4	480	17.5	49	7851	133.9	14.3	22	16
CCXL501A	8.4	6.5	1	290	15.7	45	4881	32.3	3.8	12	12
CCXL501B	11.2	8.7	1	290	15.0	45	4657	48.5	5.7	16	12
CCXL501C	13.2	10.3	1	290	14.3	45	4448	64.7	7.6	16	12
CCXL502A	16.0	12.5	2	580	22.3	48	9733	63.6	6.9	16	16
CCXL502B	20.9	16.4	2	580	21.2	48	9276	95.3	10.4	16	16
CCXL502C	25.5	20.0	2	580	20.3	48	8848	127.1	13.8	22	16
CCXL503A	24.9	19.4	3	870	27.4	50	14590	94.8	10.1	22	16
CCXL503B	31.3	24.6	3	870	26.1	50	13890	142.2	15.1	22	16
CCXL503C	37.4	29.4	3	870	24.8	50	13250	189.6	20.1	22	18
CCXL504A	31.8	24.9	4	1160	31.6	51	19440	126.0	13.2	22	18
CCXL504B	42.7	33.4	4	1160	30.1	51	18510	189.0	19.8	22	22

Model	Nominal capacities				Draw-through AC fans 230-400/50/3							Connections	
	DT1 +2/-8 °C kW	SC2 kW	SC3 kW	SC4 kW	fan power nr. W	air throw m	sound pressure dB(A)	air flow m ³ /h	coil surface m ²	Int. volume dm ³	in mm	out mm	
CCX													
Fin spacing 7 mm, fan speed H													
CCXH251A	1.6	1.3	0.9	0.8	1	100	8.5	58	1356	5.2	1.1	8	10
CCXH251B	2.3	1.8	1.3	1.1	1	100	8.2	58	1323	7.7	1.6	12	12
CCXH251C	2.8	2.2	1.6	1.3	1	100	8.1	58	1293	10.3	2.2	12	12
CCXH252A	3.2	2.5	1.8	1.5	2	200	12.2	61	2697	9.8	1.9	12	12
CCXH252B	4.4	3.5	2.5	2.1	2	200	11.9	61	2626	14.7	2.8	12	12
CCXH252C	5.5	4.3	3.1	2.6	2	200	11.6	61	2564	19.5	3.7	12	12
CCXH253A	4.8	3.7	2.7	2.2	3	300	15.1	63	4038	14.4	2.6	12	12
CCXH253B	6.6	5.2	3.8	3.1	3	300	14.7	63	3930	21.6	3.9	12	12
CCXH253C	8.2	6.4	4.7	3.9	3	300	14.3	63	3833	28.7	5.2	16	12
CCXH254A	6.3	4.9	3.6	2.9	4	400	17.5	64	5379	19.0	3.4	12	12
CCXH254B	8.6	6.7	4.9	4.0	4	400	17.0	64	5232	28.5	5.1	12	12
CCXH351A	2.9	2.3	1.7	1.4	1	170	13.1	48	2656	8.3	1.7	12	12
CCXH351B	4.0	3.2	2.3	1.9	1	170	12.6	48	2548	12.4	2.6	12	12
CCXH351C	5.0	3.9	2.8	2.3	1	170	12.1	48	2454	16.5	3.5	12	12
CCXH352A	5.6	4.4	3.2	2.6	2	340	18.9	51	5264	15.6	3.0	12	12
CCXH352B	7.8	6.1	4.5	3.7	2	340	18.1	51	5037	23.4	4.4	16	12
CCXH352C	9.6	7.5	5.5	4.5	2	340	17.3	51	4835	31.3	5.9	16	12
CCXH353A	8.4	6.6	4.8	4.0	3	510	23.3	53	7871	23.0	4.2	16	14
CCXH353B	11.6	9.0	6.6	5.4	3	510	22.2	53	7523	34.5	6.3	16	14
CCXH353C	14.4	11.2	8.2	6.8	3	510	21.3	53	7213	46.0	8.4	22	14
CCXH354A	11.1	8.7	6.3	5.2	4	680	26.9	54	10480	30.4	5.4	16	14
CCXH354B	15.5	12.1	8.8	7.3	4	680	25.7	54	10010	45.6	8.1	22	14

Model	Nominal capacities				Draw-through AC fans 230-400/50/3							Connections	
	DT1 +2/-8 °C kW	SC2 kW	SC3 kW	SC4 kW	fan power nr.	air throw W	sound pressure dB(A)	air flow m ³ /h	coil surface m ²	Int. volume dm ³	in mm	out mm	
CCX													
Fin spacing 7 mm, fan speed H													
CCXH401A	3.9	3.1	2.2	1.8	1	280	17.3	53	3942	10.5	2.1	12	10
CCXH401B	5.4	4.2	3.1	2.5	1	280	16.4	53	3751	15.7	3.2	12	10
CCXH401C	6.5	5.1	3.7	3.0	1	280	15.7	53	3579	20.9	4.3	12	12
CCXH402A	7.7	6.0	4.4	3.6	2	560	24.6	56	7849	20.4	3.8	12	12
CCXH402B	10.7	8.4	6.1	5.0	2	560	23.4	56	7456	30.6	5.7	16	14
CCXH402C	13.2	10.4	7.5	6.2	2	560	22.3	56	7100	40.8	7.6	16	14
CCXH403A	11.5	9.0	6.6	5.4	3	840	30.2	58	11760	30.4	5.5	16	16
CCXH403B	16.0	12.5	9.1	7.5	3	840	28.7	58	11160	45.5	8.2	16	16
CCXH403C	19.2	15.1	10.9	8.9	3	840	27.3	58	10620	60.7	10.9	16	16
CCXH404A	15.4	12.1	8.8	7.2	4	1120	34.9	59	15660	40.3	7.1	16	16
CCXH404B	20.6	16.2	11.7	9.5	4	1120	33.2	59	14860	60.5	10.7	16	16
CCXH404C	25.5	20.1	14.5	11.9	4	1120	31.6	59	14140	80.6	14.3	22	16
CCXH501A	7.4	5.8	4.3	3.5	1	720	24.6	55	7674	19.5	3.8	12	12
CCXH501B	10.4	8.2	6.0	4.9	1	720	23.8	55	7409	29.2	5.7	16	12
CCXH501C	13.0	10.2	7.4	6.1	1	720	23.0	55	7165	38.9	7.6	16	12
CCXH502A	14.3	11.2	8.1	6.6	2	1440	35.1	58	15310	38.3	6.9	16	16
CCXH502B	19.7	15.5	11.2	9.1	2	1440	33.8	58	14770	57.4	10.4	16	16
CCXH502C	25.1	19.7	14.3	11.7	2	1440	32.7	58	14270	76.5	13.8	22	16
CCXH503A	22.1	17.3	12.6	10.4	3	2160	43.0	60	22950	57.1	10.1	22	16
CCXH503B	29.5	23.2	16.7	13.6	3	2160	41.5	60	22130	85.6	15.1	22	16
CCXH503C	36.9	29.1	20.9	17.1	3	2160	40.1	60	21380	114.1	20.1	22	18
CCXH504A	28.5	22.4	16.2	13.2	4	2880	49.8	61	30590	75.8	13.2	22	18
CCXH504B	40.1	31.5	22.8	18.7	4	2880	48.0	61	29490	113.8	19.8	22	22
Fin spacing 7 mm, fan speed L													
CCXL401A	3.1	2.4	1.8	1.4	1	120	10.6	43	2410	10.5	2.1	12	10
CCXL401B	4.2	3.3	2.4	2.0	1	120	10.0	43	2290	15.7	3.2	12	10
CCXL401C	5.0	3.9	2.8	2.3	1	120	9.6	43	2181	20.9	4.3	12	12
CCXL402A	6.1	4.8	3.5	2.9	2	240	15.0	46	4797	20.4	3.8	12	12
CCXL402B	8.3	6.5	4.7	3.9	2	240	14.3	46	4551	30.6	5.7	16	14
CCXL402C	10.1	7.9	5.7	4.7	2	240	13.6	46	4326	40.8	7.6	16	14
CCXL403A	9.2	7.1	5.2	4.3	3	360	18.5	48	7185	30.4	5.5	16	16
CCXL403B	12.5	9.7	7.1	5.8	3	360	17.5	48	6811	45.5	8.2	16	16
CCXL403C	14.8	11.6	8.4	6.9	3	360	16.6	48	6470	60.7	10.9	16	16
CCXL404A	12.3	9.5	6.9	5.7	4	480	21.4	49	9572	40.3	7.1	16	16
CCXL404B	16.2	12.7	9.2	7.5	4	480	20.2	49	9070	60.5	10.7	16	16
CCXL404C	19.7	15.4	11.1	9.1	4	480	19.2	49	8615	80.6	14.3	22	16
CCXL501A	6.1	4.8	3.5	2.9	1	290	16.2	45	5045	19.5	3.8	12	12
CCXL501B	8.5	6.6	4.8	4.0	1	290	15.6	45	4869	29.2	5.7	16	12
CCXL501C	10.4	8.1	5.9	4.9	1	290	15.1	45	4716	38.9	7.6	16	12
CCXL502A	11.9	9.3	6.7	5.5	2	580	23.1	48	10070	38.3	6.9	16	16
CCXL502B	16.2	12.7	9.2	7.5	2	580	22.2	48	9708	57.4	10.4	16	16
CCXL502C	20.3	15.9	11.5	9.5	2	580	21.5	48	9395	76.5	13.8	22	16
CCXL503A	18.2	14.2	10.4	8.5	3	870	28.3	50	15090	57.1	10.1	22	16
CCXL503B	24.3	19.1	13.8	11.2	3	870	27.3	50	14550	85.6	15.1	22	16
CCXL503C	30.0	23.5	17.0	13.9	3	870	26.4	50	14070	114.1	20.1	22	18
CCXL504A	23.7	18.6	13.4	11.0	4	1160	32.7	51	20110	75.8	13.2	22	18
CCXL504B	32.8	25.7	18.6	15.3	4	1160	31.5	51	19390	113.8	19.8	22	22

Model	Nominal capacities HFC DX			Blow-through AC fans 230/50/1							Connections	
	DT1 +2/-8 °C	SC1	SC2	nr.	fan power W	air throw m	sound pressure dB(A)	air flow m ³ /h	coil surface m ²	Int. volume dm ³	in mm	out mm
CCBE	kW	kW	kW									
Fin spacing 4 mm, fan speed H												
CCBEH251A	2.6	2.9	1.9	1	134	7.7	58	1165	7.5	1.7	12	14
CCBEH251B	3.2	3.6	2.4	1	134	7.3	58	1111	11.3	2.5	12	16
CCBEH251C	3.6	4.0	2.7	1	134	7.0	58	1061	15.0	3.4	12	16
CCBEH252A	5.2	5.7	3.9	2	268	10.9	61	2329	15.0	3.0	12	16
CCBEH252B	6.3	7.0	4.8	2	268	10.4	61	2221	22.5	4.5	16	18
CCBEH252C	7.3	7.9	5.4	2	268	9.9	61	2122	30.0	6.0	16	18
CCBEH253A	7.5	8.4	5.6	3	402	13.3	63	3494	22.5	4.3	16	18
CCBEH253B	9.8	10.7	7.3	3	402	12.7	63	3332	33.8	6.5	16	22
CCBEH253C	10.7	11.8	8.0	3	402	12.2	63	3183	45.1	8.7	16	22
CCBEH254A	10.6	11.6	7.8	4	536	15.4	64	4659	30.0	5.6	16	22
CCBEH254B	12.6	14.1	9.5	4	536	14.7	64	4443	45.1	8.5	16	22
CCBEH301A	3.6	4.0	2.7	1	162	10.5	64	1732	9.0	2.0	12	16
CCBEH301B	4.5	4.9	3.3	1	162	9.9	64	1632	13.5	3.1	12	16
CCBEH301C	5.1	5.5	3.8	1	162	9.3	64	1542	18.0	4.1	16	18
CCBEH302A	7.2	7.9	5.4	2	324	14.8	67	3463	18.0	3.6	16	18
CCBEH302B	8.6	9.6	6.5	2	324	14.0	67	3264	27.0	5.4	16	18
CCBEH302C	10.1	11.0	7.5	2	324	13.2	67	3085	36.0	7.2	22	28
CCBEH303A	10.9	11.9	8.0	3	486	18.1	69	5195	27.0	5.2	22	28
CCBEH303B	13.5	14.8	10.1	3	486	17.1	69	4896	40.5	7.8	22	28
CCBEH303C	14.6	16.3	11.0	3	486	16.2	69	4627	54.1	10.4	22	28
CCBEH304A	14.4	15.9	10.7	4	648	20.9	70	6926	36.0	6.8	22	28
CCBEH304B	17.1	19.3	13.0	4	648	19.7	70	6528	54.1	10.2	22	28
CCBEH351A	5.1	5.7	3.8	1	180	11.3	49	2362	14.4	3.1	12	16
CCBEH351B	6.4	7.1	4.8	1	180	10.6	49	2225	21.6	4.7	16	18
CCBEH351C	7.1	7.8	5.3	1	180	10.1	49	2106	28.8	6.3	16	22
CCBEH352A	10.3	11.4	7.7	2	360	15.9	52	4725	28.8	5.7	16	22
CCBEH352B	11.9	13.5	9.0	2	360	15.0	52	4451	43.3	8.5	16	22
CCBEH352C	14.3	15.6	10.7	2	360	14.2	52	4212	57.7	11.3	22	28
CCBEH353A	15.8	17.3	11.7	3	540	19.5	54	7087	43.3	8.2	22	28
CCBEH353B	19.0	21.1	14.3	3	540	18.4	54	6676	64.9	12.3	22	28
CCBEH353C	20.3	22.8	15.4	3	540	17.4	54	6318	86.5	16.4	22	28
CCBEH354A	20.6	22.9	15.4	4	720	22.6	55	9449	57.7	10.7	22	28
CCBEH354B	23.8	27.1	18.1	4	720	21.3	55	8902	86.5	16.1	22	28

Model	Nominal capacities HFC DX			Blow-through AC fans 230/50/1							Connections	
	DT1 +2/-8 °C	SC1	SC2	fan power nr.	air throw W	sound pressure dB(A)	air flow m ³ /h	coil surface m ²	Int. volume dm ³	in mm	out mm	
CCBE	kW	kW	kW									
Fin spacing 4 mm, fan speed L												
CCBEL251A	1.8	1.9	1.3	1	45	4.2	43	642	7.5	1.7	12	14
CCBEL251B	2.1	2.3	1.6	1	45	4.0	43	613	11.3	2.5	12	16
CCBEL251C	2.3	2.5	1.7	1	45	3.9	43	587	15.0	3.4	12	16
CCBEL252A	3.5	3.9	2.6	2	90	6.0	46	1284	15.0	3.0	12	16
CCBEL252B	4.2	4.6	3.1	2	90	5.7	46	1226	22.5	4.5	16	18
CCBEL252C	4.6	4.9	3.4	2	90	5.5	46	1174	30.0	6.0	16	18
CCBEL253A	5.2	5.8	3.9	3	135	7.3	48	1926	22.5	4.3	16	18
CCBEL253B	6.4	6.9	4.7	3	135	7.0	48	1839	33.8	6.5	16	22
CCBEL253C	6.8	7.4	5.1	3	135	6.7	48	1761	45.1	8.7	16	22
CCBEL254A	7.1	7.8	5.3	4	180	8.5	49	2568	30.0	5.6	16	22
CCBEL254B	8.4	9.2	6.3	4	180	8.1	49	2453	45.1	8.5	16	22
CCBEL301A	2.9	3.2	2.1	1	72	7.2	42	1201	9.0	2.0	12	16
CCBEL301B	3.5	3.8	2.6	1	72	6.7	42	1120	13.5	3.1	12	16
CCBEL301C	3.8	4.1	2.8	1	72	6.3	42	1052	18.0	4.1	16	18
CCBEL302A	5.8	6.3	4.3	2	144	10.2	45	2403	18.0	3.6	16	18
CCBEL302B	6.8	7.5	5.1	2	144	9.5	45	2240	27.0	5.4	16	18
CCBEL302C	7.6	8.2	5.6	2	144	9.0	45	2104	36.0	7.2	22	28
CCBEL303A	8.6	9.4	6.4	3	216	12.5	47	3604	27.0	5.2	22	28
CCBEL303B	10.4	11.4	7.8	3	216	11.7	47	3360	40.5	7.8	22	28
CCBEL303C	11.2	12.3	8.4	3	216	11.0	47	3157	54.1	10.4	22	28
CCBEL304A	11.5	12.6	8.6	4	288	14.5	48	4806	36.0	6.8	22	28
CCBEL304B	13.5	15.0	10.2	4	288	13.5	48	4480	54.1	10.2	22	28
CCBEL351A	3.9	4.3	2.9	1	74	7.2	38	1509	14.4	3.1	12	16
CCBEL351B	4.7	5.1	3.5	1	74	6.7	38	1412	21.6	4.7	16	18
CCBEL351C	5.0	5.5	3.7	1	74	6.3	38	1329	28.83	6.3	16	22
CCBEL352A	7.8	8.6	5.8	2	148	10.2	41	3017	28.8	5.7	16	22
CCBEL352B	9.0	10.0	6.8	2	148	9.5	41	2824	43.3	8.5	16	22
CCBEL352C	10.0	10.9	7.5	2	148	9.0	41	2658	57.7	11.3	22	28
CCBEL353A	11.8	12.8	8.7	3	222	12.4	43	4526	43.3	8.2	22	28
CCBEL353B	13.9	15.2	10.4	3	222	11.7	43	4236	64.9	12.3	22	28
CCBEL353C	14.6	16.1	11.0	3	222	11.0	43	3987	86.5	16.4	22	28
CCBEL354A	15.6	17.2	11.6	4	296	14.4	44	6034	57.7	10.7	22	28
CCBEL354B	17.9	19.9	13.5	4	296	13.5	44	5648	86.5	16.1	22	28

Model	Nominal capacities HFC DX				Blow-through AC fans 230/50/1							Connections	
	DT1 +2/-8 °C	SC2	SC3	SC4	fan power nr.	air throw W	sound pressure dB(A)	air flow m ³ /h	coil surface m ²	Int. volume dm ³	in mm	out mm	
CCBE	kW	kW	kW	kW									
Fin spacing 7 mm, fan speed H													
CCBEH251A	2.0	1.5	1.1	0.9	1	134	7.9	58	1199	4.6	1.7	12	14
CCBEH251B	2.6	1.9	1.5	1.2	1	134	7.6	58	1158	6.8	2.5	12	16
CCBEH251C	3.0	2.3	1.8	1.5	1	134	7.4	58	1120	9.1	3.4	12	16
CCBEH252A	3.9	2.9	2.3	1.9	2	268	11.2	61	2398	9.1	3.0	12	16
CCBEH252B	5.1	3.8	3.0	2.4	2	268	10.8	61	2317	13.7	4.5	16	18
CCBEH252C	6.1	4.5	3.6	3.0	2	268	10.5	61	2241	18.3	6.0	16	18
CCBEH253A	5.8	4.3	3.4	2.7	3	402	13.7	63	3597	13.7	4.3	16	18
CCBEH253B	7.8	5.8	4.6	3.8	3	402	13.2	63	3475	20.5	6.5	16	22
CCBEH253C	9.1	6.8	5.4	4.4	3	402	12.8	63	3361	27.4	8.7	16	22
CCBEH254A	7.9	5.8	4.6	3.8	4	536	15.8	64	4796	18.3	5.6	16	22
CCBEH254B	10.2	7.6	6.0	4.9	4	536	15.3	64	4633	27.4	8.5	16	22
CCBEH301A	2.7	2.0	1.6	1.3	1	162	10.8	64	1795	5.5	2.0	12	16
CCBEH301B	3.6	2.7	2.1	1.7	1	162	10.4	64	1718	8.2	3.1	12	16
CCBEH301C	4.2	3.1	2.5	2.1	1	162	9.9	64	1647	11.0	4.1	16	18
CCBEH302A	5.5	4.0	3.2	2.6	2	324	15.3	67	3589	11.0	3.6	16	18
CCBEH302B	7.0	5.3	4.1	3.3	2	324	14.6	67	3435	16.4	5.4	16	18
CCBEH302C	8.5	6.3	5.0	4.1	2	324	14.0	67	3295	21.9	7.2	22	28
CCBEH303A	8.2	6.0	4.7	3.9	3	486	18.7	69	5384	16.4	5.2	22	28
CCBEH303B	10.8	8.0	6.3	5.2	3	486	17.9	69	5153	24.7	7.8	22	28
CCBEH303C	12.5	9.4	7.3	5.9	3	486	17.2	69	4942	32.9	10.4	22	28
CCBEH304A	10.9	8.1	6.4	5.2	4	648	21.6	70	7178	21.9	6.8	22	28
CCBEH304B	14.1	10.5	8.2	6.6	4	648	20.7	70	6871	32.9	10.2	22	28
CCBEH351A	3.9	2.9	2.3	1.9	1	180	11.7	49	2454	8.8	3.1	12	16
CCBEH351B	5.2	3.8	3.0	2.5	1	180	11.2	49	2345	13.2	4.7	16	18
CCBEH351C	6.0	4.5	3.6	2.9	1	180	10.7	49	2249	17.5	6.3	16	22
CCBEH352A	7.9	5.8	4.6	3.7	2	360	16.5	52	4907	17.5	5.7	16	22
CCBEH352B	9.9	7.4	5.7	4.6	2	360	15.8	52	4690	26.3	8.5	16	22
CCBEH352C	12.1	9.0	7.2	5.9	2	360	15.2	52	4498	35.1	11.3	22	28
CCBEH353A	11.9	8.8	6.9	5.7	3	540	20.2	54	7361	26.3	8.2	22	28
CCBEH353B	15.4	11.5	9.0	7.4	3	540	19.3	54	7035	39.4	12.3	22	28
CCBEH353C	17.5	13.2	10.3	8.3	3	540	18.6	54	6747	52.6	16.4	22	28
CCBEH354A	15.7	11.7	9.2	7.5	4	720	23.4	55	9814	35.1	10.7	22	28
CCBEH354B	19.8	14.9	11.5	9.2	4	720	22.3	55	9381	52.6	16.1	22	28

Model	Nominal capacities HFC DX				Blow-through AC fans 230/50/1							Connections	
	DT1 +2/-8 °C	SC2	SC3	SC4	fan power nr.	air throw W	sound pressure dB(A)	air flow m ³ /h	coil surface m ²	Int. volume dm ³	in mm	out mm	
CCBE	kW	kW	kW	kW									
Fin spacing 7 mm, fan speed L													
CCBEL251A	1.3	1.5	0.8	0.6	1	134	7.9	58	1199	4.6	1.7	12	14
CCBEL251B	1.7	1.9	1.0	0.8	1	134	7.6	58	1158	6.8	2.5	12	16
CCBEL251C	1.9	2.3	1.2	1.0	1	134	7.4	58	1120	9.1	3.4	12	16
CCBEL252A	2.6	2.9	1.6	1.3	2	268	11.2	61	2398	9.1	3.0	12	16
CCBEL252B	3.4	3.8	2.0	1.7	2	268	10.8	61	2317	13.7	4.5	16	18
CCBEL252C	3.9	4.5	2.4	1.9	2	268	10.5	61	2241	18.3	6	16	18
CCBEL253A	3.9	4.3	2.3	1.9	3	402	13.7	63	3597	13.7	4.3	16	18
CCBEL253B	5.1	5.8	3.0	2.5	3	402	13.2	63	3475	20.5	6.5	16	22
CCBEL253C	5.8	6.8	3.5	2.9	3	402	12.8	63	3361	27.4	8.7	16	22
CCBEL254A	5.3	5.8	3.1	2.6	4	536	15.8	64	4796	18.3	5.6	16	22
CCBEL254B	6.8	7.6	4.0	3.3	4	536	15.3	64	4633	27.4	8.5	16	22
CCBEL301A	2.2	2.0	1.3	1.0	1	162	10.8	64	1795	5.5	2.0	12	16
CCBEL301B	2.8	2.7	1.7	1.4	1	162	10.4	64	1718	8.2	3.1	12	16
CCBEL301C	3.2	3.1	1.9	1.6	1	162	9.9	64	1647	11.0	4.1	16	18
CCBEL302A	4.3	4.0	2.5	2.1	2	324	15.3	67	3589	11.0	3.6	16	18
CCBEL302B	5.5	5.3	3.3	2.6	2	324	14.6	67	3435	16.4	5.4	16	18
CCBEL302C	6.5	6.3	3.9	3.2	2	324	14.0	67	3295	21.9	7.2	22	28
CCBEL303A	6.5	6.0	3.8	3.1	3	486	18.7	69	5384	16.4	5.2	22	28
CCBEL303B	8.4	8.0	5.0	4.1	3	486	17.9	69	5153	24.7	7.8	22	28
CCBEL303C	9.6	9.4	5.7	4.7	3	486	17.2	69	4942	32.9	10.4	22	28
CCBEL304A	8.7	8.1	5.1	4.2	4	648	21.6	70	7178	21.9	6.8	22	28
CCBEL304B	11.1	10.5	6.5	5.3	4	648	20.7	70	6871	32.9	10.2	22	28
CCBEL351A	2.9	2.9	1.7	1.4	1	180	11.7	49	2454	8.8	3.1	12	16
CCBEL351B	3.8	3.8	2.2	1.8	1	180	11.2	49	2345	13.2	4.7	16	18
CCBEL351C	4.3	4.5	2.6	2.1	1	180	10.7	49	2249	17.5	6.3	16	22
CCBEL352A	5.9	5.8	3.5	2.8	2	360	16.5	52	4907	17.5	5.7	16	22
CCBEL352B	7.4	7.4	4.4	3.5	2	360	15.8	52	4690	26.3	8.5	16	22
CCBEL352C	8.6	9.0	5.2	4.3	2	360	15.2	52	4498	35.1	11.3	22	28
CCBEL353A	8.8	8.8	5.2	4.3	3	540	20.2	54	7361	26.3	8.2	22	28
CCBEL353B	11.3	11.5	6.7	5.5	3	540	19.3	54	7035	39.4	12.3	22	28
CCBEL353C	12.8	13.2	7.6	6.2	3	540	18.6	54	6747	52.6	16.4	22	28
CCBEL354A	11.8	11.7	6.9	5.7	4	720	23.4	55	9814	35.1	10.7	22	28
CCBEL354B	14.8	14.9	8.7	7.1	4	720	22.3	55	9381	52.6	16.1	22	28

Model	Nominal capacities HFC DX			Blow-through AC fans 400/50/3							Connections	
	DT1 +2/-8 °C	SC1	SC2	nr.	fan power W	air throw m	sound pressure dB(A)	air flow m ³ /h	coil surface m ²	Int. volume dm ³	in mm	out mm
CCBE	kW	kW	kW									
Fin spacing 4 mm, fan speed H												
CCBEH251A	2.6	2.9	1.9	1	127	7.7	58	1163	7.5	1.7	12	14
CCBEH251B	3.2	3.6	2.4	1	127	7.4	58	1114	11.3	2.5	12	16
CCBEH251C	3.6	4.0	2.7	1	127	7.1	58	1070	15.0	3.4	12	16
CCBEH252A	5.2	5.7	3.9	2	254	10.9	61	2325	15.0	3.0	12	16
CCBEH252B	6.3	7.1	4.8	2	254	10.4	61	2228	22.5	4.5	16	18
CCBEH252C	7.3	8.0	5.5	2	254	10.0	61	2140	30.0	6.0	16	18
CCBEH253A	7.5	8.4	5.6	3	381	13.3	63	3488	22.5	4.3	16	18
CCBEH253B	9.8	10.8	7.3	3	381	12.7	63	3343	33.8	6.5	16	22
CCBEH253C	10.8	11.9	8.1	3	381	12.2	63	3210	45.1	8.7	16	22
CCBEH254A	10.6	11.6	7.8	4	508	15.3	64	4650	30.0	5.6	16	22
CCBEH254B	12.7	14.1	9.5	4	508	14.7	64	4457	45.1	8.5	16	22
CCBEH351A	5.1	5.6	3.8	1	170	11.0	48	2311	14.4	3.1	12	16
CCBEH351B	6.3	7.0	4.7	1	170	10.4	48	2178	21.6	4.7	16	18
CCBEH351C	7.0	7.7	5.3	1	170	9.8	48	2062	28.8	6.3	16	22
CCBEH352A	10.2	11.3	7.6	2	340	15.6	51	4621	28.8	5.7	16	22
CCBEH352B	11.7	13.3	8.9	2	340	14.7	51	4356	43.3	8.5	16	22
CCBEH352C	14.1	15.4	10.5	2	340	13.9	51	4123	57.7	11.3	22	28
CCBEH353A	15.6	17.0	11.5	3	510	19.1	53	6932	43.3	8.2	22	28
CCBEH353B	18.8	20.8	14.1	3	510	18.0	53	6534	64.9	12.3	22	28
CCBEH353C	20.0	22.5	15.2	3	510	17.0	53	6185	86.5	16.4	22	28
CCBEH354A	20.3	22.6	15.2	4	680	22.0	54	9243	57.7	10.7	22	28
CCBEH354B	23.5	26.7	17.9	4	680	20.7	54	8711	86.5	16.1	22	28
Fin spacing 4 mm, fan speed L												
CCBEL301A	2.8	3.1	2.1	1	68	7.0	42	1154	9.0	2.0	12	16
CCBEL301B	3.4	3.7	2.5	1	68	6.5	42	1074	13.5	3.1	12	16
CCBEL301C	3.7	4.0	2.7	1	68	6.1	42	1007	18.0	4.1	16	18
CCBEL302A	5.6	6.1	4.2	2	136	9.8	45	2309	18.0	3.6	16	18
CCBEL302B	6.6	7.3	4.9	2	136	9.1	45	2148	27.0	5.4	16	18
CCBEL302C	7.3	7.9	5.4	2	136	8.6	45	2015	36.0	7.2	22	28
CCBEL303A	8.4	9.1	6.2	3	204	12.0	47	3463	27.0	5.2	22	28
CCBEL303B	10.1	11.0	7.5	3	204	11.2	47	3222	40.5	7.8	22	28
CCBEL303C	10.8	11.9	8.1	3	204	10.5	47	3022	54.1	10.4	22	28
CCBEL304A	11.2	12.3	8.3	4	272	13.9	48	4618	36.0	6.8	22	28
CCBEL304B	13.2	14.6	9.9	4	272	12.9	48	4296	54.1	10.2	22	28

Model	Nominal capacities HFC DX			Blow-through AC fans 400/50/3							Connections	
	DT1 +2/-8 °C	SC1	SC2	nr.	fan power W	air throw m	sound pressure dB(A)	air flow m ³ /h	coil surface m ²	Int. volume dm ³	in mm	out mm
CCBE	kW	kW	kW									
Fin spacing 4 mm, fan speed H												
CCBEH401A	6.5	7.1	4.8	1	229	13.8	55	3070	16.2	3.5	16	18
CCBEH401B	7.8	8.7	5.8	1	229	12.9	55	2873	24.3	5.3	16	18
CCBEH401C	8.8	9.7	6.6	1	229	12.1	55	2699	32.4	7.1	16	22
CCBEH402A	12.6	14.0	9.4	2	458	19.5	58	6139	32.4	6.4	16	22
CCBEH402B	14.4	16.5	11.0	2	458	18.2	58	5746	48.7	9.6	16	22
CCBEH402C	17.7	19.4	13.2	2	458	17.1	58	5399	64.9	12.7	22	35
CCBEH403A	19.4	21.3	14.4	3	687	23.9	60	9209	48.7	9.2	22	28
CCBEH403B	23.3	26.0	17.5	3	687	22.3	60	8619	73.0	13.8	22	28
CCBEH403C	24.8	28.0	18.9	3	687	21.0	60	8098	97.3	18.4	22	28
CCBEH404A	25.2	28.1	18.8	4	916	27.6	61	12280	64.9	12.0	22	28
CCBEH404B	28.8	33.1	22.0	4	916	25.8	61	11490	97.3	18.1	22	28
CCBEH404C	33.1	37.4	25.2	4	916	24.2	61	10800	129.7	24.1	22	35
CCBEH501A	12.7	14.1	9.4	1	720	22.8	55	6963	52.2	6.3	16	35
CCBEH501B	16.4	17.9	12.0	1	720	21.5	55	6589	78.2	9.4	22	35
CCBEH501C	18.6	20.4	13.8	1	720	20.5	55	6261	104.3	12.6	22	42
CCBEH502A	25.4	28.2	18.8	2	1440	32.2	58	13930	104.3	11.5	22	42
CCBEH502B	32.6	35.9	24.1	2	1440	30.4	58	13180	156.5	17.3	28	42
CCBEH502C	36.1	40.4	27.1	2	1440	28.9	58	12520	208.6	23.1	28	42
CCBEH503B	45.0	51.8	34.2	3	2160	37.3	60	19770	234.7	25.1	28	42
CCBEH503C	46.9	55.4	36.3	3	2160	35.4	60	18780	312.9	33.6	28	42
CCBEH504B	52.2	62.7	40.6	4	2880	43.1	61	26360	312.9	33.0	28	54
CCBEH504C	72.3	80.9	54.3	4	2880	40.9	61	25050	417.3	43.9	28	54
Fin spacing 4 mm, fan speed L												
CCBEL501A	9.2	10.0	6.7	1	190	13.0	44	3992	52.2	6.3	16	35
CCBEL501B	11.1	12.0	8.2	1	190	12.2	44	3741	78.2	9.4	22	35
CCBEL501C	12.2	13.2	9.0	1	190	11.5	44	3524	104.3	12.6	22	42
CCBEL502A	18.3	20.1	13.5	2	380	18.4	47	7983	104.3	11.5	22	42
CCBEL502B	22.4	24.3	16.5	2	380	17.3	47	7482	156.5	17.3	28	42
CCBEL502C	24.4	26.6	18.2	2	380	16.3	47	7047	208.6	23.1	28	42
CCBEL503B	32.6	36.3	24.4	3	570	21.2	49	11220	234.7	25.1	28	42
CCBEL503C	34.2	38.6	26.0	3	570	19.9	49	10570	312.9	33.6	28	42
CCBEL504B	40.1	46.2	30.7	4	760	24.4	50	14960	312.9	33.0	28	54
CCBEL504C	48.7	53.3	36.3	4	760	23.0	50	14090	417.3	43.9	28	54

Model	Nominal capacities HFC DX				Blow-through AC fans 400/50/3							Connections	
	DT1 +2/-8 °C	SC2	SC3	SC4	fan power nr.	air throw W	sound pressure dB(A)	air flow m ³ /h	coil surface m ²	Int. volume dm ³	in mm	out mm	
CCBE	kW	kW	kW	kW									
Fin spacing 7 mm, fan speed H													
CCBEH251A	2.0	1.5	1.1	0.9	1	127	7.9	58	1195	4.6	1.7	12	14
CCBEH251B	2.6	1.9	1.5	1.2	1	127	7.6	58	1157	6.8	2.5	12	16
CCBEH251C	3.0	2.3	1.8	1.5	1	127	7.4	58	1123	9.1	3.4	12	16
CCBEH252A	3.9	2.9	2.3	1.9	2	254	11.2	61	2390	9.1	3.0	12	16
CCBEH252B	5.1	3.8	3.0	2.4	2	254	10.8	61	2314	13.7	4.5	16	18
CCBEH252C	6.1	4.5	3.6	3.0	2	254	10.5	61	2246	18.3	6.0	16	18
CCBEH253A	5.8	4.3	3.3	2.7	3	381	13.7	63	3585	13.7	4.3	16	18
CCBEH253B	7.8	5.8	4.6	3.8	3	381	13.2	63	3470	20.5	6.5	16	22
CCBEH253C	9.1	6.8	5.4	4.4	3	381	12.8	63	3369	27.4	8.7	16	22
CCBEH254A	7.9	5.8	4.6	3.8	4	508	15.8	64	4780	18.3	5.6	16	22
CCBEH254B	10.2	7.6	6.0	4.9	4	508	15.3	64	4627	27.4	8.5	16	22
CCBEH351A	3.9	2.9	2.3	1.8	1	170	11.4	48	2400	8.8	3.1	12	16
CCBEH351B	5.1	3.8	3.0	2.4	1	170	10.9	48	2294	13.2	4.7	16	18
CCBEH351C	5.9	4.4	3.5	2.9	1	170	10.5	48	2201	17.5	6.3	16	22
CCBEH352A	7.8	5.8	4.5	3.7	2	340	16.2	51	4800	17.5	5.7	16	22
CCBEH352B	9.7	7.3	5.6	4.5	2	340	15.5	51	4589	26.3	8.5	16	22
CCBEH352C	11.9	8.9	7.1	5.8	2	340	14.8	51	4402	35.1	11.3	22	28
CCBEH353A	11.7	8.6	6.8	5.6	3	510	19.8	53	7201	26.3	8.2	22	28
CCBEH353B	15.2	11.3	8.9	7.3	3	510	18.9	53	6883	39.4	12.3	22	28
CCBEH353C	17.3	13.0	10.2	8.2	3	510	18.2	53	6603	52.6	16.4	22	28
CCBEH354A	15.5	11.5	9.1	7.4	4	680	22.9	54	9601	35.1	10.7	22	28
CCBEH354B	19.5	14.7	11.3	9.1	4	680	21.9	54	9177	52.6	16.1	22	28
Fin spacing 7 mm, fan speed L													
CCBEL301A	2.1	1.6	1.2	1.0	1	68	7.3	42	1212	5.5	2.0	12	16
CCBEL301B	2.7	2.0	1.6	1.3	1	68	6.9	42	1146	8.2	3.1	12	16
CCBEL301C	3.1	2.3	1.9	1.5	1	68	6.6	42	1090	11.0	4.1	16	18
CCBEL302A	4.2	3.1	2.5	2.0	2	136	10.3	45	2425	11.0	3.6	16	18
CCBEL302B	5.4	4.0	3.2	2.6	2	136	9.8	45	2292	16.4	5.4	16	18
CCBEL302C	6.3	4.6	3.7	3.1	2	136	9.3	45	2180	21.9	7.2	22	28
CCBEL303A	6.3	4.6	3.7	3.0	3	204	12.7	47	3637	16.4	5.2	22	28
CCBEL303B	8.2	6.1	4.8	4.0	3	204	12.0	47	3439	24.7	7.8	22	28
CCBEL303C	9.3	7.0	5.6	4.6	3	204	11.4	47	3270	32.9	10.4	22	28
CCBEL304A	8.5	6.3	5.0	4.1	4	272	14.6	48	4849	21.9	6.8	22	28
CCBEL304B	10.8	8.0	6.4	5.2	4	272	13.8	48	4585	32.9	10.2	22	28

Model	Nominal capacities HFC DX				Blow-through AC fans 400/50/3							Connections	
	DT1 +2/-8 °C	SC2	SC3	SC4	fan power nr.	air throw m	sound pressure dB(A)	air flow m ³ /h	coil surface m ²	Int. volume dm ³	in mm	out mm	
CCBE	kW	kW	kW	kW		W							
Fin spacing 7 mm, fanspeed H													
CCBEH401A	4.9	3.6	2.8	2.3	1	229	14.3	55	3194	9.9	3.5	16	18
CCBEH401B	6.3	4.7	3.7	3.0	1	229	13.7	55	3042	14.8	5.3	16	18
CCBEH401C	7.5	5.6	4.4	3.6	1	229	13.0	55	2904	19.7	7.1	16	22
CCBEH402A	9.7	7.2	5.6	4.5	2	458	20.3	58	6389	19.7	6.4	16	22
CCBEH402B	12.1	9.1	6.9	5.5	2	458	19.3	58	6085	29.6	9.6	16	22
CCBEH402C	15.0	11.2	8.9	7.3	2	458	18.4	58	5807	39.4	12.7	22	35
CCBEH403A	14.7	10.8	8.5	7.0	3	687	24.8	60	9583	29.6	9.2	22	28
CCBEH403B	19.0	14.2	11.1	9.0	3	687	23.7	60	9127	44.4	13.8	22	28
CCBEH403C	21.6	16.3	12.6	10.1	3	687	22.6	60	8711	59.2	18.4	22	28
CCBEH404A	19.4	14.4	11.3	9.1	4	916	28.7	61	12780	39.4	12.0	22	28
CCBEH404B	24.2	18.3	13.9	11.1	4	916	27.3	61	12170	59.2	18.1	22	28
CCBEH404C	28.8	21.7	16.8	13.4	4	916	26.1	61	11610	78.9	24.1	22	35
CCBEH501A	9.0	6.6	5.1	4.1	1	720	23.9	55	7322	30.7	6.3	16	35
CCBEH501B	12.1	8.9	6.9	5.6	1	720	23.1	55	7069	46.0	9.4	22	35
CCBEH501C	14.7	10.8	8.5	6.9	1	720	22.3	55	6839	61.4	12.6	22	42
CCBEH502A	18.0	13.2	10.2	8.2	2	1440	33.8	58	14640	61.4	11.5	22	42
CCBEH502B	24.4	17.9	13.9	11.3	2	1440	32.7	58	14140	92.1	17.3	28	42
CCBEH502C	29.2	21.7	16.8	13.5	2	1440	31.6	58	13680	122.8	23.1	28	42
CCBEH503B	35.4	26.5	20.1	15.9	3	2160	40.0	60	21210	138.1	25.1	28	42
CCBEH503C	40.1	30.5	22.5	17.6	3	2160	38.7	60	20520	184.2	33.6	28	42
CCBEH504B	43.4	33.1	24.1	18.7	4	2880	46.2	61	28280	184.2	33.0	28	54
CCBEH504C	58.5	43.4	33.5	27.0	4	2880	44.7	61	27360	245.6	43.9	28	54
Fin spacing 7 mm, fan speed L													
CCBEL501A	6.6	4.8	3.8	3.1	1	190	13.9	44	4247	30.7	6.3	16	35
CCBEL501B	8.6	6.3	4.9	4.0	1	190	13.3	44	4076	46.0	9.4	22	35
CCBEL501C	10.2	7.5	5.9	4.9	1	190	12.8	44	3923	61.4	12.6	22	42
CCBEL502A	13.2	9.7	7.5	6.1	2	380	19.6	47	8494	61.4	11.5	22	42
CCBEL502B	17.4	12.8	10.0	8.2	2	380	18.8	47	8152	92.1	17.3	28	42
CCBEL502C	20.5	15.2	12.0	9.8	2	380	18.1	47	7846	122.8	23.1	28	42
CCBEL503B	26.0	19.3	15.0	12.1	3	570	23.1	49	12230	138.1	25.1	28	42
CCBEL503C	29.6	22.3	17.1	13.7	3	570	22.2	49	11770	184.2	33.6	28	42
CCBEL504B	33.1	24.9	18.9	15.0	4	760	26.6	50	16300	184.2	33.0	28	54
CCBEL504C	41.1	30.4	24.0	19.6	4	760	25.6	50	15690	245.6	43.9	28	54

Model	Nominal capacities HFC DX				Blow-through AC fans 400/50/3							Connections	
	DT1 +2/-8 °C	SC2	SC3	SC4	fan power nr.	air throw W	sound pressure dB(A)	air flow m ³ /h	coil surface m ²	Int. volume dm ³	in mm	out mm	
CCBE	kW	kW	kW	kW									
Fin spacing 10 mm, fan speed H													
CCBEH501A	7.2	5.3	4.1	3.3	1	720	24.3	55	7441	22.1	6.3	16	35
CCBEH501B	9.9	7.2	5.6	4.6	1	720	23.6	55	7234	33.2	9.4	22	35
CCBEH501C	12.4	9.1	7.1	5.8	1	720	23.0	55	7042	44.2	12.6	22	42
CCBEH502A	14.5	10.6	8.2	6.6	2	1440	34.4	58	14880	44.2	11.5	22	42
CCBEH502B	20.1	14.7	11.4	9.3	2	1440	33.4	58	14470	66.3	17.3	28	42
CCBEH502C	24.8	18.3	14.2	11.5	2	1440	32.5	58	14080	88.5	23.1	28	42
CCBEH503B	29.7	22.1	16.9	13.6	3	2160	40.9	60	21700	99.5	25.1	28	42
CCBEH503C	35.0	26.4	19.8	15.6	3	2160	39.8	60	21130	132.7	33.6	28	42
CCBEH504B	37.4	28.3	21.0	16.5	4	2880	47.3	61	28930	132.7	33.0	28	54
CCBEH504C	49.6	36.6	28.5	23.0	4	2880	46.0	61	28170	176.9	43.9	28	54
Fin spacing 10 mm, fan speed L													
CCBEL501A	5.3	3.9	3.0	2.5	1	190	14.2	44	4336	22.1	6.3	16	35
CCBEL501B	7.1	5.2	4.1	3.3	1	190	13.7	44	4195	33.2	9.4	22	35
CCBEL501C	8.7	6.4	5.1	4.1	1	190	13.3	44	4067	44.2	12.6	22	42
CCBEL502A	10.7	7.8	6.1	5.0	2	380	20.0	47	8672	44.2	11.5	22	42
CCBEL502B	14.5	10.6	8.3	6.8	2	380	19.4	47	8389	66.3	17.3	28	42
CCBEL502C	17.6	13.0	10.3	8.4	2	380	18.8	47	8135	88.5	23.1	28	42
CCBEL503B	21.8	16.2	12.6	10.3	3	570	23.7	49	12580	99.5	25.1	28	42
CCBEL503C	25.9	19.3	15.0	12.1	3	570	23.0	49	12200	132.7	33.6	28	42
CCBEL504B	28.3	21.2	16.3	13.0	4	760	27.4	50	16780	132.7	33.0	28	54
CCBEL504C	35.3	26.0	20.6	16.8	4	760	26.6	50	16270	176.9	43.9	28	54

Model	Nominal capacities		Blow-through AC fans 230/50/1							Connections	
	DT1 +2/-8 °C kW	SC2 kW	fan power nr.	air throw W	air throw m	sound pressure dB(A)	air flow m ³ /h	coil surface m ²	Int. volume dm ³	in mm	out mm
CCBX											
Fin spacing 4 mm, fan speed H											
CCBXH251A	2.0	1.6	1	134	7.8	58	1186	7.7	1.0	8	10
CCBXH251B	2.7	2.1	1	134	7.5	58	1141	11.5	1.5	12	12
CCBXH251C	3.2	2.5	1	134	7.2	58	1098	15.3	2.0	12	12
CCBXH252A	4.0	3.1	2	268	11.1	61	2373	15.3	1.8	12	12
CCBXH252B	5.4	4.2	2	268	10.6	61	2281	23.0	2.6	12	12
CCBXH252C	6.4	5.0	2	268	10.3	61	2196	30.6	3.5	12	12
CCBXH253A	6.2	4.8	3	402	13.6	63	3559	23.0	2.5	12	12
CCBXH253B	8.2	6.4	3	402	13.0	63	3422	34.4	3.8	12	12
CCBXH253C	9.8	7.6	3	402	12.6	63	3294	45.9	5.1	16	12
CCBXH254A	8.1	6.3	4	536	15.7	64	4746	30.6	3.3	12	12
CCBXH254B	10.6	8.3	4	536	15.1	64	4563	45.9	4.9	12	12
CCBXH301A	2.7	2.1	1	162	10.7	64	1773	9.2	1.2	12	12
CCBXH301B	3.6	2.8	1	162	10.2	64	1688	13.8	1.8	12	12
CCBXH301C	4.4	3.4	1	162	9.7	64	1610	18.4	2.4	12	12
CCBXH302A	5.4	4.2	2	324	15.1	67	3547	18.4	2.1	12	12
CCBXH302B	7.2	5.6	2	324	14.4	67	3376	27.6	3.2	12	12
CCBXH302C	8.7	6.8	2	324	13.7	67	3221	36.7	4.2	16	12
CCBXH303A	8.2	6.3	3	486	18.5	69	5320	27.6	3.0	16	12
CCBXH303B	10.9	8.5	3	486	17.6	69	5065	41.3	4.6	16	12
CCBXH303C	13.0	10.1	3	486	16.8	69	4831	55.1	6.1	16	14
CCBXH304A	10.9	8.5	4	648	21.4	70	7093	36.7	4.0	16	14
CCBXH304B	14.7	11.4	4	648	20.3	70	6753	55.1	5.9	22	16
CCBXH351A	4.0	3.1	1	180	11.5	49	2420	14.7	1.8	12	12
CCBXH351B	5.3	4.2	1	180	11.0	49	2301	22.0	2.8	12	12
CCBXH351C	6.3	4.9	1	180	10.5	49	2195	29.4	3.7	12	12
CCBXH352A	8.0	6.2	2	360	16.3	52	4841	29.4	3.3	12	12
CCBXH352B	10.7	8.3	2	360	15.5	52	4602	44.1	5.0	16	12
CCBXH352C	12.7	9.9	2	360	14.8	52	4390	58.8	6.6	16	12
CCBXH353A	12.2	9.4	3	540	20.0	54	7261	44.1	4.8	16	14
CCBXH353B	15.9	12.4	3	540	19.0	54	6902	66.1	7.2	16	14
CCBXH353C	19.2	15.0	3	540	18.1	54	6584	88.2	9.6	22	14
CCBXH354A	16.0	12.4	4	720	23.1	55	9682	58.8	6.3	16	14
CCBXH354B	21.6	16.8	4	720	21.9	55	9203	88.2	9.4	22	14

Model	Nominal capacities		Blow-through AC fans 230/50/1							Connections	
	DT1 +2/-8 °C kW	SC2 kW	fan power nr.	air throw W	air throw m	sound pressure dB(A)	air flow m ³ /h	coil surface m ²	Int. volume dm ³	in mm	out mm
CCBX											
Fin spacing 4 mm, fan speed L											
CCBXL251A	1.5	1.2	1	45	4.3	43	653	7.7	1.0	8	10
CCBXL251B	2.0	1.5	1	45	4.1	43	628	11.5	1.5	12	12
CCBXL251C	2.2	1.7	1	45	4.0	43	605	15.3	2.0	12	12
CCBXL252A	3.0	2.4	2	90	6.1	46	1307	15.3	1.8	12	12
CCBXL252B	3.9	3.0	2	90	5.9	46	1256	23.0	2.6	12	12
CCBXL252C	4.5	3.5	2	90	5.6	46	1211	30.6	3.5	12	12
CCBXL253A	4.6	3.6	3	135	7.5	48	1960	23.0	2.5	12	12
CCBXL253B	5.9	4.6	3	135	7.2	48	1884	34.4	3.8	12	12
CCBXL253C	6.7	5.2	3	135	6.9	48	1816	45.9	5.1	16	12
CCBXL254A	6.1	4.7	4	180	8.6	49	2613	30.6	3.3	12	12
CCBXL254B	7.7	6.0	4	180	8.3	49	2512	45.9	4.9	12	12
CCBXL301A	2.3	1.8	1	72	7.5	42	1237	9.2	1.2	12	12
CCBXL301B	3.0	2.3	1	72	7.0	42	1163	13.8	1.8	12	12
CCBXL301C	3.5	2.7	1	72	6.6	42	1101	18.4	2.4	12	12
CCBXL302A	4.6	3.6	2	144	10.5	45	2474	18.4	2.1	12	12
CCBXL302B	6.0	4.7	2	144	9.9	45	2327	27.6	3.2	12	12
CCBXL302C	7.0	5.5	2	144	9.4	45	2203	36.7	4.2	16	12
CCBXL303A	7.0	5.4	3	216	12.9	47	3712	27.6	3.0	16	12
CCBXL303B	9.0	7.0	3	216	12.1	47	3490	41.3	4.6	16	12
CCBXL303C	10.5	8.2	3	216	11.5	47	3304	55.1	6.1	16	14
CCBXL304A	9.3	7.2	4	288	14.9	48	4949	36.7	4.0	16	14
CCBXL304B	12.2	9.4	4	288	14.0	48	4653	55.1	5.9	22	16
CCBXL351A	3.2	2.5	1	74	7.4	38	1549	14.7	1.8	12	12
CCBXL351B	4.2	3.3	1	74	7.0	38	1462	22.0	2.8	12	12
CCBXL351C	4.8	3.8	1	74	6.6	38	1388	29.4	3.7	12	12
CCBXL352A	6.5	5.1	2	148	10.4	41	3097	29.4	3.3	12	12
CCBXL352B	8.4	6.5	2	148	9.8	41	2925	44.1	5.0	16	12
CCBXL352C	9.6	7.5	2	148	9.3	41	2775	58.8	6.6	16	12
CCBXL353A	9.9	7.7	3	222	12.8	43	4646	44.1	4.8	16	14
CCBXL353B	12.5	9.7	3	222	12.1	43	4387	66.1	7.2	16	14
CCBXL353C	14.6	11.3	3	222	11.5	43	4163	88.2	9.6	22	14
CCBXL354A	13.0	10.1	4	296	14.8	44	6195	58.8	6.3	16	14
CCBXL354B	17.0	13.2	4	296	13.9	44	5850	88.2	9.4	22	14

Model	Nominal capacities				Blow-through AC fans 230/50/1							Connections	
	DT1 +2/-8 °C kW	SC2 kW	SC3 kW	SC4 kW	nr.	fan power W	air throw m	sound pressure dB(A)	air flow m ³ /h	coil surface m ²	Int. volume dm ³	in mm	out mm
CCBX													
Fin spacing 7 mm, fan speed H													
CCBXH251A	1.5	1.1	0.8	0.7	1	134	8.0	58	1217	4.6	1.0	8	10
CCBXH251B	2.1	1.6	1.2	1.0	1	134	7.8	58	1184	6.9	1.5	12	12
CCBXH251C	2.5	2.0	1.4	1.2	1	134	7.6	58	1153	9.2	2.0	12	12
CCBXH252A	2.9	2.3	1.7	1.4	2	268	11.4	61	2435	9.2	1.8	12	12
CCBXH252B	4.1	3.2	2.3	1.9	2	268	11.1	61	2368	13.8	2.6	12	12
CCBXH252C	5.0	3.9	2.9	2.4	2	268	10.8	61	2305	18.4	3.5	12	12
CCBXH253A	4.5	3.5	2.5	2.1	3	402	13.9	63	3652	13.8	2.5	12	12
CCBXH253B	6.2	4.8	3.5	2.9	3	402	13.5	63	3552	20.7	3.8	12	12
CCBXH253C	7.6	5.9	4.3	3.6	3	402	13.2	63	3458	27.6	5.1	16	12
CCBXH254A	5.9	4.6	3.3	2.8	4	536	16.1	64	4869	18.4	3.3	12	12
CCBXH254B	8.1	6.3	4.6	3.8	4	536	15.6	64	4736	27.6	4.9	12	12
CCBXH301A	2.0	1.6	1.1	0.9	1	162	11.0	64	1830	5.5	1.2	12	12
CCBXH301B	2.7	2.1	1.6	1.3	1	162	10.6	64	1766	8.3	1.8	12	12
CCBXH301C	3.4	2.7	1.9	1.6	1	162	10.3	64	1707	11.1	2.4	12	12
CCBXH302A	4.0	3.1	2.3	1.9	2	324	15.6	67	3660	11.1	2.1	12	12
CCBXH302B	5.5	4.3	3.1	2.6	2	324	15.0	67	3532	16.6	3.2	12	12
CCBXH302C	6.8	5.3	3.9	3.2	2	324	14.5	67	3414	22.1	4.2	16	12
CCBXH303A	6.0	4.7	3.4	2.8	3	486	19.1	69	5491	16.6	3.0	16	12
CCBXH303B	8.3	6.4	4.7	3.9	3	486	18.4	69	5298	24.9	4.6	16	12
CCBXH303C	10.2	8.0	5.8	4.8	3	486	17.8	69	5121	33.2	6.1	16	14
CCBXH304A	8.0	6.2	4.5	3.7	4	648	22.1	70	7321	22.1	4.0	16	14
CCBXH304B	11.1	8.7	6.3	5.2	4	648	21.3	70	7064	33.2	5.9	22	16
CCBXH351A	2.9	2.3	1.7	1.4	1	180	11.9	49	2505	8.8	1.8	12	12
CCBXH351B	4.0	3.2	2.3	1.9	1	180	11.5	49	2413	13.3	2.8	12	12
CCBXH351C	5.0	3.9	2.8	2.3	1	180	11.1	49	2330	17.7	3.7	12	12
CCBXH352A	5.9	4.6	3.3	2.7	2	360	16.9	52	5010	17.7	3.3	12	12
CCBXH352B	8.1	6.3	4.6	3.8	2	360	16.3	52	4825	26.5	5.0	16	12
CCBXH352C	10.0	7.8	5.7	4.7	2	360	15.7	52	4660	35.4	6.6	16	12
CCBXH353A	8.9	6.9	5.0	4.2	3	540	20.7	54	7514	26.5	4.8	16	14
CCBXH353B	12.1	9.4	6.9	5.7	3	540	19.9	54	7238	39.8	7.2	16	14
CCBXH353C	15.1	11.8	8.6	7.1	3	540	19.2	54	6991	53.1	9.6	22	14
CCBXH354A	11.7	9.1	6.7	5.5	4	720	23.9	55	10020	35.4	6.3	16	14
CCBXH354B	16.3	12.7	9.3	7.7	4	720	23.0	55	9651	53.1	9.4	22	14

Model	Nominal capacities				Blow-through AC fans 230/50/1							Connections	
	DT1 +2/-8 °C	SC2	SC3	SC4	fan power nr.	air throw W	sound pressure dB(A)	air flow m ³ /h	coil surface m ²	Int. volume dm ³	in mm	out mm	
CCBX	kW	kW	kW	kW									
Fin spacing 7 mm, fan speed L													
CCBXL251A	1.4	0.9	0.6	0.5	1	45	4.4	43	673	4.6	1.0	8	10
CCBXL251B	1.9	1.2	0.8	0.7	1	45	4.3	43	654	6.9	1.5	12	12
CCBXL251C	2.2	1.5	1.0	0.8	1	45	4.2	43	637	9.2	2.0	12	12
CCBXL252A	2.7	1.8	1.2	1.0	2	90	6.3	46	1346	9.2	1.8	12	12
CCBXL252B	3.7	2.5	1.7	1.4	2	90	6.1	46	1308	13.8	2.6	12	12
CCBXL252C	4.5	3.0	2.0	1.6	2	90	5.9	46	1274	18.4	3.5	12	12
CCBXL253A	4.1	2.7	1.8	1.5	3	135	7.7	48	2018	13.8	2.5	12	12
CCBXL253B	5.6	3.7	2.5	2.1	3	135	7.5	48	1962	20.7	3.8	12	12
CCBXL253C	6.7	4.5	3.0	2.5	3	135	7.3	48	1911	27.6	5.1	16	12
CCBXL254A	5.5	3.6	2.4	2.0	4	180	8.9	49	2691	18.4	3.3	12	12
CCBXL254B	7.4	4.9	3.3	2.7	4	180	8.6	49	2616	27.6	4.9	12	12
CCBXL301A	2.2	1.4	1.0	0.8	1	72	7.8	42	1295	5.5	1.2	12	12
CCBXL301B	2.9	1.9	1.3	1.1	1	72	7.4	42	1234	8.3	1.8	12	12
CCBXL301C	3.5	2.3	1.6	1.3	1	72	7.1	42	1184	11.1	2.4	12	12
CCBXL302A	4.3	2.8	1.9	1.6	2	144	11.0	45	2590	11.1	2.1	12	12
CCBXL302B	5.8	3.8	2.6	2.1	2	144	10.5	45	2469	16.6	3.2	12	12
CCBXL302C	7.1	4.7	3.2	2.6	2	144	10.1	45	2367	22.1	4.2	16	12
CCBXL303A	6.5	4.2	2.9	2.4	3	216	13.5	47	3885	16.6	3.0	16	12
CCBXL303B	8.8	5.7	3.9	3.2	3	216	12.9	47	3703	24.9	4.6	16	12
CCBXL303C	10.6	7.0	4.7	3.9	3	216	12.4	47	3551	33.2	6.1	16	14
CCBXL304A	8.6	5.6	3.8	3.1	4	288	15.6	48	5179	22.1	4.0	16	14
CCBXL304B	11.7	7.7	5.2	4.3	4	288	14.9	48	4938	33.2	5.9	22	16
CCBXL351A	3.0	2.0	1.3	1.1	1	74	7.7	38	1615	8.8	1.8	12	12
CCBXL351B	4.0	2.7	1.8	1.5	1	74	7.4	38	1549	13.3	2.8	12	12
CCBXL351C	4.9	3.2	2.2	1.8	1	74	7.1	38	1490	17.7	3.7	12	12
CCBXL352A	6.0	3.9	2.7	2.2	2	148	10.9	41	3230	17.7	3.3	12	12
CCBXL352B	8.1	5.3	3.6	3.0	2	148	10.4	41	3097	26.5	5.0	16	12
CCBXL352C	9.7	6.4	4.3	3.6	2	148	10.0	41	2980	35.4	6.6	16	12
CCBXL353A	9.0	5.9	4.0	3.3	3	222	13.3	43	4845	26.5	4.8	16	14
CCBXL353B	12.1	8.0	5.4	4.4	3	222	12.8	43	4646	39.8	7.2	16	14
CCBXL353C	14.7	9.7	6.6	5.4	3	222	12.3	43	4470	53.1	9.6	22	14
CCBXL354A	12.0	7.9	5.3	4.4	4	296	15.4	44	6460	35.4	6.3	16	14
CCBXL354B	16.3	10.7	7.2	6.0	4	296	14.8	44	6194	53.1	9.4	22	14

Model	Nominal capacities		Blow-through AC fans 230-400/50/3							Connections	
	DT1 +2/-8 °C kW	SC2 kW	fan power nr. W	air throw m	sound pressure dB(A)	air flow m ³ /h	coil surface m ²	Int. volume dm ³	in mm	out mm	
CCBX											
Fin spacing 4 mm, fan speed H											
CCBXH251A	2.0	1.6	1	127	7.8	58	1183	7.7	1.0	8	10
CCBXH251B	2.7	2.1	1	127	7.5	58	1141	11.5	1.5	12	12
CCBXH251C	3.2	2.5	1	127	7.3	58	1103	15.3	2.0	12	12
CCBXH252A	4.0	3.1	2	254	11.0	61	2366	15.3	1.8	12	12
CCBXH252B	5.4	4.2	2	254	10.7	61	2282	23.0	2.6	12	12
CCBXH252C	6.5	5.0	2	254	10.3	61	2206	30.6	3.5	12	12
CCBXH253A	6.1	4.8	3	381	13.5	63	3549	23.0	2.5	12	12
CCBXH253B	8.2	6.4	3	381	13.0	63	3423	34.4	3.8	12	12
CCBXH253C	9.8	7.6	3	381	12.6	63	3309	45.9	5.1	16	12
CCBXH254A	8.1	6.3	4	508	15.6	64	4732	30.6	3.3	12	12
CCBXH254B	10.6	8.3	4	508	15.1	64	4563	45.9	4.9	12	12
CCBXH351A	3.9	3.1	1	170	11.3	48	2367	14.7	1.8	12	12
CCBXH351B	5.3	4.1	1	170	10.7	48	2251	22.0	2.8	12	12
CCBXH351C	6.3	4.9	1	170	10.2	48	2148	29.4	3.7	12	12
CCBXH352A	7.9	6.2	2	340	15.9	51	4735	29.4	3.3	12	12
CCBXH352B	10.6	8.2	2	340	15.2	51	4502	44.1	5.0	16	12
CCBXH352C	12.5	9.8	2	340	14.5	51	4296	58.8	6.6	16	12
CCBXH353A	12.0	9.4	3	510	19.5	53	7102	44.1	4.8	16	14
CCBXH353B	15.7	12.2	3	510	18.6	53	6752	66.1	7.2	16	14
CCBXH353C	19.0	14.8	3	510	17.7	53	6444	88.2	9.6	22	14
CCBXH354A	15.8	12.3	4	680	22.6	54	9470	58.8	6.3	16	14
CCBXH354B	21.4	16.6	4	680	21.4	54	9003	88.2	9.4	22	14
Fin spacing 4 mm, fan speed L											
CCBXL301A	2.3	1.8	1	68	7.2	42	1189	9.2	1.2	12	12
CCBXL301B	2.9	2.3	1	68	6.7	42	1117	13.8	1.8	12	12
CCBXL301C	3.4	2.7	1	68	6.4	42	1055	18.4	2.4	12	12
CCBXL302A	4.5	3.5	2	136	10.1	45	2379	18.4	2.1	12	12
CCBXL302B	5.9	4.6	2	136	9.5	45	2233	27.6	3.2	12	12
CCBXL302C	6.9	5.3	2	136	9.0	45	2111	36.7	4.2	16	12
CCBXL303A	6.8	5.3	3	204	12.4	47	3568	27.6	3.0	16	12
CCBXL303B	8.8	6.9	3	204	11.7	47	3350	41.3	4.6	16	12
CCBXL303C	10.3	8.0	3	204	11.0	47	3166	55.1	6.1	16	14
CCBXL304A	9.1	7.1	4	272	14.3	48	4757	36.7	4.0	16	14
CCBXL304B	11.9	9.2	4	272	13.5	48	4467	55.1	5.9	22	16

Model	Nominal capacities		Blow-through AC fans 400/50/3							Connections	
	DT1 +2/-8 °C kW	SC2 kW	fan power nr. W	air throw m	sound pressure dB(A)	air flow m ³ /h	coil surface m ²	Int. volume dm ³	in mm	out mm	
CCBX											
Fin spacing 4 mm, fan speed H											
CCBXH401A	4.7	3.7	1	229	14.2	55	3152	16.5	2.1	12	10
CCBXH401B	6.4	5.0	1	229	13.4	55	2983	24.8	3.1	12	10
CCBXH401C	7.3	5.7	1	229	12.7	55	2830	33.1	4.1	12	12
CCBXH402A	9.4	7.4	2	458	20.0	58	6304	33.1	3.7	12	12
CCBXH402B	12.7	9.9	2	458	18.9	58	5967	49.6	5.6	16	14
CCBXH402C	15.2	11.9	2	458	18.0	58	5660	66.1	7.5	16	14
CCBXH403A	14.1	11.0	3	687	24.5	60	9457	49.6	5.4	16	16
CCBXH403B	19.1	14.9	3	687	23.2	60	8950	74.4	8.1	16	16
CCBXH403C	22.0	17.3	3	687	22.0	60	8490	99.2	10.8	16	16
CCBXH404A	19.1	14.9	4	916	28.3	61	12610	66.1	7.0	16	16
CCBXH404B	24.3	19.1	4	916	26.8	61	11930	99.2	10.6	16	16
CCBXH404C	29.3	23.0	4	916	25.4	61	11320	132.3	14.1	22	16
CCBXH501A	9.6	7.5	1	720	23.2	55	7101	31.2	3.7	12	12
CCBXH501B	13.1	10.2	1	720	22.1	55	6767	46.8	5.5	16	12
CCBXH501C	15.9	12.4	1	720	21.1	55	6467	62.5	7.4	16	12
CCBXH502A	18.3	14.3	2	1440	32.8	58	14200	62.5	6.8	16	16
CCBXH502B	24.4	19.2	2	1440	31.3	58	13530	93.7	10.2	16	16
CCBXH502C	30.6	24.0	2	1440	29.9	58	12930	124.9	13.6	22	16
CCBXH503A	28.8	22.5	3	2160	40.2	60	21300	93.7	9.9	22	16
CCBXH503B	36.6	28.8	3	2160	38.3	60	20300	140.5	14.9	22	16
CCBXH503C	44.8	35.3	3	2160	36.6	60	19400	187.4	19.9	22	18
CCBXH504A	36.5	28.7	4	2880	46.4	61	28400	124.9	13.1	22	18
CCBXH504B	50.2	39.4	4	2880	44.2	61	27070	187.4	19.6	22	22
Fin spacing 4 mm, fan speed L											
CCBXL501A	7.6	5.9	1	190	13.3	44	4061	31.2	3.7	12	12
CCBXL501B	10.0	7.8	1	190	12.5	44	3828	46.8	5.5	16	12
CCBXL501C	11.6	9.0	1	190	11.8	44	3622	62.5	7.4	16	12
CCBXL502A	14.7	11.5	2	380	18.8	47	8123	62.5	6.8	16	16
CCBXL502B	19.0	14.9	2	380	17.7	47	7656	93.7	10.2	16	16
CCBXL502C	22.7	17.7	2	380	16.7	47	7244	124.9	13.6	22	16
CCBXL503A	22.8	17.8	3	570	23.0	49	12180	93.7	9.9	22	16
CCBXL503B	28.5	22.4	3	570	21.7	49	11480	140.5	14.9	22	16
CCBXL503C	33.5	26.3	3	570	20.5	49	10870	187.4	19.9	22	18
CCBXL504A	29.4	23.0	4	760	26.5	50	16250	124.9	13.1	22	18
CCBXL504B	38.8	30.3	4	760	25.0	50	15310	187.4	19.6	22	22

Model	Nominal capacities				Blow-through AC fans 400/50/3							Connections	
	DT1 +2/-8 °C kW	SC2 kW	SC3 kW	SC4 kW	nr.	fan power W	air throw m	sound pressure dB(A)	air flow m ³ /h	coil surface m ²	Int. volume dm ³	in mm	out mm
CCBX													
Fin spacing 7 mm, fan speed H													
CCBXH251A	1.5	1.1	0.8	0.7	1	127	8.0	58	1213	4.6	1.0	8	10
CCBXH251B	2.1	1.6	1.2	1.0	1	127	7.8	58	1181	6.9	1.5	12	12
CCBXH251C	2.5	2.0	1.4	1.2	1	127	7.6	58	1152	9.2	2.0	12	12
CCBXH252A	2.9	2.3	1.7	1.4	2	254	11.3	61	2426	9.2	1.8	12	12
CCBXH252B	4.1	3.2	2.3	1.9	2	254	11.0	61	2361	13.8	2.6	12	12
CCBXH252C	5.0	3.9	2.9	2.4	2	254	10.8	61	2303	18.4	3.5	12	12
CCBXH253A	4.5	3.5	2.5	2.1	3	381	13.9	63	3640	13.8	2.5	12	12
CCBXH253B	6.1	4.8	3.5	2.9	3	381	13.5	63	3542	20.7	3.8	12	12
CCBXH253C	7.6	5.9	4.3	3.6	3	381	13.2	63	3455	27.6	5.1	16	12
CCBXH254A	5.9	4.6	3.3	2.8	4	508	16.0	64	4853	18.4	3.3	12	12
CCBXH254B	8.1	6.3	4.6	3.8	4	508	15.6	64	4722	27.6	4.9	12	12
CCBXH351A	2.9	2.3	1.6	1.4	1	170	11.7	48	2451	8.8	1.8	12	12
CCBXH351B	4.0	3.1	2.3	1.9	1	170	11.2	48	2360	13.3	2.8	12	12
CCBXH351C	4.9	3.8	2.8	2.3	1	170	10.9	48	2280	17.7	3.7	12	12
CCBXH352A	5.8	4.5	3.3	2.7	2	340	16.5	51	4902	17.7	3.3	12	12
CCBXH352B	8.0	6.3	4.6	3.8	2	340	15.9	51	4720	26.5	5.0	16	12
CCBXH352C	9.8	7.7	5.6	4.6	2	340	15.4	51	4559	35.4	6.6	16	12
CCBXH353A	8.8	6.8	5.0	4.1	3	510	20.2	53	7353	26.5	4.8	16	14
CCBXH353B	12.0	9.3	6.8	5.6	3	510	19.5	53	7080	39.8	7.2	16	14
CCBXH353C	14.9	11.6	8.5	7.0	3	510	18.8	53	6839	53.1	9.6	22	14
CCBXH354A	11.6	9.1	6.6	5.4	4	680	23.3	54	9803	35.4	6.3	16	14
CCBXH354B	16.2	12.6	9.2	7.6	4	680	22.5	54	9440	53.1	9.4	22	14
Fin spacing 7 mm, fan speed L													
CCBXL301A	1.7	1.4	0.9	0.8	1	68	7.5	42	1244	5.5	1.2	12	12
CCBXL301B	2.2	1.9	1.3	1.0	1	68	7.2	42	1187	8.3	1.8	12	12
CCBXL301C	2.7	2.3	1.5	1.3	1	68	6.9	42	1137	11.1	2.4	12	12
CCBXL302A	3.3	2.8	1.9	1.5	2	136	10.6	45	2489	11.1	2.1	12	12
CCBXL302B	4.5	3.7	2.5	2.1	2	136	10.1	45	2374	16.6	3.2	12	12
CCBXL302C	5.4	4.6	3.1	2.5	2	136	9.7	45	2275	22.1	4.2	16	12
CCBXL303A	5.0	4.2	2.8	2.3	3	204	13.0	47	3733	16.6	3.0	16	12
CCBXL303B	6.7	5.6	3.8	3.1	3	204	12.4	47	3561	24.9	4.6	16	12
CCBXL303C	8.1	6.8	4.6	3.8	3	204	11.9	47	3412	33.2	6.1	16	14
CCBXL304A	6.6	5.5	3.7	3.1	4	272	15.0	48	4977	22.1	4.0	16	14
CCBXL304B	9.0	7.5	5.1	4.2	4	272	14.3	48	4748	33.2	5.9	22	16

Model	Nominal capacities				Blow-through AC fans 400/50/3							Connections	
	DT1 +2/-8 °C	SC2	SC3	SC4	fan power nr.	air throw W	sound pressure dB(A)	air flow m ³ /h	coil surface m ²	Int. volume dm ³	in mm	out mm	
CCBX	kW	kW	kW	kW									
Fin spacing 7 mm, fan speed H													
CCBXH401A	3.5	2.7	2.0	1.6	1	229	14.7	55	3264	10.0	2.1	12	10
CCBXH401B	4.9	3.8	2.8	2.3	1	229	14.1	55	3138	14.9	3.1	12	10
CCBXH401C	5.9	4.6	3.3	2.7	1	229	13.6	55	3021	19.9	4.1	12	12
CCBXH402A	7.0	5.5	4.0	3.3	2	458	20.7	58	6527	19.9	3.7	12	12
CCBXH402B	9.7	7.6	5.6	4.6	2	458	19.9	58	6276	29.9	5.6	16	14
CCBXH402C	12.0	9.4	6.9	5.6	2	458	19.2	58	6042	39.8	7.5	16	14
CCBXH403A	10.5	8.2	6.0	4.9	3	687	25.4	60	9791	29.9	5.4	16	16
CCBXH403B	14.6	11.4	8.3	6.9	3	687	24.4	60	9414	44.8	8.1	16	16
CCBXH403C	17.6	13.8	10.0	8.2	3	687	23.5	60	9063	59.7	10.8	16	16
CCBXH404A	14.1	11.0	8.0	6.6	4	916	29.3	61	13050	39.8	7.0	16	16
CCBXH404B	19.0	14.9	10.8	8.8	4	916	28.2	61	12550	59.7	10.6	16	16
CCBXH404C	23.5	18.4	13.3	10.9	4	916	27.1	61	12080	79.6	14.1	22	16
CCBXH501A	7.2	5.6	4.1	3.4	1	720	23.9	55	7319	18.8	3.7	12	12
CCBXH501B	10.1	7.9	5.7	4.7	1	720	23.1	55	7064	28.2	5.5	16	12
CCBXH501C	12.5	9.8	7.1	5.9	1	720	22.3	55	6830	37.6	7.4	16	12
CCBXH502A	13.9	10.9	7.9	6.5	2	1440	33.8	58	14640	37.6	6.8	16	16
CCBXH502B	19.2	15.1	10.9	8.9	2	1440	32.6	58	14130	56.4	10.2	16	16
CCBXH502C	24.4	19.2	13.9	11.4	2	1440	31.6	58	13660	75.2	13.6	22	16
CCBXH503A	21.5	16.9	12.3	10.1	3	2160	41.4	60	21960	56.4	9.9	22	16
CCBXH503B	28.8	22.7	16.3	13.3	3	2160	40.0	60	21190	84.6	14.9	22	16
CCBXH503C	36.0	28.4	20.5	16.7	3	2160	38.7	60	20490	112.8	19.9	22	18
CCBXH504A	27.9	21.9	15.8	13.0	4	2880	47.8	61	29280	75.2	13.1	22	18
CCBXH504B	39.2	30.8	22.3	18.2	4	2880	46.2	61	28250	112.8	19.6	22	22
Fin spacing 7 mm, fan speed L													
CCBXL501A	5.5	4.6	3.1	2.6	1	190	13.8	44	4232	18.8	3.7	12	12
CCBXL501B	7.6	6.4	4.3	3.5	1	190	13.2	44	4054	28.2	5.5	16	12
CCBXL501C	9.2	7.7	5.2	4.3	1	190	12.7	44	3895	37.6	7.4	16	12
CCBXL502A	10.9	9.1	6.2	5.0	2	380	19.6	47	8463	37.6	6.8	16	16
CCBXL502B	14.7	12.4	8.3	6.8	2	380	18.7	47	8108	56.4	10.2	16	16
CCBXL502C	18.2	15.3	10.3	8.5	2	380	18.0	47	7790	75.2	13.6	22	16
CCBXL503A	16.7	14.0	9.4	7.8	3	570	23.9	49	12690	56.4	9.9	22	16
CCBXL503B	22.1	18.6	12.5	10.2	3	570	22.9	49	12160	84.6	14.9	22	16
CCBXL503C	27.0	22.7	15.3	12.5	3	570	22.0	49	11690	112.8	19.9	22	18
CCBXL504A	21.8	18.3	12.3	10.1	4	760	27.7	50	16930	75.2	13.1	22	18
CCBXL504B	29.8	25.1	16.9	13.9	4	760	26.5	50	16220	112.8	19.6	22	22

Draw-through CC

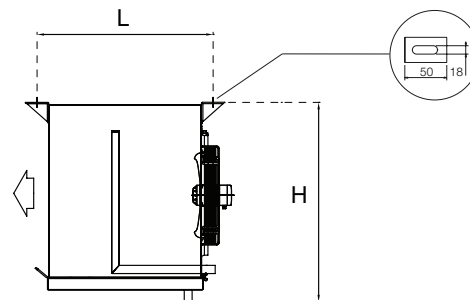
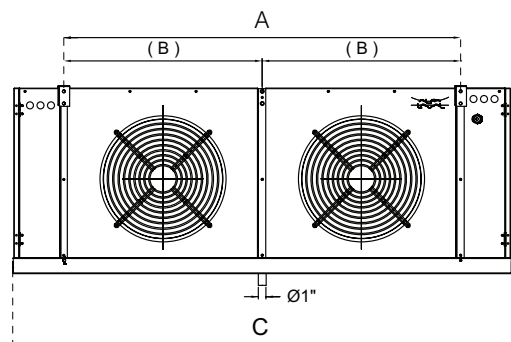
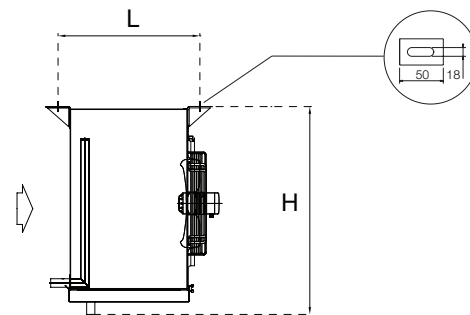
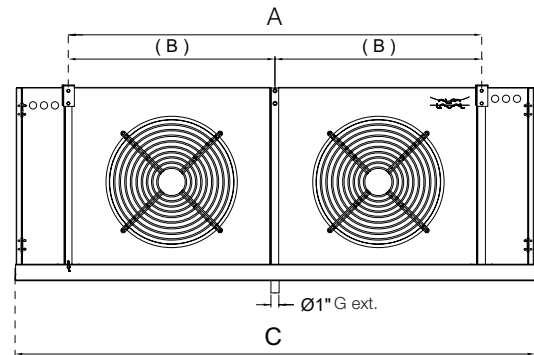
Model Optigo CC	Coil defrost				Drip tray defrost					
	Tube rows no.	heater elements no.	power per heater W	total power W	heater elements no.		total power W			
					std	heavy	std	heavy		
251.1A	4	2	-	420	840	-	1	-	420	-
251.1B	6	2	-	420	840	-	1	-	420	-
251.1C	8	4	-	420	1680	-	1	-	420	-
252.1A	4	2	-	760	1520	-	1	-	760	-
252.1B	6	2	-	760	1520	-	1	-	760	-
252.1C	8	4	-	760	3040	-	1	-	760	-
253.1A	4	2	-	1120	2240	-	1	-	1120	-
253.1B	6	2	-	1120	2240	-	1	-	1120	-
253.1C	8	4	-	1120	4480	-	1	-	1120	-
254.1A	4	2	-	1470	2940	-	1	-	1470	-
254.1B	6	2	-	1470	2940	-	1	-	1470	-
351.1A	4	4	-	420	1680	-	1	-	420	-
351.1B	6	4	-	420	1680	-	1	-	420	-
351.1C	8	5	-	420	2100	-	1	-	420	-
352.1A	4	4	-	760	3040	-	1	-	760	-
352.1B	6	4	-	760	3040	-	1	-	760	-
352.1C	8	5	-	760	3800	-	1	-	760	-
353.1A	4	4	-	1120	4480	-	1	-	1120	-
353.1B	6	4	-	1120	4480	-	1	-	1120	-
353.1C	8	5	-	1120	5600	-	1	-	1120	-
354.1A	4	4	-	1470	5880	-	1	-	1470	-
354.1B	6	4	-	1470	5880	-	1	-	1470	-
401A	4	5	7	460	2300	3220	1	2	460	920
401B	6	5	7	460	2300	3220	1	2	460	920
401C	8	8	10	460	3680	4600	1	2	460	920
402A	4	5	7	880	4400	6160	1	2	880	1760
402B	6	5	7	880	4400	6160	1	2	880	1760
402C	8	8	10	880	7040	8800	1	2	880	1760
403A	4	5	7	1290	6450	9030	1	2	1290	2580
403B	6	5	7	1290	6450	9030	1	2	1290	2580
403C	8	8	10	1290	10320	12900	1	2	1290	2580
404A	4	5	7	1700	8500	11900	1	2	1700	3400
404B	6	5	7	1700	8500	11900	1	2	1700	3400
404C	8	8	10	1700	13600	17000	1	2	1700	3400
501A	4	5	7	630	3150	4410	1	2	630	1260
501B	6	5	7	630	3150	4410	1	2	630	1260
501C	8	8	10	630	5040	6300	1	2	630	1260
502A	4	5	7	1220	6100	8540	1	2	1220	2440
502B	6	5	7	1220	6100	8540	1	2	1220	2440
502C	8	8	10	1220	9760	12200	1	2	1220	2440
503B	4	5	7	1810	9050	12670	1	2	1810	3620
503C	8	8	10	1810	14480	18100	1	2	1810	3620
504B	4	5	7	2400	12000	16800	1	2	2400	4800
504C	8	8	10	2400	19200	24000	1	2	2400	4800

Blow-through CCB

Model Optigo CCB	Coil defrost				Drip tray defrost					
	Tube rows no.	heater elements no.	power per heater W	total power W	heater elements no.		total power W			
					std	heavy	std	heavy		
251A	4	2	-	420	840	-	1	-	420	-
251B	6	2	-	420	840	-	1	-	420	-
251C	8	4	-	420	1680	-	1	-	420	-
252A	4	2	-	760	1520	-	1	-	760	-
252B	6	2	-	760	1520	-	1	-	760	-
252C	8	4	-	760	3040	-	1	-	760	-
253A	4	2	-	1120	2240	-	1	-	1120	-
253B	6	2	-	1120	2240	-	1	-	1120	-
253C	8	4	-	1120	4480	-	1	-	1120	-
254A	4	2	-	1470	2940	-	1	-	1470	-
254B	6	2	-	1470	2940	-	1	-	1470	-
301A	4	2	-	420	840	-	1	-	420	-
301B	6	2	-	420	840	-	1	-	420	-
301C	8	4	-	420	1680	-	1	-	420	-
302A	4	2	-	760	1520	-	1	-	760	-
302B	6	2	-	760	1520	-	1	-	760	-
302C	8	4	-	760	3040	-	1	-	760	-
303A	4	2	-	1120	2240	-	1	-	1120	-
303B	6	2	-	1120	2240	-	1	-	1120	-
303C	8	4	-	1120	4480	-	1	-	1120	-
304A	4	2	-	1470	2940	-	1	-	1470	-
304B	6	2	-	1470	2940	-	1	-	1470	-
351A	4	4	-	460	1840	-	1	-	460	-
351B	6	4	-	460	1840	-	1	-	460	-
351C	8	5	-	460	2300	-	1	-	460	-
352A	4	4	-	880	3520	-	1	-	880	-
352B	6	4	-	880	3520	-	1	-	880	-
352C	8	5	-	880	4400	-	1	-	880	-
353A	4	4	-	1290	5160	-	1	-	1290	-
353B	6	4	-	1290	5160	-	1	-	1290	-
353C	8	5	-	1290	6450	-	1	-	1290	-
354A	4	4	-	1700	6800	-	1	-	1700	-
354B	6	4	-	1700	6800	-	1	-	1700	-
354C	8	5	-	1700	8500	-	1	-	1700	-
401A	4	5	7	460	2300	3220	1	2	460	920
401B	6	5	7	460	2300	3220	1	2	460	920
401C	8	8	10	460	3680	4600	1	2	460	920
402A	4	5	7	880	4400	6160	1	2	880	1760
402B	6	5	7	880	4400	6160	1	2	880	1760
402C	8	8	10	880	7040	8800	1	2	880	1760
403A	4	5	7	1290	6450	9030	1	2	1290	2580
403B	6	5	7	1290	6450	9030	1	2	1290	2580
403C	8	8	10	1290	10320	12900	1	2	1290	2580
404A	4	5	7	1700	8500	11900	1	2	1700	3400
404B	6	5	7	1700	8500	11900	1	2	1700	3400
404C	8	8	10	1700	13600	17000	1	2	1700	3400
501A	4	5	7	630	3150	4410	1	2	630	1260
501B	6	5	7	630	3150	4410	1	2	630	1260
501C	8	8	10	630	5040	6300	1	2	630	1260
502A	4	5	7	1220	6100	8540	1	2	1220	1440
502B	6	5	7	1220	6100	8540	1	2	1220	1440
502C	8	8	10	1220	9760	12200	1	2	1220	1440
503A	4	5	7	1810	9050	12670	1	2	1810	3620
503B	6	5	7	1810	9050	12670	1	2	1810	3620
503C	8	8	10	1810	14480	18100	1	2	1810	3620
504A	4	5	7	2400	12000	16800	1	2	2400	4800
504B	6	5	7	2400	12000	16800	1	2	2400	4800
504C	8	8	10	2400	19200	24000	1	2	2400	4800

Dimensions

cooler model	Dimensions (mm)					Shipping volume m ³
	C	H	L	A	B	
Draw-through CC						
CC 251	841	405	410	530	-	0.4
CC 252	1341	405	410	1030	-	0.6
CC 253	1841	405	410	1530	-	0.8
CC 254	2341	405	410	2030	1015	1.0
CC 351	841	598	410	530	-	0.5
CC 352	1341	598	410	1030	-	0.7
CC 353	1841	598	410	1530	-	1.0
CC 354	2341	598	410	2030	1015	1.3
CC 401	1037	691	583	600	-	0.9
CC 402	1637	691	583	1200	-	1.3
CC 403	2237	691	583	1800	-	1.7
CC 404	2837	691	583	2400	1200	2.2
CC 501	1288	854	583	850	-	1.3
CC 502	2138	854	583	1700	-	2.0
CC 503	2988	854	583	2550	-	2.7
CC 504	3838	854	583	3400	1700	3.5
Blow-through CCB						
CCB 251	811	422	609	508	-	0.4
CCB 252	1319	422	609	1016	-	0.6
CCB 253	1827	422	609	1524	-	0.9
CCB 254	2335	422	609	2032	1016	1.1
CCB 301	811	482	609	508	-	0.5
CCB 302	1319	482	609	1016	-	0.7
CCB 303	1827	482	609	1524	-	0.9
CCB 304	2335	482	609	2032	1016	1.2
CCB 351	1046	606	651	600	-	0.7
CCB 352	1646	606	651	1200	-	1.0
CCB 353	2246	606	651	1800	-	1.5
CCB 354	2846	606	651	2400	1200	1.9
CCB 401	1046	665	651	600	-	0.8
CCB 402	1646	665	651	1200	-	1.2
CCB 403	2246	665	651	1800	-	1.6
CCB 404	2846	665	651	2400	1200	2.0
CCB 501	1297	854	902	850	-	1.7
CCB 502	2147	854	902	1700	-	2.7
CCB 503	2997	854	902	2550	-	3.7
CCB 504	3847	854	902	3400	1700	4.7

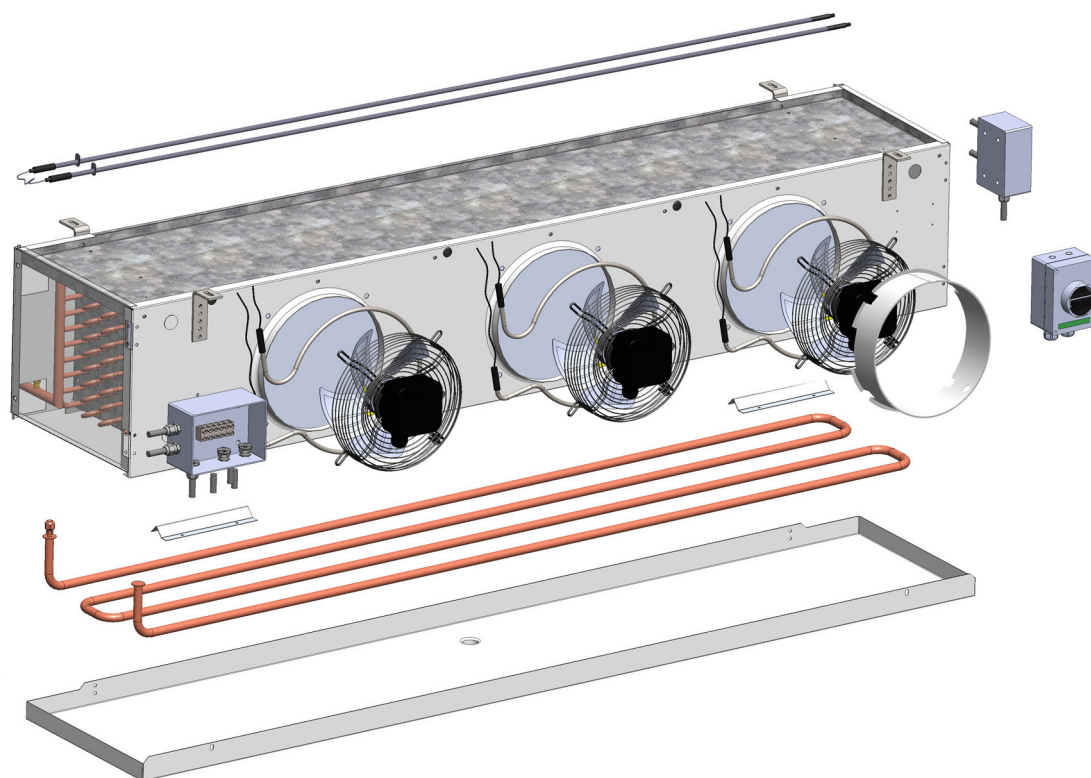


Weights

Model	*Weight (kg)		Model	*Weight (kg)	
	CC	CCB		CC	CCB
251A	18	31	401A	56	57
251B	19	32	401B	58	59
251C	20	33	401C	60	61
252A	30	45	402A	106	82
252B	31	46	402B	107	86
252C	32	48	402C	108	90
253A	45	57	403A	147	154
253B	46	60	403B	148	161
253C	47	62	403C	149	170
254A	60	71	404A	188	137
254B	61	75	404B	189	144
301A	-	46	404C	190	151
301B	-	47	501A	124	95
301C	-	49	501B	129	98
302A	-	93	501C	134	101
302B	-	95	502A	187	151
302C	-	97	502B	192	157
303A	-	132	502C	197	162
303B	-	132	503B	256	214
303C	-	135	503C	261	222
304A	-	171	504B	299	272
304B	-	171	504C	299	283
351A	36	50			
351B	37	51			
351C	38	53			
352A	52	71			
352B	53	75			
352C	54	78			
353A	73	94			
353B	74	99			
353C	75	104			
354A	105	118			
354B	106	125			

* Weights for cooler models with fin spacing 7 mm

* Weights for cooler models with fin spacing 7 mm



Spare parts Optigo CC		Article no.	
AC fan motors 230/50/1		ø	
1ph/230V/50-60Hz	H	250	41103191SP
1ph/230V/50-60Hz	L	250	41103241SP
1ph/230V/50-60Hz	H	350	41101520SP
1ph/230V/50-60Hz	L	350	41101521SP
1ph/230V/50-60Hz	H	400	41101165SP
1ph/230V/50-60Hz	L	400	41101490SP
1ph/230V/50-60Hz	H	500	41101545SP
1ph/230V/50-60Hz	L	500	41101510SP
AC fan motors 230-400/50/3		ø	
3ph/230D-400YV/50-60Hz	H	250	41101243SP
3ph/230D-400YV/50-60Hz	H	350	41101525SP
3ph/400V/50-60Hz	H	400	41101152SP
3ph/400V/50-60Hz	L	400	41101292SP
3ph/400V/50-60Hz	H	500	41101546SP
3ph/400V/50-60Hz	L	500	41101504SP
EC fan motors			
1ph/230V/50-60Hz	H/L	250	41101558SP
1ph/230V/50-60Hz	H/L	350	41103185SP
1ph/230V/50-60Hz	H/L	400	41103258SP
1ph/230V/50-60Hz	H	500	11000126SP
1ph/230V/50-60Hz	L	500	11000127SP
3ph/380-480V/50-60Hz	H	500	11000128SP
3ph/380-480V/50-60Hz	L	500	11000129SP

Spare parts Optigo CCB		Article no.	
AC fan motors 230/50/1		ø	
1ph/230V/50-60Hz	H	250	41101624SP
1ph/230V/50-60Hz	L	250	41101625SP
1ph/230V/50-60Hz	H	300	41101647SP
1ph/230V/50-60Hz	L	300	41101453SP
1ph/230V/50-60Hz	H	350	41101629SP
1ph/230V/50-60Hz	L	350	41101630SP
1ph/230V/50-60Hz	H	400	41101276SP
1ph/230V/50-60Hz	L	400	41101492SP
1ph/230V/50-60Hz	H	500	41101635SP
1ph/230V/50-60Hz	L	500	41101636SP
AC fan motors 230-400/50/3		ø	
3ph/230D-400YV/50-60Hz	H	250	41101626SP
3ph/400V/50-60Hz	L	300	41101628SP
3ph/230D-400YV/50-60Hz	H	350	41101631SP
3ph/400V/50-60Hz	H	400	41101215SP
3ph/400V/50-60Hz	H	500	41101637SP
3ph/400V/50-60Hz	L	500	41101638SP
EC fan motors			
1ph/230V/50-60Hz	H/L	250	41101639SP
1ph/230V/50-60Hz	H/L	300	41101640SP
1ph/230V/50-60Hz	H/L	350	41101641SP
1ph/230V/50-60Hz	H/L	400	41101642SP
1ph/230V/50-60Hz	H/L	500	41101643SP
3ph/380-480V/50-60Hz	H/L	500	41101644SP

Spare parts Optigo CC	Article number
Electric defrost heaters (coil & drip tray heater identical)	
Defrost heater CC251-351	41001237SP
Defrost heater CC252-352	41001238SP
Defrost heater CC253-353	41001239SP
Defrost heater CC254-354	41001240SP
Defrost heater CC401	41001241SP
Defrost heater CC402	41001242SP
Defrost heater CC403	41001243SP
Defrost heater CC404	41001244SP
Defrost heater CC501	41001245SP
Defrost heater CC502	41001246SP
Defrost heater CC503	41001247SP
Defrost heater CC504	41001248SP
Electric defrost heater kits (all heaters, connection box & fixing materials)	
KIT defrost heaters CC251AB	11100105SP
KIT defrost heaters CC251C	11100106SP
KIT defrost heaters CC252AB	11100107SP
KIT defrost heaters CC252C	11100108SP
KIT defrost heaters CC253AB	11100109SP
KIT defrost heaters CC253C	11100110SP
KIT defrost heaters CC254AB	11100111SP
KIT defrost heaters CC351AB	11100112SP
KIT defrost heaters CC351C	11100113SP
KIT defrost heaters CC352AB	11100114SP
KIT defrost heaters CC352C	11100115SP
KIT defrost heaters CC353AB	11100116SP
KIT defrost heaters CC353C	11100117SP
KIT defrost heaters CC354AB	11100118SP
KIT defrost heaters CC354C	11100119SP
KIT defrost heaters CC401AB	11100120SP
KIT defrost heaters CC401C	11100121SP
KIT defrost heaters CC402AB	11100122SP
KIT defrost heaters CC402C	11100123SP
KIT defrost heaters CC403AB	11100124SP
KIT defrost heaters CC403C	11100125SP
KIT defrost heaters CC404AB	11100126SP
KIT defrost heaters CC404C	11100127SP
KIT defrost heaters CC501AB	11100128SP
KIT defrost heaters CC501C	11100129SP
KIT defrost heaters CC502AB	11100130SP
KIT defrost heaters CC502C	11100131SP
KIT defrost heaters CC503AB	11100132SP
KIT defrost heaters CC503C	11100133SP
KIT defrost heaters CC504AB	11100134SP
KIT defrost heaters CC504C	11100135SP

Spare parts Optigo CCB	Article number
Electric defrost heaters (coil & drip tray heater identical)	
Defrost heater CCB251-301	41001237SP
Defrost heater CCB252-302	41001238SP
Defrost heater CCB253-303	41001239SP
Defrost heater CCB254-304	41001240SP
Defrost heater CCB351-401	41001241SP
Defrost heater CCB352-402	41001242SP
Defrost heater CCB353-403	41001243SP
Defrost heater CCB354-404	41001244SP
Defrost heater CCB501	41001245SP
Defrost heater CCB502	41001246SP
Defrost heater CCB503	41001247SP
Defrost heater CCB504	41001048SP
Electric defrost heater kits (all heaters, connection box & fixing materials)	
KIT defrost heaters CCB251AB	11100105SP
KIT defrost heaters CCB251C	11100106SP
KIT defrost heaters CCB252AB	11100107SP
KIT defrost heaters CCB252C	11100108SP
KIT defrost heaters CCB253AB	11100109SP
KIT defrost heaters CCB253C	11100110SP
KIT defrost heaters CCB254AB	11100111SP
KIT defrost heaters CCB301AB	11400001SP
KIT defrost heaters CCB301C	11400002SP
KIT defrost heaters CCB302AB	11400003SP
KIT defrost heaters CCB302C	11400004SP
KIT defrost heaters CCB303AB	11400005SP
KIT defrost heaters CCB303C	11400006SP
KIT defrost heaters CCB304AB	11400007SP
KIT defrost heaters CCB304C	11400008SP
KIT defrost heaters CCB351AB	11400009SP
KIT defrost heaters CCB351C	11400010SP
KIT defrost heaters CCB352AB	11400011SP
KIT defrost heaters CCB352C	11400012SP
KIT defrost heaters CCB353AB	11400013SP
KIT defrost heaters CCB353C	11400014SP
KIT defrost heaters CCB354AB	11400015SP
KIT defrost heaters CCB354C	11400016SP
KIT defrost heaters CCB401AB	11100120SP
KIT defrost heaters CCB401C	11100121SP
KIT defrost heaters CCB402AB	11100122SP
KIT defrost heaters CCB402C	11100123SP
KIT defrost heaters CCB403AB	11100124SP
KIT defrost heaters CCB403C	11100125SP
KIT defrost heaters CCB404AB	11100126SP
KIT defrost heaters CCB404C	11100127SP
KIT defrost heaters CCB501AB	11100128SP
KIT defrost heaters CCB501C	11100129SP
KIT defrost heaters CCB502AB	11100130SP
KIT defrost heaters CCB502C	11100131SP
KIT defrost heaters CCB503AB	11100132SP
KIT defrost heaters CCB503C	11100133SP
KIT defrost heaters CCB504AB	11100134SP
KIT defrost heaters CCB504C	11100135SP

Spare parts Optigo CC(B)	Article number	Spare parts Optigo CC(B)	Article number
Fan ring heaters		Drip trays CC	
Fan ring heater P300W - CC(B)250	41001077SP	Drip tray CC251-351	9460085871SP
Fan ring heater P300W - CC (B)300-350	41001071SP	Drip tray CC252-352	9460085873SP
Fan ring heater P350W - CC(B)400	41001066SP	Drip tray CC253-353	9460085875SP
Fan ring heater P450W - CC(B)500	41001067SP	Drip tray CC254-354	9460085877SP
Heater support (4 per heater ring)	60112015SP	Drip tray CC401	9460085779SP
Fan ring heater kits (all heaters, connection box & fixing materials)		Drip tray CC402	9460085781SP
KIT fan ring heater 251	11100136SP	Drip tray CC403	9460085783SP
KIT fan ring heater 252	11100137SP	Drip tray CC404	9460085785SP
KIT fan ring heater 253	11100138SP	Drip tray CC501	9460085935SP
KIT fan ring heater 254	11100139SP	Drip tray CC502	9460085937SP
KIT fan ring heater 301	11400017SP	Drip tray CC503	9460085939SP
KIT fan ring heater 302	11400018SP	Drip tray CC504	9460085941SP
KIT fan ring heater 303	11400019SP	Drip trays CCB	
KIT fan ring heater 304	11400020SP	Drip tray CCB251-301	9460144466SP
KIT fan ring heater 351	11100140SP	Drip tray CCB252-302	9460144467SP
KIT fan ring heater 352	11100141SP	Drip tray CCB253-303	9460144468SP
KIT fan ring heater 353	11100142SP	Drip tray CCB254-304	9460144469SP
KIT fan ring heater 354	11100143SP	Drip tray CCB351-401	9460144509SP
KIT fan ring heater 401	11100144SP	Drip tray CCB352-402	9460144510SP
KIT fan ring heater 402	11100145SP	Drip tray CCB353-403	9460144511SP
KIT fan ring heater 403	11100146SP	Drip tray CCB354-404	9460144512SP
KIT fan ring heater 404	11100147SP	Drip tray CCB501	9460144539SP
KIT fan ring heater 501	11100148SP	Drip tray CCB502	9460144540SP
KIT fan ring heater 502	11100149SP	Drip tray CCB503	9460144541SP
KIT fan ring heater 503	11100150SP	Drip tray CCB504	9460144542SP
KIT fan ring heater 504	11100151SP	Air streamer (draw-through models only)	
		Air streamer for all CC500 models	41199136SP

Alfa Laval in brief

Alfa Laval is a leading global provider of specialized products and engineered solutions.

Our equipment, systems and services are dedicated to helping customers optimize the performance of their processes. Time and time again.

We help our customers to heat, cool, separate and transport products such as oil, water, chemicals, beverages, food-stuffs, starch and pharmaceuticals.

Our worldwide organization works closely with customers in almost 100 countries to help them stay ahead.

How to contact Alfa Laval

Up-to-date contact details for all countries are always available on our corporate website at www.alfalaval.com. You can also download product information and selection software.



Optigo CC

Alfa Laval channel partner

