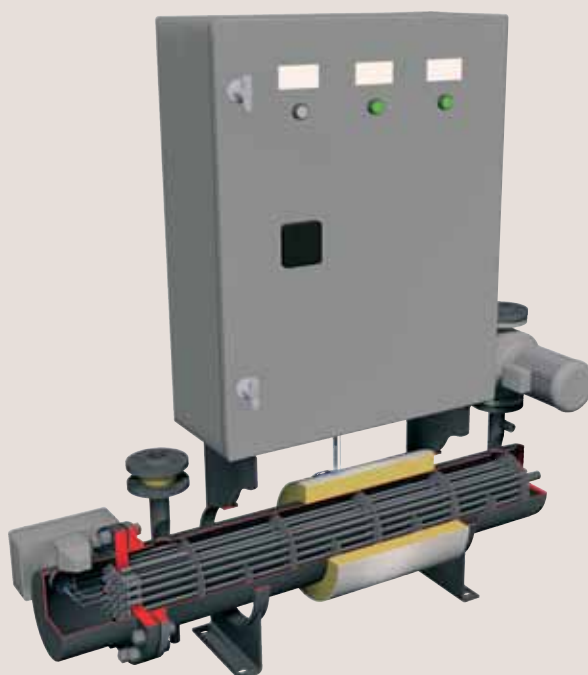




Aalborg EH-U

Electrical water heater for engine jacket cooling water



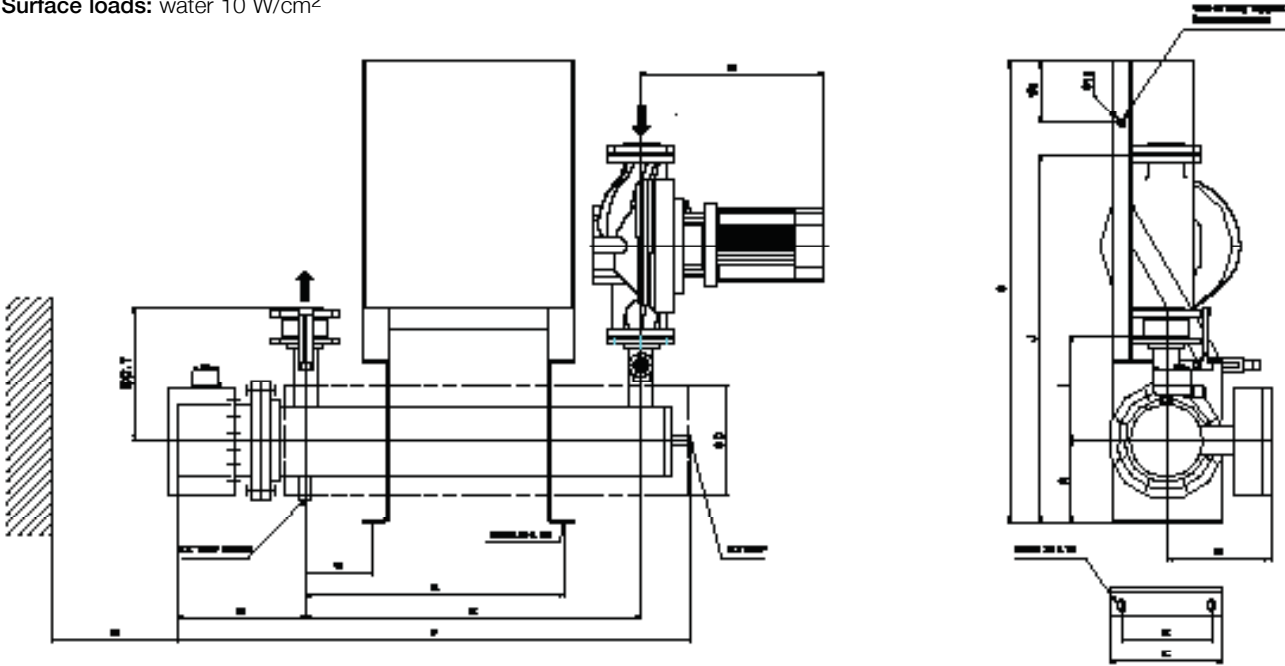
Aalborg EH-U is a flow-through electrical heater unit, ideal for heating of engine jacket cooling water. The preheater's heat load capacities range from 15 to 270 kW, with standard design values of 10 bar(g) and 95°C.

The Aalborg EH-U is installed horizontally and comes as a complete unit with pre-mounted pump, control cabinet, safety valve and non-return valve, ready for installation.

The standard design range of the Aalborg EH-U electrical heater is approved by all major marine classification societies and is CE/ PED approved.



Design pressure: 10 bar(g)
Design temperature: 95°C
Flanges: PN 86030/JIS-16K/EN1092-1
Mounting style: horizontally
Surface loads: water 10 W/cm²



All dimensions are a guideline only.
Dimension drawing will be produced upon request.

Product	EH-U15	EH-U15	EH-U15	EH-U20	EH-U20	EH-U25	EH-U25	EH-U30	EH-U30
Nominal length	1000	1200	1000	1000	1200	1000	1200	1000	1200
Capacity kW	15, 30 kW	54, 72kW	45, 60kW	75, 90kW	108kW	135, 150,	162, 180kW	210, 225kW	252, 270kW
A	200	200	200	250	250	250	250	250	250
B	220	220	220	220	220	220	220	220	220
C	270	270	270	270	270	270	270	270	270
ØD	ø270	ø270	ø270	ø325	ø325	ø380	ø380	ø425	ø425
E	820	1020	920	1111	1111	1135	1135	1420	1420
F	1253	1453	1353	1567	1567	1611	1611	1912	1912
G	1000	1200	1000	1000	1200	1000	1200	1000	1200
H	312	312	312	314	314	324	324	324	324
I	254	254	254	280	280	307	307	332	332
J	897	897	897	968	968	1034	1034	1059	1059
K	739	839	839	1016	1016	1026	1026	1286	1286
N	255	255	255	275	275	300	300	335	335
R	448	448	448	448	448	487	487	447	447
S	1125	1235	1235	1423	1423	1625	1625	1825	1825/2225**
T	320	320	320	352	352	390	390	415	415
U	163	163	163	138	138	138	138	198	198
Connections	DN40/50*	DN40/50*	DN40/50*	DN50	DN50	DN65	DN65	DN65	DN65
Pump flow [m ³ /h]	15	15	15	20	20	30	30	30	30

Dimensions in mm

KW values at 3x400v or 3x440v or 3x6

* DN 40 for 440V - DN 50 for 400V

** EH-U30, 270kW 400V/50Hz

MDD00264EN 1508

How to contact Alfa Laval

Contact details for all countries are continually updated on our website. Please visit www.alfalaval.com or e-mail to aalborgheaters@alfalaval.com to access the information.